

Location: \_\_\_\_\_



# FPVB

# PRESSURE VACUUM BREAKER

**Specification:** Pressure Vacuum Breakers prevent the reverse flow of polluted water from entering the potable water supply due to backsiphonage. Designed for use under continuous pressure. Assembly shall provide protection where a potential health hazard exists. It shall consist of a lead free bronze body, plastic check valve seat, stainless steel springs, a bonnet with rubber O-ring seal, rubber check valve disc, a lightweight plastic disc float, handles to shutoff water flow to the valve, and test cocks for winterization, draining, and testing.

**Ratings:**

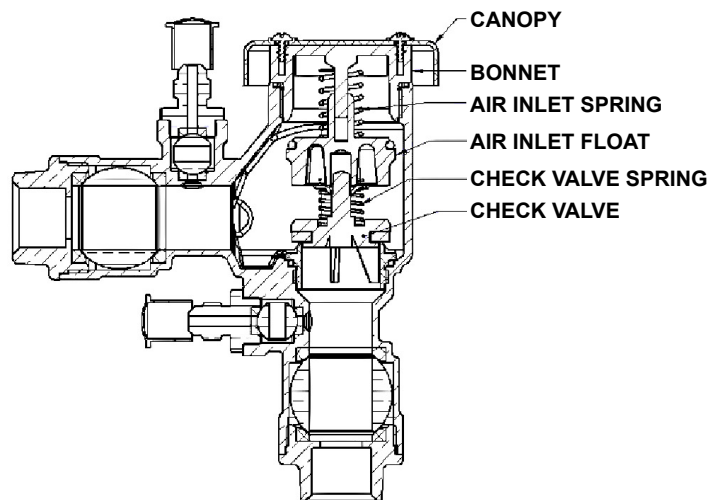
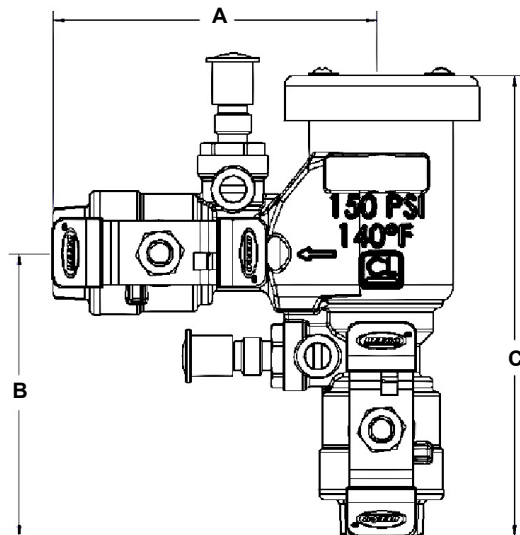
- Maximum working water pressure 150 PSI.
- Maximum working water temperature 140° F.
- Hydrostatic test pressure 300 PSI.

**Materials:**

- Main valve body: Cast bronze lead free C87800
- Fasteners: 300/400 Series Stainless Steel
- Elastomers: Silicone (FDA approved), EPDM (FDA approved)
- Polymers: POM Acetal Copolymer, 30% glass-filled Noryl®

**Features:** Vacuum breakers are not intended for protection against backpressure. For protection against backpressure, install a BEECO FRP Reduced Pressure Zone Backflow Assembly. The valve must be installed with the supply connected to the bottom and in a vertical position. The valve should not be installed where spillage will cause damage. Be sure adequate space is provided for yearly testing and service as required by your local codes and standards. The FPVB should not be installed in an area where freezing can cause damage.

## LEAD FREE



The wetted surface of this product contacted by consumable water contains less than 0.25% of lead by weight.

\*IAPMO listed to ASSE 1056 and CSA B64.1.3

Model No.	Size	A	B	C
FPVB.50-QT-LL	1/2" (13)	3.88" (99)	3.34" (85)	5.53" (140)
FPVB.75-QT-LL	3/4" (19)	3.88" (99)	3.34" (85)	5.53" (140)
FPVB1.00-QT-LL	1" (25)	4.17" (106)	3.92" (100)	6.11" (155)

CALIFORNIA PROPOSITION 65 WARNING. This product contains chemicals known to the State of California to cause cancer and birth defects or other reproductive harm.

Job Name: \_\_\_\_\_ Page No: \_\_\_\_\_  
 Section No: \_\_\_\_\_ Contractor: \_\_\_\_\_  
 Schedule No: \_\_\_\_\_ Purchase Order No: \_\_\_\_\_

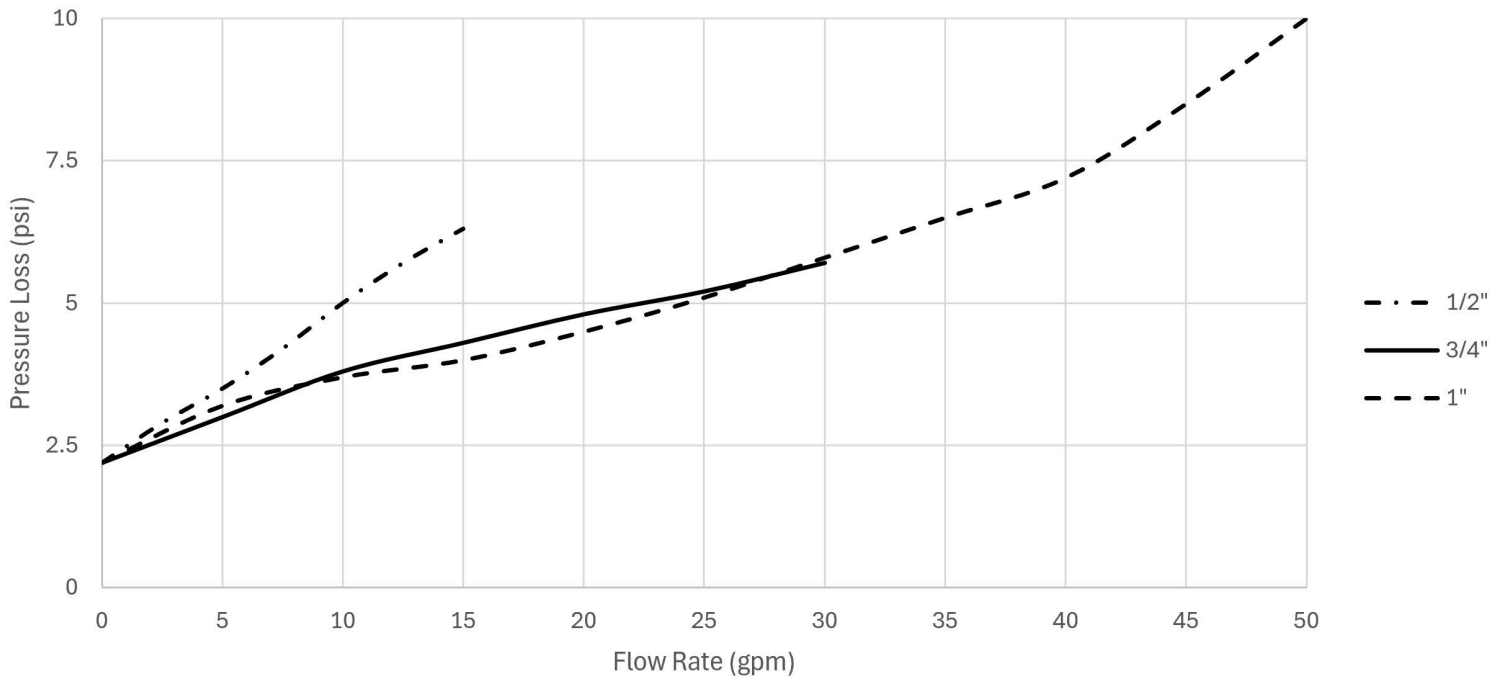
Location: \_\_\_\_\_



**FPVB**

**PRESSURE VACUUM BREAKER**

FPVB Pressure Loss v. Flow Rate



CALIFORNIA PROPOSITION 65 WARNING. This product contains chemicals known to the State of California to cause cancer and birth defects or other reproductive harm.

Job Name: \_\_\_\_\_ Page No: \_\_\_\_\_

Section No: \_\_\_\_\_ Contractor: \_\_\_\_\_

Schedule No: \_\_\_\_\_ Purchase Order No: \_\_\_\_\_