

Location: _____



T250

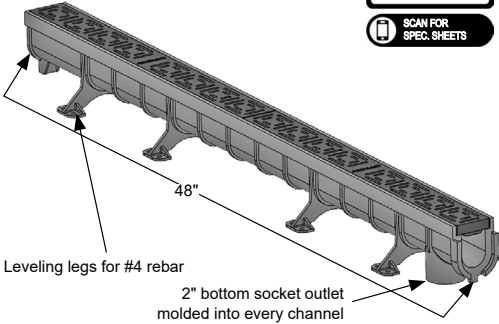
**2" INTERNAL WIDTH,
3" DEEP CHANNEL AND GRATES**

Specification: MIFAB® Series T250, 2" internal width, 3" deep, 48" long, non sloped channel with two 24" long HDPE grates. Channel is manufactured from gray UV-10 stabilized High Density Polyethylene (H.D.P.E.). Each channel has leveling legs for #4 rebar tie down and leveling. Channels have interlocking ends to connect to each other. 2" bottom socket outlet molded into every channel. 2" No Hub end outlet and end cap are available.

Flanged ends to connect bodies together



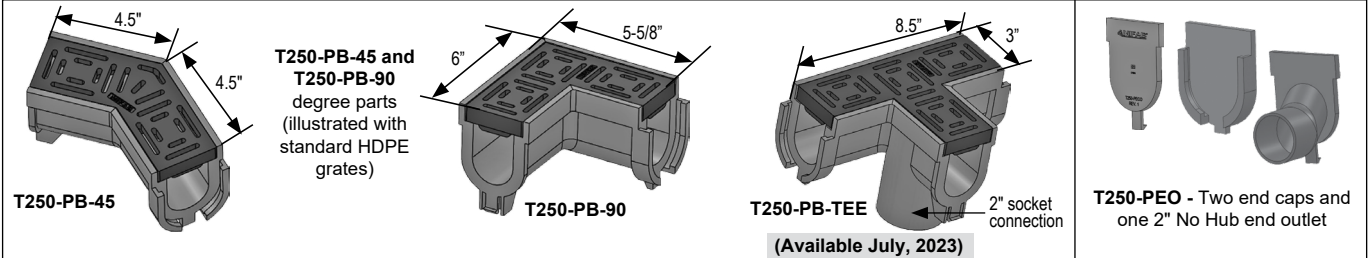
SCAN FOR SPEC. SHEETS



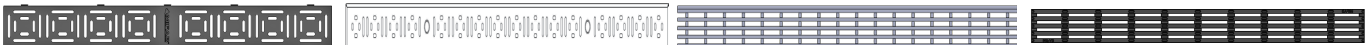
MODEL NUMBER	Description
T250-PB-BO	2" internal width, High Density Polyethylene (H.D.P.E.) channel with two 24" long HDPE grates and 2" bottom socket outlet.

Grates	
Part Number	Description
-PGD-4-ADA	Ductile iron longitudinal grate - Class D, 24" long
-PGA-3-DA	Stainless Steel, Decorative grate - Class A, 48" long
-PGA-3-WW	Stainless Steel, Wedgewire grate - Class A, 48" long
End Caps / Outlets / Accessories	
Part Number	Description
-PEO	Two end caps and one 2" No Hub end outlet (3 pieces in total)
MI-FLEX-200	2" Flexible rubber coupling to connect 2" No Hub end outlet to drainage pipe

45° and 90° Degree Fabrications	
Part Number	Description
-PB-45-HPP	45° Degree Channel Section with HDPE grate, Class A
-PB-90-HPP	90° Degree Channel Section with HDPE grate, Class A
-PB-TEE-HPP	Tee Channel Section with HDPE grate, Class A (Available July, 2023)
-PB-45-3-DA	45° Degree Channel Section with Stainless Steel, Decorative grate, Class A
-PB-90-3-DA	90° Degree Channel Section with Stainless Steel, Decorative grate, Class A
-PB-TEE-3-DA	Tee Channel Section with Stainless Steel, Decorative grate, Class A (Available July, 2023)
-PB-45-3-WW	45° Degree Channel Section with Stainless Steel, Wedgewire grate, Class A
-PB-90-3-WW	90° Degree Channel Section with Stainless Steel, Wedgewire grate, Class A
-PB-TEE-3-WW	Tee Channel Section with Stainless Steel, Wedgewire grate, Class A (Available July, 2023)



Grates for T250 Trench Drain System



T250-PGA-HPP (2 required per channel)

T250-PGA-3-DA

T250-PGA-3-WW

T250-PGD-4-ADA

Grate Part Number	Suffix	Description	Material	Weight (lbs./ft.)	Length	Free Area (sq. in. per ft.)	Slot Width / Hole Size	ADA	Load Ratings			
									DIN	ANSI	H-20	FAA
T250-PGA-HPP	-HPP	Decorative	H.D.P.E.	0.70	24"	9.00	0.25"	Yes	A	Light Duty	No	No
T250-PGA-3-DA	-DA	Decorative	Stainless Steel	1.30	48"	11.00	0.25"	Yes	A	Light Duty	No	No
T250-PGA-3-WW	-WW	Wedgewire	Stainless Steel	1.25	48"	18.00	0.25"	Yes	A	Light Duty	No	No
T250-PGD-4-ADA	-PGD-4-ADA	Longitudinal	Ductile Iron	5.00	24"	11.00	0.25"	Yes	D	Extra Heavy Duty	No	No

CALIFORNIA PROPOSITION 65 WARNING. This product contains chemicals known to the State of California to cause cancer and birth defects or other reproductive harm.

Job Name: _____ Page No: _____

Section No: _____ Contractor: _____

Schedule No: _____ Purchase Order No: _____

MIFAB reserves the right to make changes in material and design without formal notice and obligation.

USA: 1-800-465-2736 www.mifab.com CAN: 1-800-387-3880

2026-04-10