

Location: \_\_\_\_\_



**DS**

**DUCT SUPPORT SERIES**

- DS Duct Support Series
- Non-penetrating rooftop support
- Designed to support HVAC ductwork
- Fixed dimensions for quick installation
- Double CXP2 bases for increased stability
- Includes 4-hole 90° fittings for crossbeam support
- 8-hole wing fittings connect vertical struts to the bases
- Suitable for most types of roofing materials or other flat surfaces
- Strut is available in corrosion-resistant galvanized steel, stainless steel, or aluminum

**CONSULT WITH A ROOFING CONSULTANT FOR ALLOWABLE LOADS.**

LIMITED LIFETIME WARRANTY  
MAY QUALIFY FOR L.E.E.D. CREDITS  
RECOMMENDED SPACING: REFER TO LOCAL CODE



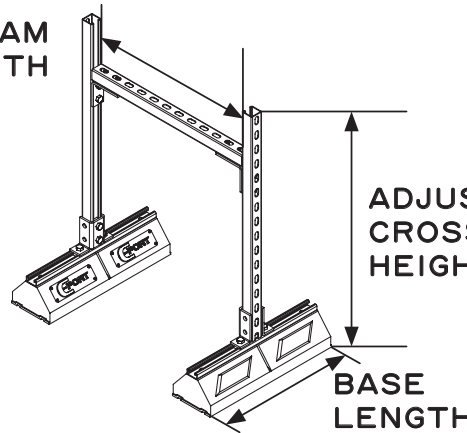
**MATERIALS**

**BASE:** (C-PORT CXP2)  
100% RECYCLED RUBBER UV RESISTANT

**STRUT:**  
14-GAUGE GALVANIZED STEEL STRUT  
(13/16" HIGH)

**CROSSBEAM AND VERTICAL STRUT:**  
12-GAUGE GALVANIZED STEEL STRUT  
(1 5/8" WIDE X 1 5/8" HIGH)

CROSSBEAM WIDTH



SCAN FOR V-SPEC VIDEO SPECIFICATION



MODEL NO.	CROSSBEAM HEIGHT	CROSSBEAM WIDTH	BASE LENGTH	WEIGHT	MAX. UNIFORM LOAD
<b>DS20-3624</b>	Up to 36" (914 mm)	24" (610 mm)	19.3" (490 mm)	44.2 lbs.	1400 lbs.
<b>DS20-3640</b>	Up to 36" (914 mm)	40" (1016 mm)	19.3" (490 mm)	46.6 lbs.	850 lbs.
<b>DS20-4840</b>	Up to 48" (1219 mm)	40" (1016 mm)	19.3" (490 mm)	50.2 lbs.	850lbs.

Note: All measurements may vary by +/- 3%

CALIFORNIA PROPOSITION 65 WARNING. This product contains chemicals known to the State of California to cause cancer and birth defects or other reproductive harm.

Job Name: \_\_\_\_\_  
Section No: \_\_\_\_\_  
Schedule No: \_\_\_\_\_

Page No: \_\_\_\_\_  
Contractor: \_\_\_\_\_  
Purchase Order No: \_\_\_\_\_