

Location: _____



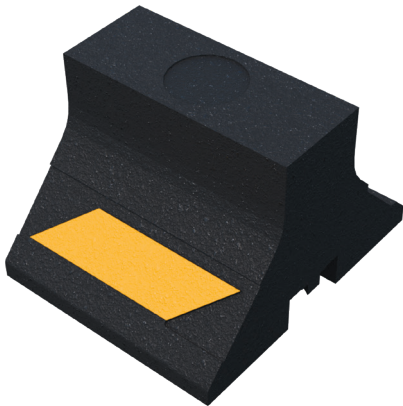
CXM

MINI RUBBER SUPPORT

- CXM Rubber Base Support Series
- Non-penetrating rooftop support
- Designed to support small piping and a wide range of rooftop applications
- Suitable for most types of roofing materials or other flat surfaces
- Accepts screw fasteners for straps and/or clamps (sold and supplied by others)

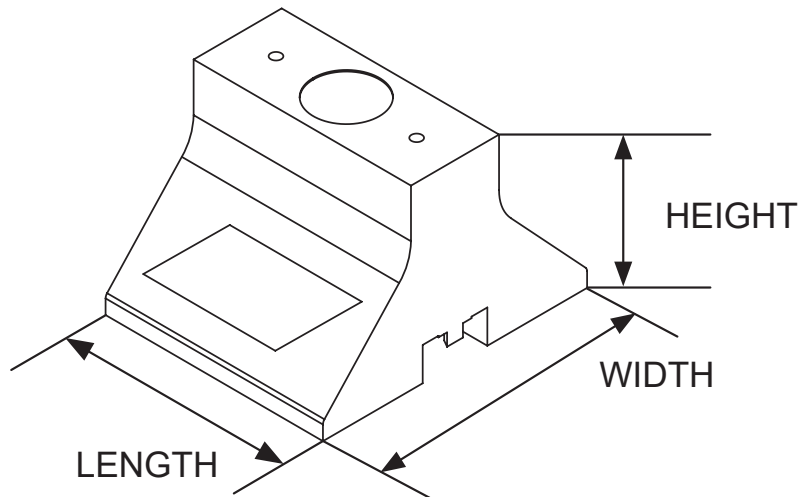
CONSULT WITH A ROOFING CONSULTANT FOR ALLOWABLE LOADS.

**LIMITED LIFETIME WARRANTY
MAY QUALIFY FOR L.E.E.D. CREDITS RECOMMENDED
SPACING: REFER TO LOCAL CODE**



MATERIALS

BASE:
100% RECYCLED RUBBER
UV RESISTANT



SCAN FOR V-SPEC VIDEO SPECIFICATION



MODEL NO.	HEIGHT	WIDTH	LENGTH	WEIGHT	MAX. LOAD
CXM	4" (102 mm)	6" (152 mm)	5" (127 mm)	2.3 lbs.	200 lbs.
CXM20	4" (102 mm)	6" (152 mm)	10" (254 mm)	4.7 lbs.	400 lbs.

Note: All measurements may vary by +/- 3%

CALIFORNIA PROPOSITION 65 WARNING. This product contains chemicals known to the State of California to cause cancer and birth defects or other reproductive harm.

Job Name: _____ Page No: _____

Section No: _____ Contractor: _____

Schedule No: _____ Purchase Order No: _____

MIFAB reserves the right to make changes in material and design without formal notice and obligation.

USA: 1-800-465-2736 www.mifab.com CAN: 1-800-387-3880