

Location: \_\_\_\_\_



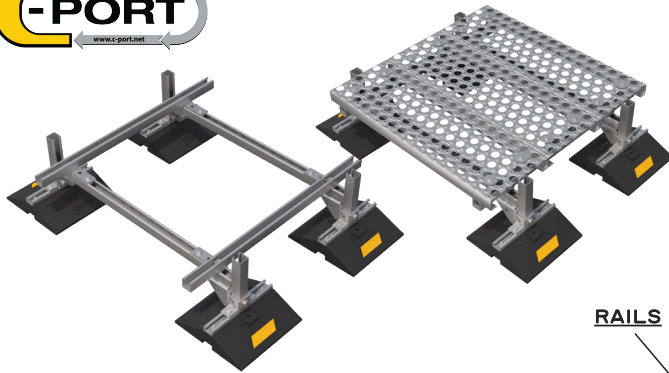
**CMPW-HD**

**HEAVY DUTY MECHANICAL PLATFORMS**

- CMPW-HD Platform Heavy Duty Series
- Non-penetrating rooftop support
- Provides elevated support for mechanical units on rooftops and other surfaces
- Platform frames are available with rails or with a "D" deck — (12" x 2" x 13-GA steel grating)
- Fully customizable to project dimensions
- Suitable for most types of roofing materials or other flat surfaces
- Strut is available in corrosion-resistant galvanized steel, stainless steel, or aluminum

**CONSULT WITH A ROOFING CONSULTANT FOR ALLOWABLE LOADS.**

LIMITED LIFETIME WARRANTY  
MAY QUALIFY FOR L.E.E.D. CREDITS  
RECOMMENDED SPACING: REFER TO LOCAL CODE



SCAN FOR V-SPEC VIDEO SPECIFICATION

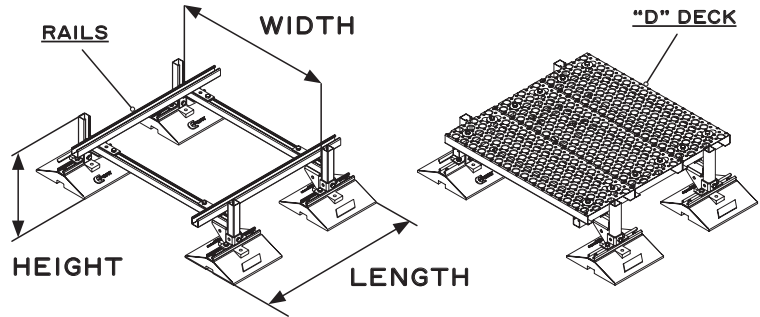


**MATERIALS**

BASE: (C-PORT CXW12)  
100% RECYCLED RUBBER UV RESISTANT

STRUT:  
14-GAUGE GALVANIZED STEEL STRUT  
(13/16" HIGH)

PLATFORM:  
GALVANIZED STEEL



MODEL NO.	HEIGHT	WIDTH	LENGTH	# OF BASES	WEIGHT	MAX. UNIFORM LOAD (PLATFORM)
CMPW-HD-363612-4	12" (305 mm)	36" (914 mm)	36" (914 mm)	4	86.7 lbs.	2,350 lbs.
CMPW-HD-363612-4D	12" (305 mm)	36" (914 mm)	36" (914 mm)	4	126.9 lbs.	2,350 lbs.
CMPW-HD-484812-4	12" (305 mm)	48" (1219 mm)	48" (1219 mm)	4	95.2 lbs.	1,670 lbs.
CMPW-HD-484812-4D	12" (305 mm)	48" (1219 mm)	48" (1219 mm)	4	172 lbs.	1,670 lbs.
CMPW-HD-606012-6	12" (305 mm)	60" (1524 mm)	60" (1524 mm)	6	144.4 lbs.	2,000 lbs.
CMPW-HD-606012-6D	12" (305 mm)	60" (1524 mm)	60" (1524 mm)	6	262.5 lbs.	2,000 lbs.
CMPW-HD-487212-6	12" (305 mm)	48" (1219 mm)	72" (1829 mm)	6	142.4 lbs.	2,500 lbs.
CMPW-HD-487212-6D	12" (305 mm)	48" (1219 mm)	72" (1829 mm)	6	257.7 lbs.	2,500 lbs.

Note: All measurements may vary by +/- 3%

CALIFORNIA PROPOSITION 65 WARNING. This product contains chemicals known to the State of California to cause cancer and birth defects or other reproductive harm.

Job Name: \_\_\_\_\_ Page No: \_\_\_\_\_  
 Section No: \_\_\_\_\_ Contractor: \_\_\_\_\_  
 Schedule No: \_\_\_\_\_ Purchase Order No: \_\_\_\_\_