

Location: _____



CEW

WIDEBODY EXTENSION SERIES

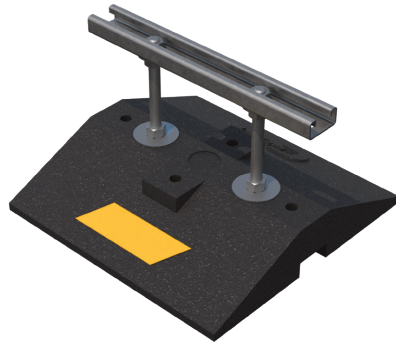
- CEW Channel Support (Extension) Series
- Non-penetrating rooftop support
- Adjustable height from 3.5" to 24"
- Ideal for sloped pipe installations
- Designed to support gas and refrigeration piping, HVAC equipment, and multiple-line rooftop systems
- Suitable for most types of roofing materials or other flat surfaces
- Accepts various straps and/or clamps (sold and supplied by others)
- Strut is available in corrosion-resistant galvanized steel, stainless steel, or aluminum

CONSULT WITH A ROOFING CONSULTANT FOR ALLOWABLE LOADS.

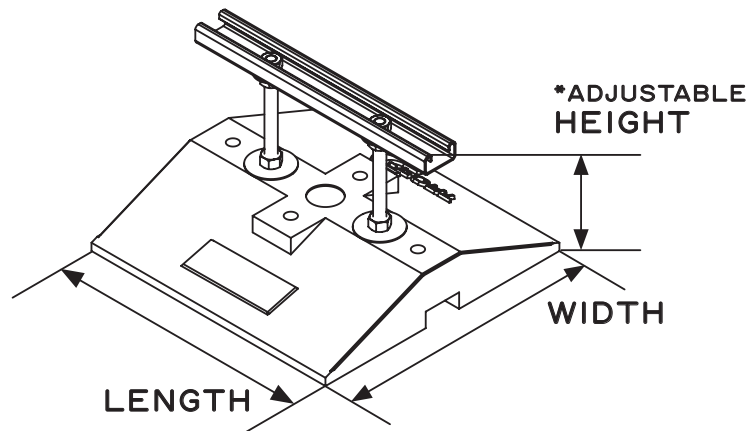
LIMITED LIFETIME WARRANTY
MAY QUALIFY FOR L.E.E.D. CREDITS
RECOMMENDED SPACING: REFER TO LOCAL CODE



Installation Instructions: The rubber bases can be directly placed on approved roof surfaces. Adjust the crossbeam by loosening the nuts and adjust the strut to desired height and re-tighten nuts. Space the bases according to local plumbing/gas code.



SCAN FOR V-SPEC VIDEO SPECIFICATION



MATERIALS

BASE: (C-PORT CXW12) 100% RECYCLED RUBBER UV RESISTANT

STRUT: 14-GAUGE GALVANIZED STEEL STRUT (13/16" HIGH)

ROD: TWO 1/2"-13" ZINC PLATED ALL THREADED ROD RISERS

MODEL NO.	HEIGHT	WIDTH	LENGTH	WEIGHT	MAX. LOAD
CEW12-8	8" (203 mm)	12" (305 mm)	12" (305 mm)	11.5 lbs.	800 lbs.
CEW12-12	12" (305 mm)	12" (305 mm)	12" (305 mm)	11.9 lbs.	800 lbs.
CEW12-16	16" (406 mm)	12" (305 mm)	12" (305 mm)	12.3 lbs.	800 lbs.
CEW12-24	24" (610 mm)	12" (305 mm)	12" (305 mm)	13.2 lbs.	800 lbs.

Note: All measurements may vary by +/- 3%

CALIFORNIA PROPOSITION 65 WARNING. This product contains chemicals known to the State of California to cause cancer and birth defects or other reproductive harm.

Job Name: _____ Page No: _____
 Section No: _____ Contractor: _____
 Schedule No: _____ Purchase Order No: _____