

Location: _____



CESHW

WIDEBODY HEAVY LOAD SERIES

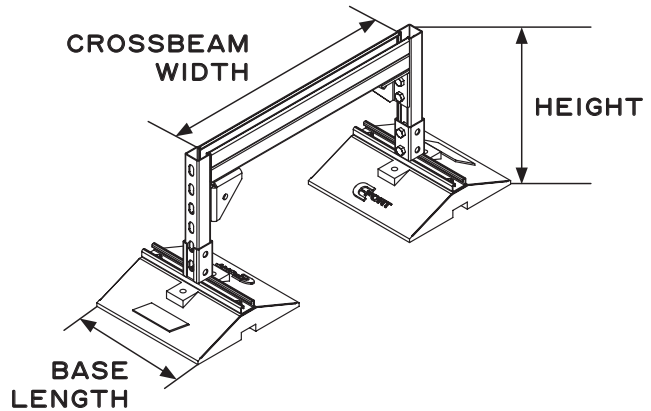
- CESHW Heavy Duty Series
- Non-penetrating rooftop support
- Provides elevated support for heavy load-bearing applications
- Designed to support gas and refrigeration piping, HVAC equipment, and multiple-line rooftop systems
- Suitable for most types of roofing materials or other flat surfaces
- Accepts various straps and/or clamps (sold and supplied by others)
- Strut is available in corrosion-resistant galvanized steel, stainless steel, or aluminum

CONSULT WITH A ROOFING CONSULTANT FOR ALLOWABLE LOADS.

LIMITED LIFETIME WARRANTY
MAY QUALIFY FOR L.E.E.D. CREDITS
RECOMMENDED SPACING: REFER TO LOCAL CODE



SCAN FOR V-SPEC VIDEO SPECIFICATION



MATERIALS

BASE: (C-PORT CXW12)
100% RECYCLED RUBBER UV RESISTANT

STRUT:
14-GAUGE GALVANIZED STEEL STRUT (13/16" HIGH)

CROSSBEAM AND VERTICAL STRUT:
12-GAUGE GALVANIZED STEEL STRUT
(1 5/8" WIDE X 3 1/4" HIGH) - CROSSBEAM
(1 5/8" WIDE X 1 5/8" HIGH) - VERTICAL STRUT

MODEL NO.	HEIGHT	CROSSBEAM WIDTH	BASE LENGTH	WEIGHT	MAX. UNIFORM LOAD
CESHW12-1624	16" (406 mm)	24" (610 mm)	12" (305 mm)	38.4 lbs.	2800 lbs.
CESHW12-1636	16" (406 mm)	36" (914 mm)	12" (305 mm)	42.2 lbs.	2800 lbs.

Note: All measurements may vary by +/- 3%

CALIFORNIA PROPOSITION 65 WARNING. This product contains chemicals known to the State of California to cause cancer and birth defects or other reproductive harm.

Job Name: _____ Page No: _____
 Section No: _____ Contractor: _____
 Schedule No: _____ Purchase Order No: _____