

Location: _____



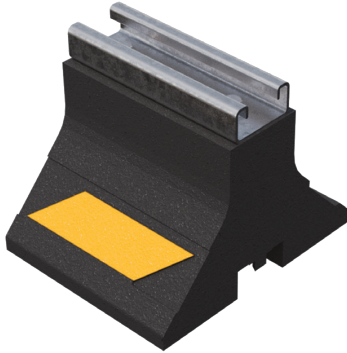
C5

SMALL RUBBER SUPPORT SERIES

- C5 Channel Support Series
- Non-penetrating rooftop support
- Designed to support small piping and a wide range of rooftop applications
- Suitable for most types of roofing materials or other flat surfaces
- Accepts various straps and/or clamps (sold and supplied by others)
- Strut is available in corrosion-resistant galvanized steel, stainless steel, or aluminum

CONSULT WITH A ROOFING CONSULTANT FOR ALLOWABLE LOADS.

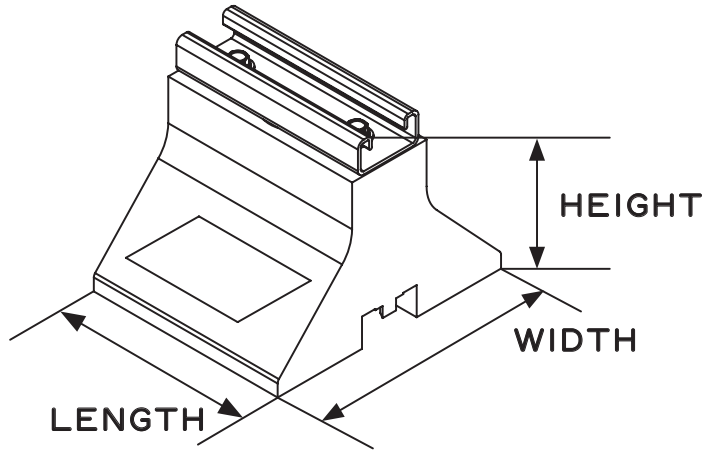
LIMITED LIFETIME WARRANTY
MAY QUALIFY FOR L.E.E.D. CREDITS
RECOMMENDED SPACING: REFER TO LOCAL CODE



MATERIALS

BASE: (C-PORT CXM)
100% RECYCLED RUBBER UV RESISTANT

STRUT:
14-GAUGE GALVANIZED STEEL STRUT
(13/16" HIGH)



SCAN FOR V-SPEC VIDEO SPECIFICATION



MODEL NO.	HEIGHT	WIDTH	LENGTH	WEIGHT	MAX. LOAD
C5	4.8" (122 mm)	6" (152 mm)	5" (127 mm)	2.8 lbs.	300 lbs.

Note: All measurements may vary by +/- 3%

CALIFORNIA PROPOSITION 65 WARNING. This product contains chemicals known to the State of California to cause cancer and birth defects or other reproductive harm.

Job Name: _____ Page No: _____
 Section No: _____ Contractor: _____
 Schedule No: _____ Purchase Order No: _____