

Location: _____

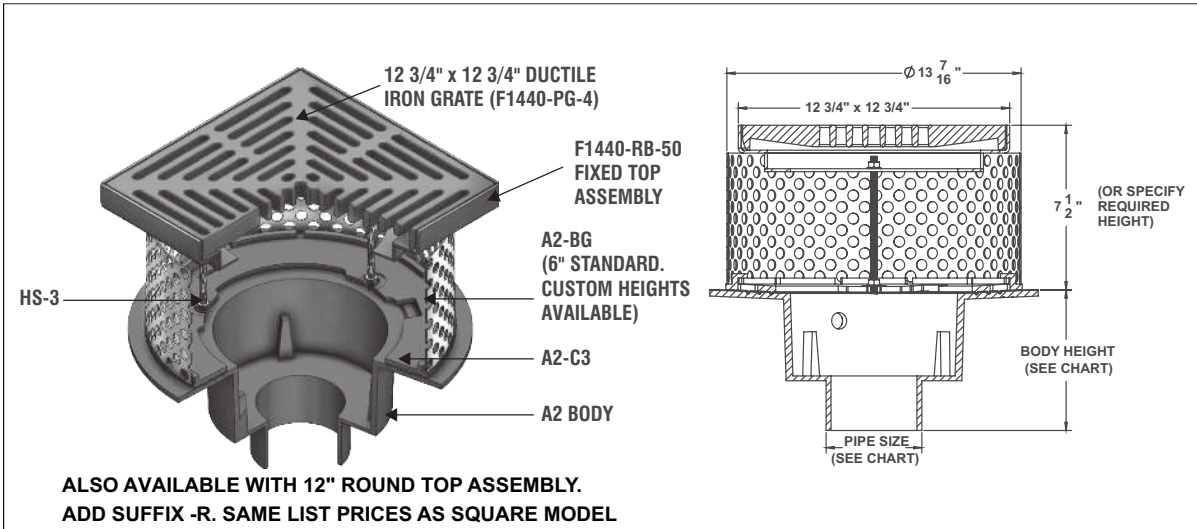


R1200-RB

LARGE SUMP PROMENADE DECK DRAIN WITH ADJUSTABLE EXTENSION AND 12 3/4" x 12 3/4" SECURED TOP ASSEMBLY

Specification: MIFAB® Series R1200-RB lacquered cast iron deep sump deck drain with anchor flange, weepholes, and adjustable perforated stainless steel extension with standard 1" (25) thick, 12 3/4" (400) square, (specify material finish) tractor grate.

Function: Used in warehouses, mechanical rooms, parking garages, promenade decks and other finished areas. Adjustable, perforated, ballast guard provides extension to meet the finished floor height and permits the drainage of water. 12 3/4" square, adjustable tractor grate is used with all types of poured finished floors.



PARTS:

-  A2 BODY
-  A2-BG
-  F1440-RB-50
-  A2-C3
-  HS-1
-  HS-3

MODEL NUMBER	WEIGHT (LBS.)	PIPE SIZE: NO HUB (STANDARD)
R1202,3,4-RB	52.75	2", 3", 4"
R1205,6-RB	55.00	5", 6"
R1208-RB	57.00	8"

- SUFFIX OPTIONAL VARIATIONS**
- P Push on outlet (2",3",4",5", 6")*
 - T Threaded outlet (2",3",4",5" or 6")
 - U Underdeck Clamp (A2-C3) (A368-DC for 8")
 - U3 Underdeck Clamp with cut away side(A2-C3-C0)
 - X Inside caulk outlet (2",3",4",5" or 6")
 - Z Extended wide flange on body (20" Dia.x 1/4 thick)
 - 1 Ductile Iron with Nickle Bronze (Veneer)
 - 3 Ductile Iron with Stainless Steel (Veneer)
 - 5 Cast iron sediment bucket

CALIFORNIA PROPOSITION 65 WARNING. This product contains chemicals known to the State of California to cause cancer and birth defects or other reproductive harm.

Job Name: _____ Page No: _____
 Section No: _____ Contractor: _____
 Schedule No: _____ Purchase Order No: _____