

Location: _____

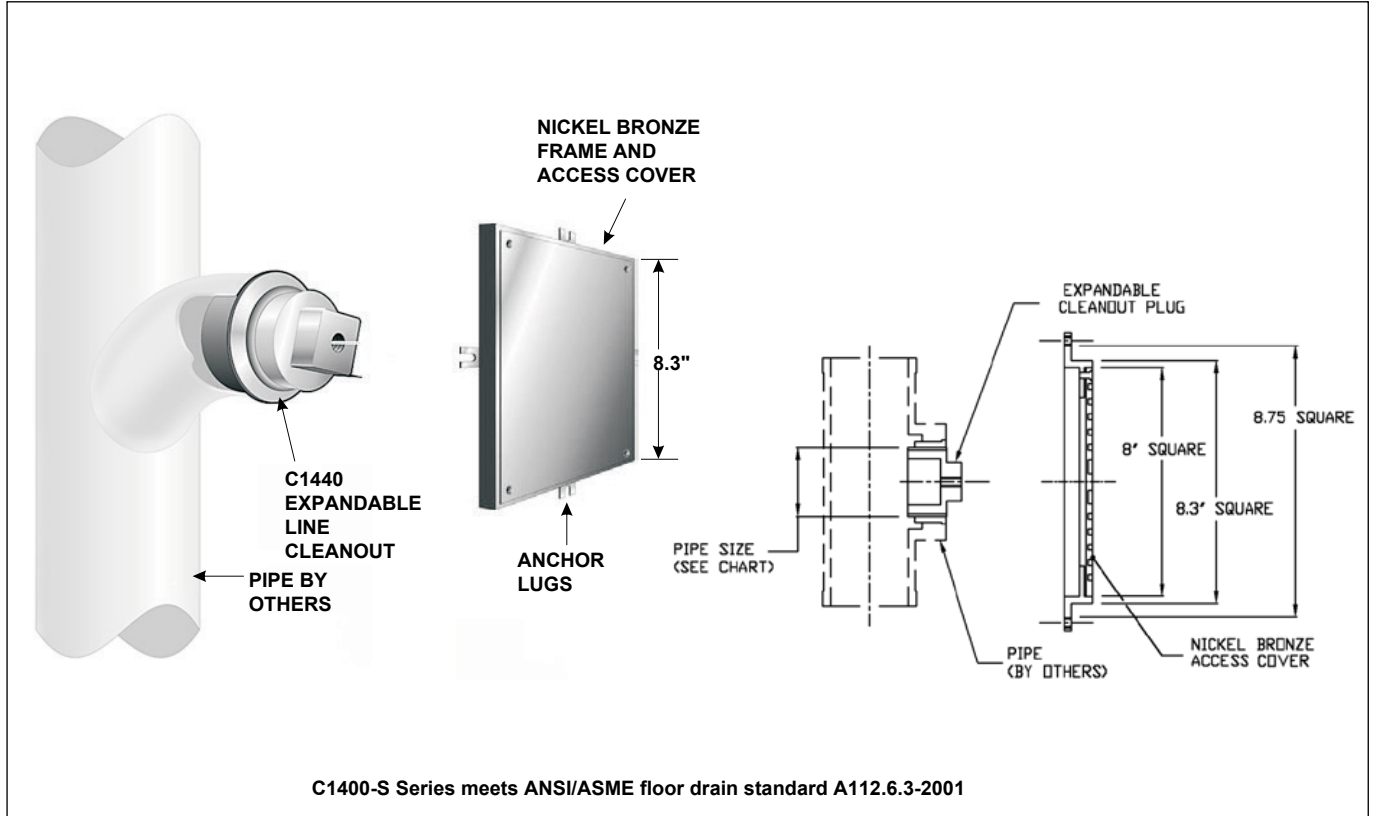


C1440-S

EXPANDABLE LINE CLEANOUT WITH SQUARE, NICKEL BRONZE WALL ACCESS PANEL

Specification: MIFAB Series C1440-S (select model number with required plug pipe size) expandable line cleanout plug with tapping and 7" x 7" square, smooth nickel bronze access panel with allen key screws and anchor frame with mounting lugs.

Function: Typically installed flush into walls during wall construction to cover and access cleanout plugs installed in the drainage pipe. The square access panel design is ideal to adapt with adjacent walls, floors and ceilings that are finished with a straight line design. Plug will expand into pipe opening as tightened. Tapping in plug can receive bolt from wall cleanout plate.



MODEL NUMBER	PIPE SIZE
C1441.5-S7-1	1 ½" (38)
C1442-S7-1	2" (51)
C1443-S7-1	3" (76)
C1444-S7-1	4" (102)

Suffix	Description
-3	Stainless steel access cover
-6	Security screw (H-1086A)
-95	Client logo
-BA	Minimum 51% material cost made in the USA
-PA	Pennsylvania Steel Act compliant product

CALIFORNIA PROPOSITION 65 WARNING. This product contains chemicals known to the State of California to cause cancer and birth defects or other reproductive harm.

Job Name: _____ Page No: _____
 Section No: _____ Contractor: _____
 Schedule No: _____ Purchase Order No: _____