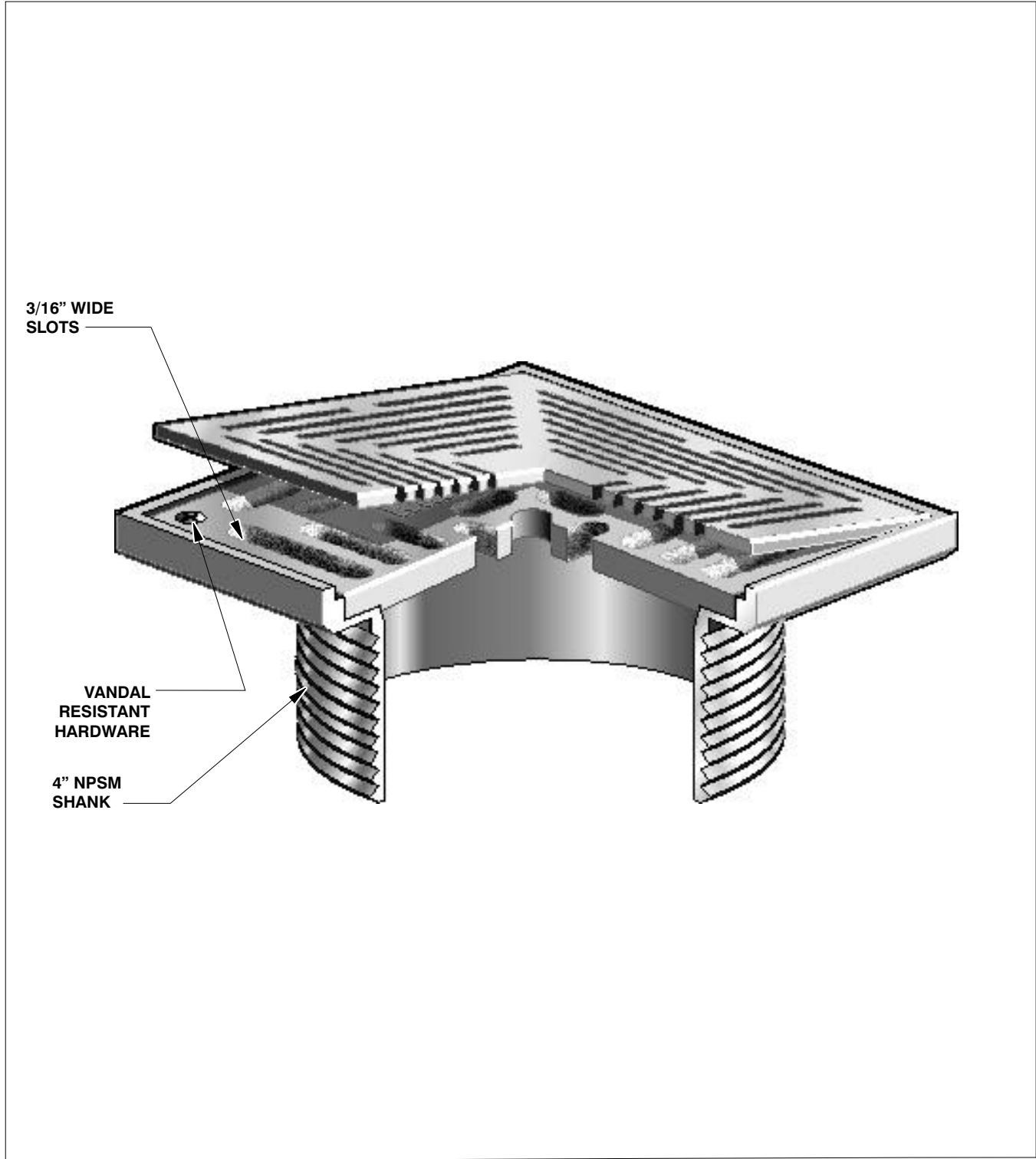


Specification: MIFAB® Series SD6, 6"x6" reinforced square nickel bronze strainer with solid hinged cover, with a free area of 12 IN², and a load rating between 5000 to 7499 lbs. Also available in stainless steel (-3).



Job Name: _____	Page No: _____
Section No: _____	Contractor: _____
Schedule No: _____	Purchase Order No: _____