

Location: _____

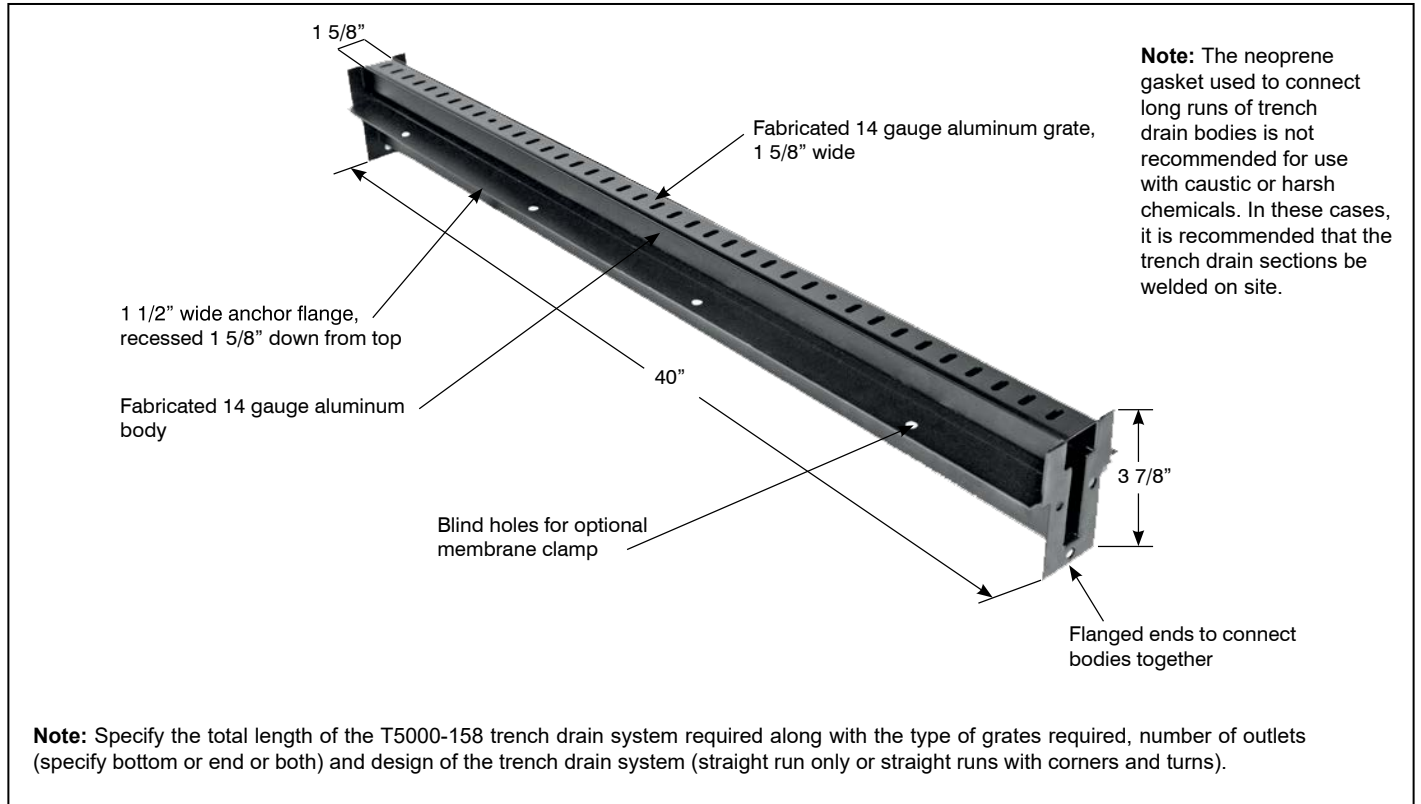


T5000-158

1 5/8" WIDE, 3-7/8" DEEP ALUMINUM TRENCH DRAIN BODY AND GRATE

Specification: MIFAB® Series T5000-158, 1 5/8" wide, 3 7/8" deep, 40" long, (or length as needed), non sloped trench drain system. Body is manufactured from 14 gauge aluminum and has a 1 1/2" wide anchor flange on each side recessed 1 5/8" down from the top. Bodies have flanged ends to connect to each other with a neoprene rubber gasket in between. Grates are manufactured from 14 gauge aluminum and are supplied with grate lockdown hardware for each grate to secure to the body. End and bottom outlets are available in 2" no hub outlet connections and are fabricated as part of the trench drain system. Available with membrane clamps (Suffix -C) as required.

Function: Used around pool, residential and landscaped areas that require surface drainage in shallow (only 3" 7/8" deep) excavations. The lightweight body aluminium body provides for long life. An infinite number of body sections can be assembled together to serve any requirement. 45 and 90 degree body sections are available. Compatible with vapor barrier applications.



Grates (all 40" long. One grate required per body section)	
Suffix	Description
-A	Aluminum decorative slotted grate - Class A
-BA	Buy American Act compliant product
-PA	Pennsylvania Steel Act compliant product
-7MG	MI-GARD trap seal protection device (available for 1-1/2", 2", 3", 3-1/2", 4" and 6" outlet connections)
-AWG	Aluminum wire grate - Class A
-SSDA	Stainless steel, Decorative grate - Class A
-FSGA	Galvanized Steel, fabricated slotted grate - Class A
End caps / Outlets	
-PEC	Closed end cap
-PEO2	2" no hub end outlet
-PBO2	2" no hub bottom outlet

Accessories and 45 and 90 Degree Fabrications	
-PGLVP	1 1/2" long vandal resistant grate lockdown hardware (1 per body section - for each grate)
Standard	5/16-18 x 2" Zinc Coated Bolts (2 per package) - for grate lockdown
-SSB	5/16-18 x 2" Stainless Steel Bolts (2 per package) - for grate lockdown
-45	45 Degree Body Section
-90	90 Degree Body Section
-45G	45 Degree aluminum, slotted grate - Class A
-90G	90 Degree aluminum slotted grate - Class A
-CUT	Cutting / per cut - Net Price only
-TEE	Tee Fabrication
-CF	Cross Fabrication
-C	Membrane clamps (2 - one for each side of the body) with hardware

CALIFORNIA PROPOSITION 65 WARNING. This product contains chemicals known to the State of California to cause cancer and birth defects or other reproductive harm.

Job Name: _____ Page No: _____
 Section No: _____ Contractor: _____
 Schedule No: _____ Purchase Order No: _____