

Location: \_\_\_\_\_

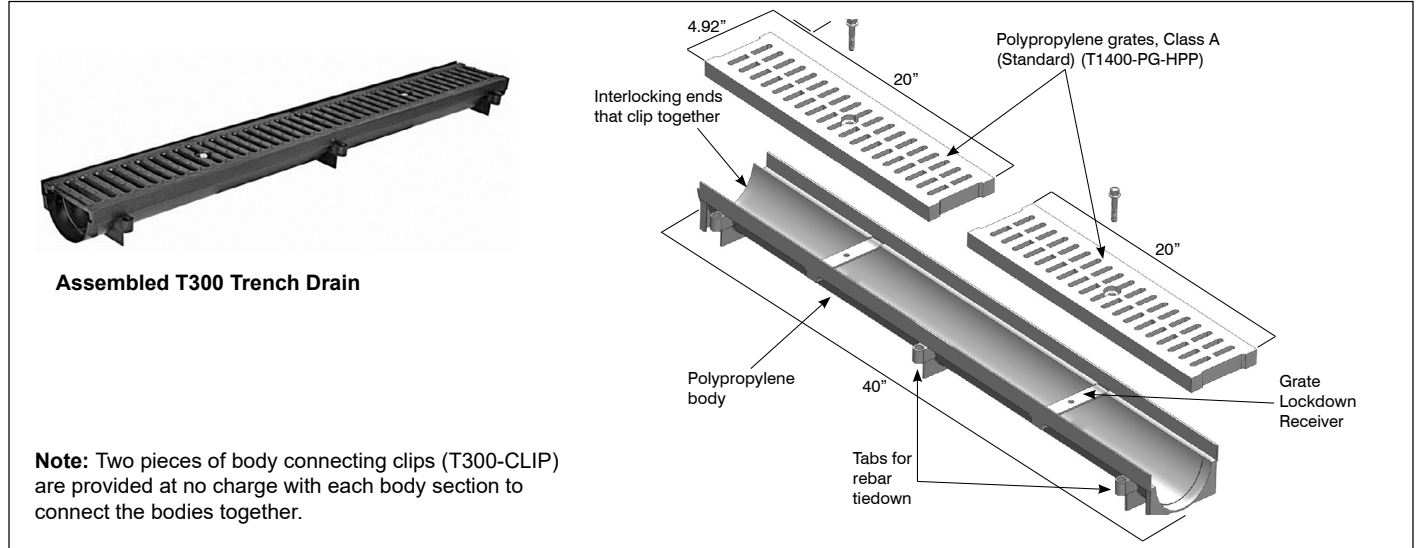


**T300**

**6" WIDE, 2 7/8" DEEP POLYPROPYLENE TRENCH DRAIN SYSTEM**

**Specification:** MIFAB® Series T300, 6" wide, 2 7/8" deep, 39.40" long, non sloped trench drain system. Body is manufactured from polypropylene. Each body has tabs on both sides of the body, for rebar tie down and leveling. Bodies have interlocking ends and a radiused bottom. End and bottom outlets are available in 2" no hub connections. 20" long polypropylene grates are provided as standard (Suffix -HPP) along with grate lockdown hardware for each grate to secure to the body. Class A, B and C grates are also available with H-20 and / or ADA compliance (see pages 33-35). Catch basins are also available.

**Function:** Used around pool, residential, multi family, kitchen and sidewalk areas that require surface drainage in shallow (only 2 7/8" deep) excavations. The lightweight and chemical resistant polypropylene body provides for long life. An infinite number of body sections can be assembled together to serve any requirement.



Ductile Iron Grates (all 20" long. Two grates required per body section) (Must use frame with grates - Load Class C and greater)	
Suffix	Description (all cast grates are 20" long)
-BA	Buy American Act compliant product
-HP-4	Ductile Iron, Heel Proof Longitudinal Slotted Grate, Special Duty - Class E
-HP-4-13	Ductile Iron, Galvanized, Heel Proof Longitudinal Slotted Grate, Special Duty - Class E
-LG-4	Ductile Iron, Extra Heavy Duty, Longitudinal Slotted grate - Class E
-LG-4-13	Ductile Iron, Galvanized, Extra Heavy Duty, Longitudinal Slotted grate - Class E
-4-13	Ductile Iron, Galvanized, Extra Heavy Duty, Slotted grate - Class E
-4-3	Ductile Iron, Extra Heavy Duty Slotted grate with Stainless Steel Veneer - Class E (must order together with Steel frame with Stainless Steel veneer. Part # for assembly is T1400-PFO-TA-3 with open frame. (39.40" long steel frame with S.S. veneer and two D.I. grates with S.S. veneer)
-7MG	MI-GARD trap seal protection device (available for 1-1/2", 2", 3", 3-1/2", 4" and 6" outlet connections)
-LG-4-3	Ductile Iron, Extra Heavy Duty Longitudinal Slotted grate with Stainless Steel veneer (must order together with Steel frame with Stainless Steel Veneer - Class E) Part # for assembly is T1400-LG-PFO-TA-3 with open frame. (39.40" long steel frame with S.S. veneer and two D.I. grates with S.S. veneer)
-PA	Pennsylvania Steel Act compliant product
End caps / Outlets / Accessories	
-PEC	Closed end cap
-PE2	2" no hub end outlet
-PBO	2" no hub bottom outlet
-PBRD	Support board
-PBDS	Bottom dome strainer
Standard	Connecting Clips (to connect bodies together)
Standard	5/16-18 x 2" Zinc Coated Bolts (2 per package) - for grate lockdown
-SSB	5/16-18 x 2" Stainless Steel Bolts (2 per package) - for grate lockdown
-PGLVP	2" long vandal resistant grate lockdown hardware 2 per body section - 1 for each grate
-	3 1/2" long Stainless Steel grate lockdown hardware 2 per body section - 1 for each grate
Fabricated Grates (Must use frame with grates - Load Class C and greater) (See pages 33-35 for additional grate information)	
-AWG	Aluminum wire grate - Class A, 40" long
-CDA	Stainless Steel, Circular Decorative grate - Class A, 40" long
-DDA	Stainless Steel, Diagonal Decorative grate - Class A, 40" long
-SSDA	Stainless Steel, Decorative grate - Class A, 40" long
-DSG	Steel, Diagonal Decorative grate - Class A, 40" long
-DWG	Steel, Decorative wave grate - Class A, 40" long
-FSGA	Galvanized Steel, Fabricated Slotted grate - Class A, 40" long
-FS	Stainless Steel, Fabricated Slotted grate - Class A, 40" long

-HPSS	Stainless Steel, Fabricated Heel Proof Slotted grate - Class A, 40" long
-HPP	Polypropylene, Heel Proof Slotted grate - Class A, 20" long (grate is a black color)
-HPP-TAN	Polypropylene, Heel Proof Slotted grate - Class A, 20" long (grate is a tan color)
-HPP-GREY	Polypropylene, Heel Proof Slotted grate - Class A, 20" long (grate is a grey color)
-PGG	Galvanized Steel, Fabricated Perforated grate - Class A, 40" long
-PS	Stainless Steel, Fabricated Perforated grate - Class A, 40" long
-SSWG	Stainless Steel, Fabricated Wire grate - Class A, 40" long
-SDG	Steel, Fabricated Decorative grate - Class B, 40" long
-LGHP	Steel, Fabricated Heel Proof Longitudinal grate - Class B, 40" long
-FSB	Galvanized Steel, Fabricated Reinforced Slotted grate - Class B, 40" long
-CDB	Stainless Steel, Circular Decorative grate - Class B, 40" long
-ddb	Stainless Steel, Diagonal Decorative grate - Class B, 40" long
-SSDB	Stainless Steel, Decorative grate - Class B, 40" long
-RFS	Stainless Steel, Fabricated Reinforced Slotted grate - Class B, 40" long
-RG	Galvanized Steel, Reinforced Perforated grate - Class B, 40" long
-RPS	Stainless Steel, Fabricated Reinforced Perforated grate - Class B, 40" long
-SBGGS	Galvanized Steel, Fabricated Slotted Bar grate - Class C, 40" long
-SBGST	Steel, Fabricated Slotted Bar grate - Class C, 40" long
-SBG	Stainless Steel, Fabricated Bar grate - Class B, 40" long
-CDC	Steel, Fabricated Circular Decorative grate - Class C, 40" long
-SC	Steel, Fabricated Solid Cover - Class E, 40" long
-PHPP	Heel proof Polypropylene, Perforated, Light Duty - Class A, 20" long (grate is a black color)
Frames	
-HD	Extra H.D. 1 meter long angle iron steel frame assembly with anchor studs
-HD-13	Extra H.D. 1 meter long galvanized angle iron steel frame assembly with anchor studs
-HD-3	Extra H.D. 1 meter long angle iron steel frame assembly with S.S. veneer and anchor studs
-SVF	Type 304 stainless steel top plastic body veneer, 2 pieces, 1 meter long Stainless Steel frame veneers, open frame for pedestrian traffic only. Load Class A. To be placed over top edges of T300 body.
Fabrications	
-CUT	Cutting / per cut - Net Price only
-TEE	Polypropylene tee
-PB-45	45 Degree Body Section
-PB-90	90 Degree Body Section
-45	45 Degree Polypropylene, Heel Proof Slotted grate - Class A
-90	90 Degree Polypropylene, Heel Proof Slotted grate - Class A
-SOF	Side Outlet Fabrication
-CF	Cross Fabrication

CALIFORNIA PROPOSITION 65 WARNING. This product contains chemicals known to the State of California to cause cancer and birth defects or other reproductive harm.

Job Name: \_\_\_\_\_  
 Section No: \_\_\_\_\_  
 Schedule No: \_\_\_\_\_

Page No: \_\_\_\_\_  
 Contractor: \_\_\_\_\_  
 Purchase Order No: \_\_\_\_\_