

Location: \_\_\_\_\_

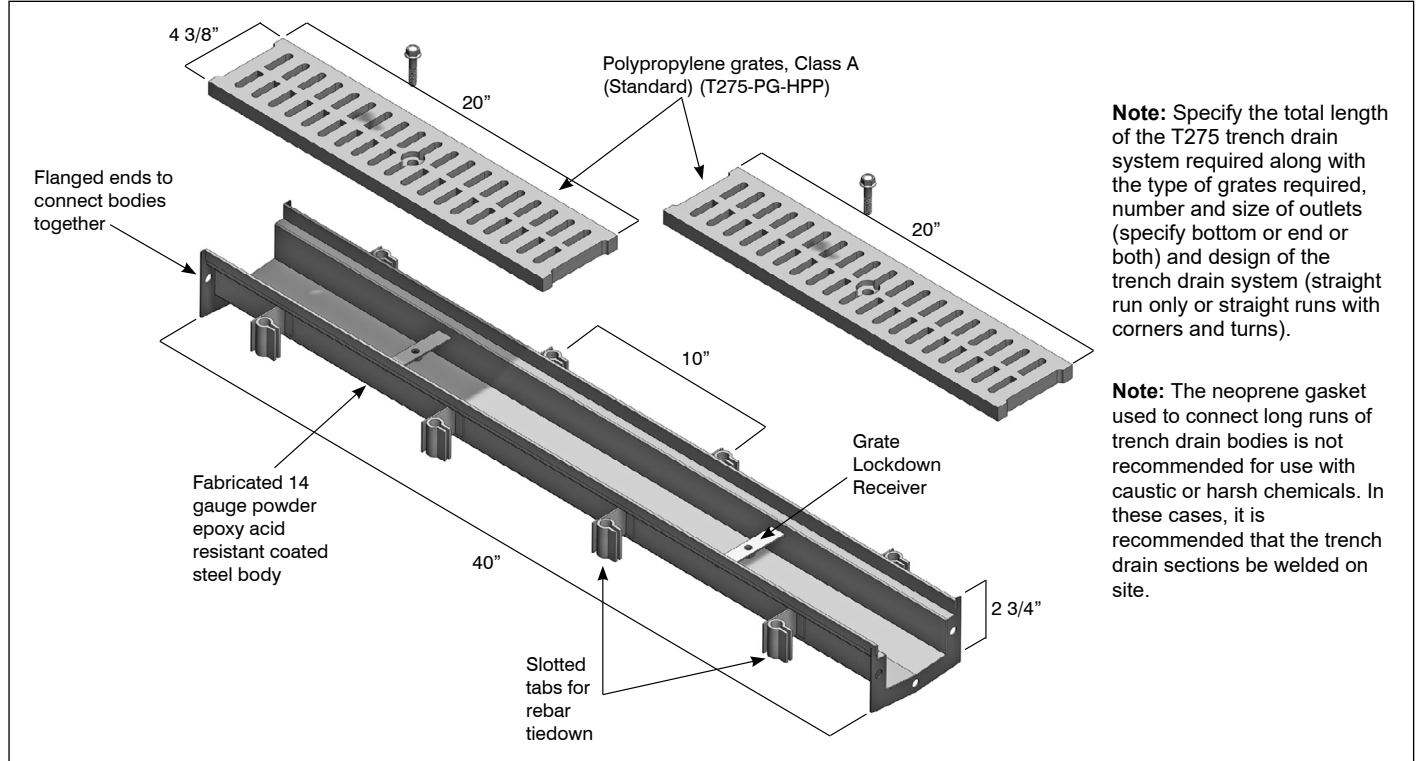


**T275**

**4 3/4" WIDE, 2 3/4" DEEP TRENCH DRAIN BODY AND GRATE SYSTEM**

**Specification:** MIFAB® Series T275, 4 3/4" wide, 2 3/4" deep, 40" long (or length as needed), non sloped trench drain system. Body is manufactured from 14 gauge steel and finished with an acid resistant powder epoxy coating. Each body has slotted tabs on both sides of the body, 10" apart, for rebar tie down and leveling. Bodies have flanged ends to connect to each other with a neoprene rubber gasket in between. End and bottom outlets are available in 2" or 3" no hub outlet connections and are fabricated as part of the trench drain system. 20" long polypropylene grates are provided as standard (Suffix -HPP) along with grate lockdown hardware for each grate to secure to the body. Class A and E grates are also available with H-20 and / or ADA compliance. End caps and catch basins are also available.

**Function:** Used around residential, kitchen and sidewalk areas that require surface drainage in shallow (only 2 3/4" deep) excavations. The lightweight acid resistant powder epoxy coated steel body provides for long life. An infinite number of body sections can be assembled together to serve any requirement. 45 and 90 degree body sections are available.



**Note:** Specify the total length of the T275 trench drain system required along with the type of grates required, number and size of outlets (specify bottom or end or both) and design of the trench drain system (straight run only or straight runs with corners and turns).

**Note:** The neoprene gasket used to connect long runs of trench drain bodies is not recommended for use with caustic or harsh chemicals. In these cases, it is recommended that the trench drain sections be welded on site.

Grates	
Suffix	Description
-4	Ductile Iron, Extra Heavy Duty, Slotted grate - Class E, 20" long
-4-3	Ductile Iron, Extra Heavy Duty Slotted Grate with Stainless Steel veneer - Class E, 20" long
-7MG	MI-GARD trap seal protection device (available for 1-1/2", 2", 3", 3-1/2", 4" and 6" outlet connections)
-BA	Buy American Act compliant product
-HPP	Polypropylene, Heel Proof Slotted grate - Class A, 20" long (grate is a black color)
-SSDA	Stainless Steel, Decorative grate - Class A
-FSGA	Galvanized Steel, Fabricated Slotted grate - Class A
-FS	Stainless Steel, Fabricated Slotted grate - Class A
-PA	Pennsylvania Steel Act compliant product
-PGG	Galvanized Steel, Fabricated Perforated grate - Class A
-PS	Stainless Steel, Fabricated Perforated grate -Class A
End caps / Outlets	
-PEC	Closed end cap

-PE02	2" no hub end outlet
-PE03	3" no hub end outlet
-PB02	2" no hub bottom outlet
-PB03	3" no hub bottom outlet
Accessories and 45 and 90 Degree Fabrications	
-PGLVP	1 1/2" long vandal resistant grate lockdown hardware (2 per body section - 1 for each grate)
Standard	5/16-18 x 2" Zinc Coated Bolts (2 per package) - for grate lockdown
-SSB	5/16-18 x 2" Stainless Steel Bolts (2 per package) - for grate lockdown
-PB-45	45 Degree Body Section
-PB-90	90 Degree Body Section
-45	45 Degree Polypropylene, Heel Proof Slotted grate - Class A
-90	90 Degree Polypropylene, Heel Proof Slotted grate - Class A
-CUT	Cutting / per cut - Net Price only
-SOF	Side Outlet Fabrication
-CF	Cross Fabrication

CALIFORNIA PROPOSITION 65 WARNING. This product contains chemicals known to the State of California to cause cancer and birth defects or other reproductive harm.

Job Name: \_\_\_\_\_  
 Section No: \_\_\_\_\_  
 Schedule No: \_\_\_\_\_

Page No: \_\_\_\_\_  
 Contractor: \_\_\_\_\_  
 Purchase Order No: \_\_\_\_\_