

Location: \_\_\_\_\_

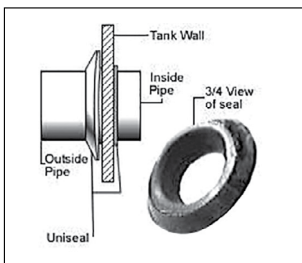
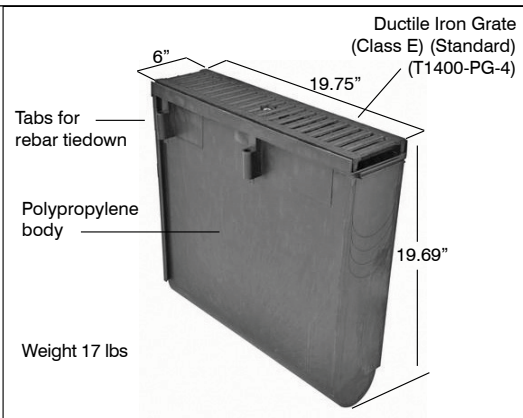
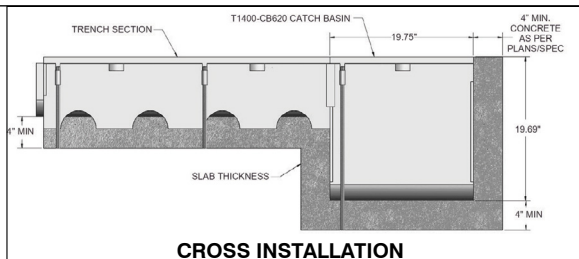


# T1400-CB620

## CATCH BASINS - FOR T1400 TRENCH DRAINS

**Specification:** MIFAB® Series T1400-CB620, 6" wide, 20" long x 19.69" deep catch basin. Body is manufactured from polypropylene. Each body has four tabs for #3 rebar tie down and leveling. Bodies have interlocking ends and a radiused bottom for efficient liquid drainage. End outlets are available in 2", 3" and 4" no hub outlet connections. Grate options include ductile iron, galvanized steel, stainless steel and plastic along with grate lockdown hardware for each grate to secure to the body. These grates are available in Class A, B, C, D and E along with ADA compliance.

**Function:** Used in airports, car washes, malls and plazas, golf courses, factories and any other facilities that require large areas of surface drainage. Typically installed in the middle of a T1400 section of trench drain to receive debris and redirect waste water. Chemical resistant polypropylene material provides for long life.



- **4" OUTLET SLIP FIT CONNECTION** - can be used on any flat wall to create an outlet.
- **Catch basin inlet adapter** - allows for easy connection of any depth trench body section into catch basin.

### T1400-CB620 - Features and Benefits

- **Lightweight and Strong** - Polypropylene material is acid resistant and lightweight for easy handling.
- **Interlocking Connections** - Body sections are easily snapped into both ends of the catch basin. No screws, hardware or transition pieces are required. The catch basin has knockout connections at both ends to receive the trench drain body section. This ensures that the trench drain body sections always drain to the catch basin.

Ductile Iron Grates (all 20" long. Two grates required per body section) (Must use frame with grates - Load Class C and greater)	
Suffix	Description
-BA	Buy American Act compliant product
-4	Ductile Iron, Extra Heavy Duty, Slotted grate - Class E
-HP-4	Ductile Iron, Heel Proof Longitudinal Slotted Grate, Special Duty - Class E
-HP-4-13	Ductile Iron, Galvanized, Heel Proof Longitudinal Slotted Grate, Special Duty - Class E
-LG-4	Ductile Iron, Extra Heavy Duty, Longitudinal Slotted grate - Class E
-LG-4-13	Ductile Iron, Galvanized, Extra Heavy Duty, Longitudinal Slotted grate - Class E
-PA	Pennsylvania Steel Act compliant product
-4-13	Ductile Iron, Galvanized, Extra Heavy Duty, Slotted grate - Class E
-4-3	Ductile Iron, Extra Heavy Duty Slotted grate with Stainless Steel Veneer - Class E (must order together with Steel frame with Stainless Steel veneer. Part # for assembly is T1400-PFO-TA-3 with open frame. (39.40" long steel frame with S.S. veneer and two D.I. grates with S.S. veneer)
-7MG	MI-GARD trap seal protection device (available for 1-1/2", 2", 3", 3-1/2", 4" and 6" outlet connections)
-LG-4-3	Ductile Iron, Extra Heavy Duty Longitudinal Slotted grate with Stainless Steel veneer (must order together with Steel frame with Stainless Steel Veneer - Class E) Part # for assembly is T1400-LG-PFO-TA-3 with open frame. (39.40" long steel frame with S.S. veneer and two D.I. grates with S.S. veneer)
Fabricated Grates (Must use frame with grates - Load Class C and greater)	
-AWG	Aluminum wire grate - Class A, 40" long
-CDA	Stainless Steel, Circular Decorative grate - Class A, 40" long
-DDA	Stainless Steel, Diagonal Decorative grate - Class A, 40" long
-SSDA	Stainless Steel, Decorative grate - Class A, 40" long
-DSG	Steel, Diagonal Decorative grate - Class A, 40" long
-DWG	Steel, Decorative wave grate - Class A, 40" long
-FSGA	Galvanized Steel, Fabricated Slotted grate - Class A, 40" long
-FS	Stainless Steel, Fabricated Slotted grate - Class A, 40" long
-HPSS	Stainless Steel, Fabricated Heel Proof Slotted grate - Class A, 40" long
-HPP	Polypropylene, Heel Proof Slotted grate - Class A, 20" long (grate is a black color)
-HPP-TAN	Polypropylene, Heel Proof Slotted grate - Class A, 20" long (grate is a tan color)
-HPP-GREY	Polypropylene, Heel Proof Slotted grate - Class A, 20" long (grate is a grey color)
-PGG	Galvanized Steel, Fabricated Perforated grate - Class A, 40" long
Fabricated Grates (Must use frame with grates - Load Class C and greater) (See pages 33-35 for additional grate information)	
-PS	Stainless Steel, Fabricated Perforated grate - Class A, 40" long
-PHPP	Heel Proof Polypropylene, Perforated, Light Duty - Class A, 20" long (grate is a black color)
-SSWG	Stainless Steel, Fabricated Wire grate - Class A, 40" long
-SDG	Steel, Fabricated Decorative grate - Class B, 40" long
-LGHP	Steel, Fabricated Heel Proof Longitudinal grate - Class B, 40" long

-FSB	Galvanized Steel, Fabricated Reinforced Slotted grate - Class B, 40" long
-CDB	Stainless Steel, Circular Decorative grate - Class B, 40" long
-ddb	Stainless Steel, Diagonal Decorative grate - Class B, 40" long
-SSDB	Stainless Steel, Decorative grate - Class B, 40" long
-RFS	Stainless Steel, Fabricated Reinforced Slotted grate - Class B, 40" long
-RG	Galvanized Steel, Reinforced Perforated grate - Class B, 40" long
-RPS	Stainless Steel, Fabricated Reinforced Perforated grate - Class B, 40" long
-SBGGS	Galvanized Steel, Fabricated Slotted Bar grate - Class B, 40" long
-SBGST	Steel, Fabricated Slotted Bar grate - Class B, 40" long
-SBG	Stainless Steel, Fabricated Bar grate - Class B, 40" long
-CDC	Steel, Fabricated Circular Decorative grate - Class C, 40" long
-SC	Steel, Fabricated Solid Cover - Class E, 40" long
Frames	
-HD	Extra H.D. 1 meter long angle iron steel frame assembly with anchor studs
-HD-13	Extra H.D. 1 meter long galvanized angle iron steel frame assembly with anchor studs
-HD-3	Extra H.D. 1 meter long angle iron steel frame assembly with S.S. veneer and anchor studs
-SVF	Type 304 stainless steel plastic body veneer, 2 pieces, 1 meter long Stainless Steel frame veneers, open frame for pedestrian traffic only, Load Class A. To be placed over top edges of T1400 body.
End caps / Outlets / Accessories	
-PEC	Includes the T1400-PEC-30 end cap, two pieces of body clips (T1400-CLIP) and one finish cap (T1400-PEFC)
-PEFC	Top Finishing cap (always included with the T1400-PEC-30 Closed end cap)
-PE4	Includes the T1400-PE4-30 end outlet, two pieces of body clips (T1400-CLIP) and one finish cap (T1400-PEFC)
-PB4	Combination 3" or 4" Polypropylene No Hub bottom outlet
Standard	Support board (one per body always included)
-PBDS	Bottom dome strainer
Standard	Connecting Clips (to connect bodies together)
Standard	3 1/2" long grate lockdown hardware
-	3 1/2" long Stainless Steel grate lockdown hardware (per grate)
-PGLVP	3 1/2" long vandal resistant grate lockdown hardware (per grate)
Fabrications	
Suffix	Description
-CUT	Cutting / per cut - Net Price only
-TEE	Polypropylene tee (available in T1400N-TEE, T1405N-TEE, T1410N-TEE and T1415N-TEE models)
-45	45s (available in T1400N-45, T1405N-45, T1410N-45 and T1415N-45 models)
-90	90s (available in T1400N-90, T1405N-90, T1410N-90 and T1415N-90 models)
-SOF	Side Outlet Fabrication
-CF	Cross Fabrication

CALIFORNIA PROPOSITION 65 WARNING. This product contains chemicals known to the State of California to cause cancer and birth defects or other reproductive harm.

Job Name: \_\_\_\_\_  
 Section No: \_\_\_\_\_  
 Schedule No: \_\_\_\_\_

Page No: \_\_\_\_\_  
 Contractor: \_\_\_\_\_  
 Purchase Order No: \_\_\_\_\_