

Location: _____

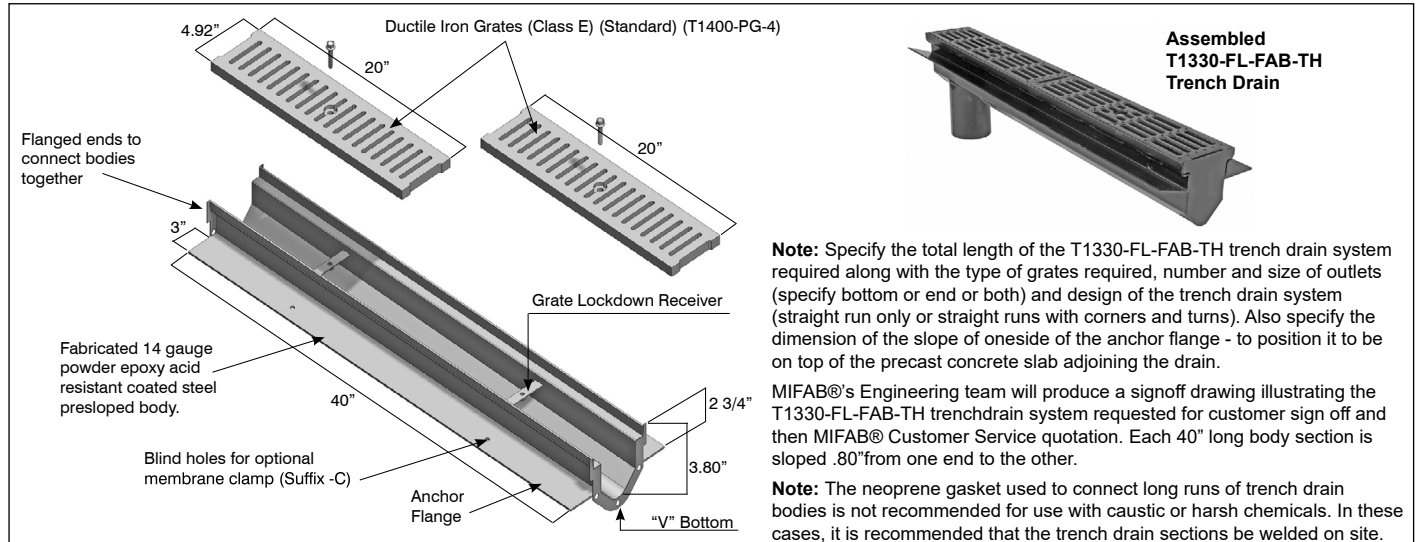


T1330-FL-FAB-TH

6" WIDE, PRESLOPED, FABRICATED, STEEL TRENCH DRAIN SYSTEM WITH "V" BOTTOM

Specification: MIFAB® Series T1330-FL-FAB-TH, 6" wide, 40" long, (or length as needed), pre-sloped (1/8" per foot) modular trench drain with "V" shaped bottom. Body is manufactured from 14 gauge steel and finished with an acid resistant powder epoxy coating. Each body has a 3" wide anchor flange on each side recessed 2 3/4" down from the top with one side sloped to position on top of the precast concrete slab adjoining the drain (Specify this dimension). Bodies have flanged ends to connect to each other with a neoprene rubber gasket in between. End and bottom outlets are available in 2", 3" or 4" no hub outlet connections and are fabricated as part of the trench drain system. 20" long, Class E, H-20 ductile iron grates are provided as standard (Suffix -4) along with grate lockdown hardware for each grate to secure to the body. Class A, B, C, D and E grates are also available. Catch basins are also available.

Function: Used in prefabricated parking garages where the sloped and horizontal precast construction sections meet. Extra wide 3" anchor flange is designed to install over precast concrete slabs. 2" depth from the anchor flange to the top of the drain allows for concrete to secure the drain system within the slab.



Note: Specify the total length of the T1330-FL-FAB-TH trench drain system required along with the type of grates required, number and size of outlets (specify bottom or end or both) and design of the trench drain system (straight run only or straight runs with corners and turns). Also specify the dimension of the slope of one side of the anchor flange - to position it to be on top of the precast concrete slab adjoining the drain.

MIFAB's Engineering team will produce a signoff drawing illustrating the T1330-FL-FAB-TH trench drain system requested for customer sign off and then MIFAB® Customer Service quotation. Each 40" long body section is sloped .80" from one end to the other.

Note: The neoprene gasket used to connect long runs of trench drain bodies is not recommended for use with caustic or harsh chemicals. In these cases, it is recommended that the trench drain sections be welded on site.

Ductile Iron Grates (all 20" long. Two grates required per body section)	
Suffix	Description
-BA	Buy American Act compliant product
-PA	Pennsylvania Steel Act compliant product
-7MG	MI-GARD trap seal protection device (available for 1-1/2", 2", 3", 3-1/2", 4" and 6" outlet connections)
-4	Ductile Iron, Extra Heavy Duty Slotted grate - Class E
-HP-4	Ductile Iron, Heel Proof Longitudinal Slotted Grate, Special Duty - Class E
-HP-4-13	Ductile Iron, Galvanized, Heel Proof Longitudinal Slotted Grate, Special Duty - Class E
-LG-4	Ductile Iron, Extra Heavy Duty, Longitudinal Slotted grate - Class E
-LG-4-13	Ductile Iron, Galvanized, Extra Heavy Duty, Longitudinal Slotted grate - Class E
-4-13	Ductile Iron, Galvanized, Extra Heavy Duty, Slotted grate - Class E
-4-3	Ductile Iron, Extra Heavy Duty Slotted grate with Stainless Steel Veneer - Class E (must order together with Steel frame with Stainless Steel veneer. Part # for assembly is T1400-PFO-TA-3 with open frame. (40" long steel frame with S.S. veneer and two D.I. grates with S.S. veneer)
-LG-4-3	Ductile Iron, Extra Heavy Duty Longitudinal Slotted grate with Stainless Steel veneer (must order together with Steel frame with Stainless Steel Veneer - Class E) Part # for assembly is T1400-LG-PFO-TA-3 with open frame. (40" long steel frame with S.S. veneer and two D.I. grates with S.S. veneer)
End caps / Outlets / Accessories	
-PEC	Closed end cap
-PE2	2" no hub end outlet
-PE3	3" no hub end outlet
-PE4	4" no hub end outlet
-PB2	2" no hub bottom outlet
-PB3	3" no hub bottom outlet
-PB4	4" no hub bottom outlet
-PBRD	Support board
-PBDS	Bottom dome strainer
Standard	5/16-18 x 2" Zinc Coated Bolts (2 per package) - for grate lockdown
-SSB	5/16-18 x 2" Stainless Steel Bolts (2 per package) - for grate lockdown
-PGLVP	2" long vandal resistant grate lockdown hardware (per grate)
-C	Membrane Clamp (2 pieces) with hardware
Fabricated Grates	
-AWG	Aluminum wire grate - Class A
-CDA	Stainless Steel, Circular Decorative grate - Class A
-DDA	Stainless Steel, Diagonal Decorative grate - Class A

-SSDA	Stainless Steel, Decorative grate - Class A
-DSG	Steel, Diagonal Decorative grate - Class A
-DWG	Steel, Decorative wave grate - Class A
-FSGA	Galvanized Steel, Fabricated Slotted grate - Class A
-FS	Stainless Steel, Fabricated Slotted grate - Class A
-HPSS	Stainless Steel, Fabricated Heel Proof Slotted grate - Class A
-HPP	Polypropylene, Heel Proof Slotted grate - Class A, 20" long (grate is a black color)
-HPP-GREY	Polypropylene, Heel Proof Slotted grate - Class A, 20" long (grate is a grey color)
-HPP-TAN	Polypropylene, Heel Proof Slotted grate - Class A, 20" long (grate is a tan color)
-PGG	Galvanized Steel, Fabricated Perforated grate - Class A
-PS	Stainless Steel, Fabricated Perforated grate - Class A
-SSWG	Stainless Steel, Fabricated Wire grate - Class A
-SDG	Steel, Fabricated Decorative grate - Class B
-LGHP	Steel, Fabricated Heel Proof Longitudinal grate - Class B
-FSB	Galvanized Steel, Fabricated Reinforced Slotted grate - Class B
-CDB	Stainless Steel, Circular Decorative grate - Class B
-ddb	Stainless Steel, Diagonal Decorative grate - Class B
-SSDB	Stainless Steel, Decorative grate - Class B
-RFS	Stainless Steel, Fabricated Reinforced Slotted grate - Class B
-RG	Galvanized Steel, Reinforced Perforated grate - Class B
-RPS	Stainless Steel, Fabricated Reinforced Perforated grate - Class B
-SBGGS	Galvanized Steel, Fabricated Slotted Bar grate - Class C
-SBGST	Steel, Fabricated Slotted Bar grate - Class C
-CDC	Steel, Fabricated Circular Decorative grate - Class C
-PHPP	Heel proof polypropylene, Perforated, Light Duty - Class A, 20" long (grate is a black color)
-SC	Steel, Fabricated Solid Cover - Class E
-SBG	Stainless Steel, Fabricated Bar grate - Class E
Frames	
-SVF	Type 304 stainless steel top veneer frame, 2 pieces, 1 meter for pedestrian traffic only. Load Class A. To be placed over top edges of T1330-FL-FAB body.
Fabrications	
-TEE	Fabricated Steel tee
-PB-45	45 Degree Body Section
-PB-90	90 Degree Body Section
-45	45 Degree Ductile Iron Slotted grate - Class E
-90	90 Degree Ductile Iron Slotted grate - Class E
-SOF	Side Outlet Fabrication
-CF	Cross Fabrication

CALIFORNIA PROPOSITION 65 WARNING. This product contains chemicals known to the State of California to cause cancer and birth defects or other reproductive harm.

Job Name: _____
 Section No: _____
 Schedule No: _____

Page No: _____
 Contractor: _____
 Purchase Order No: _____