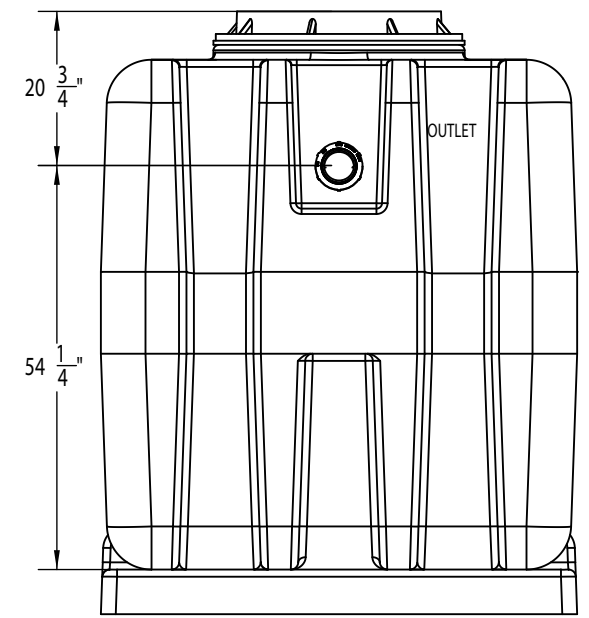
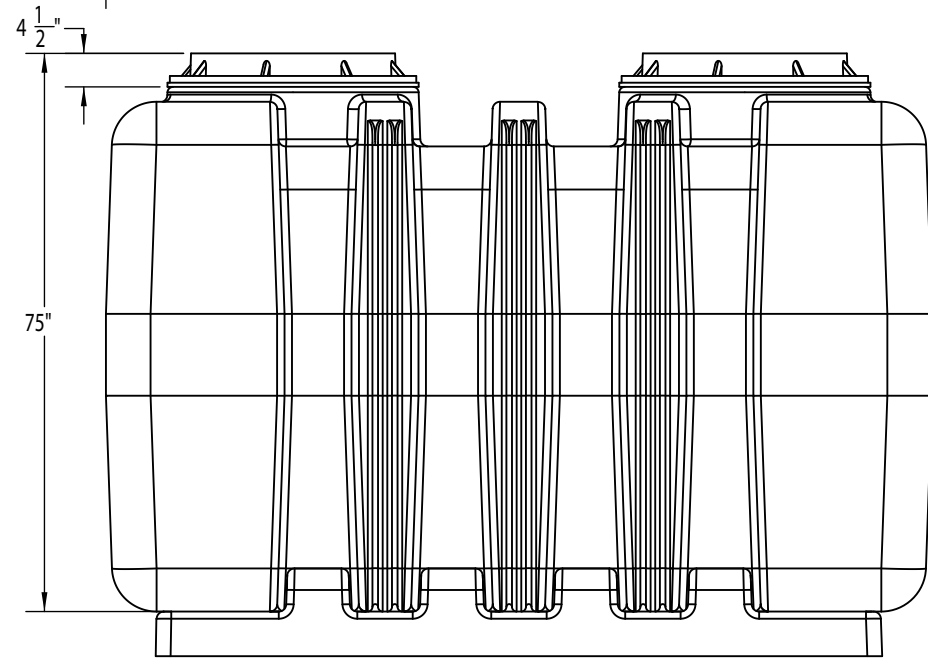
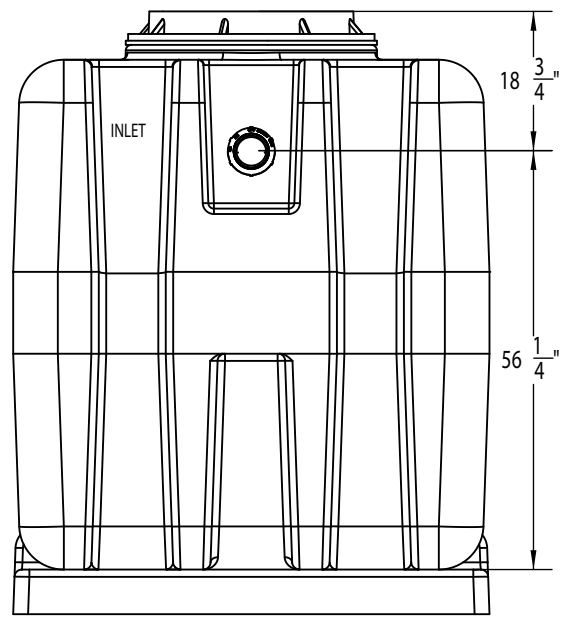
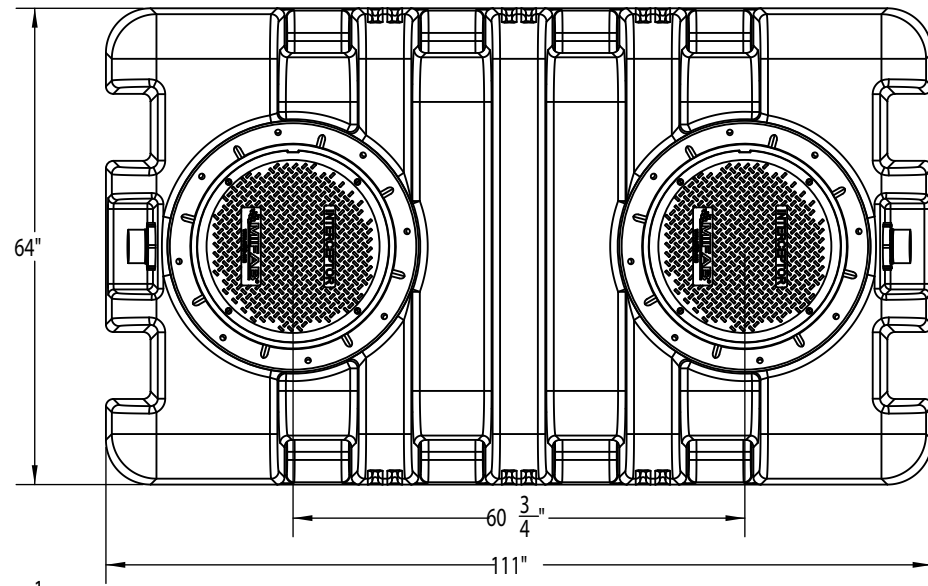
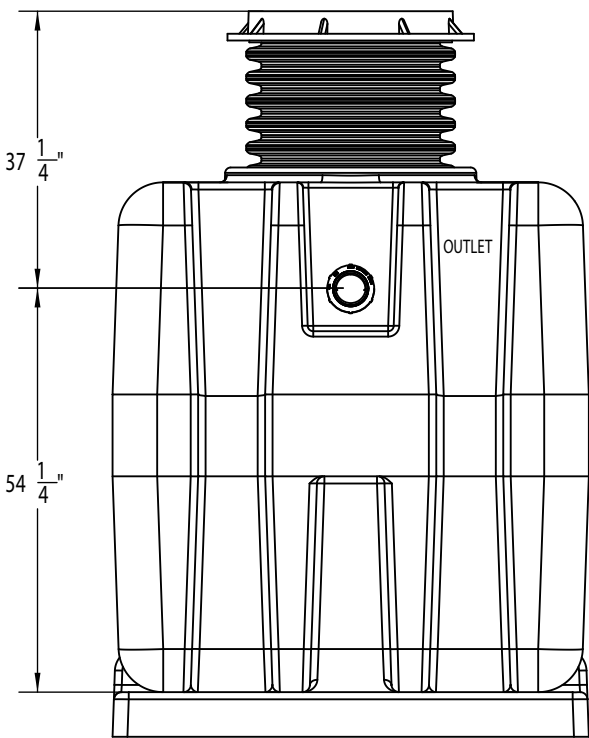
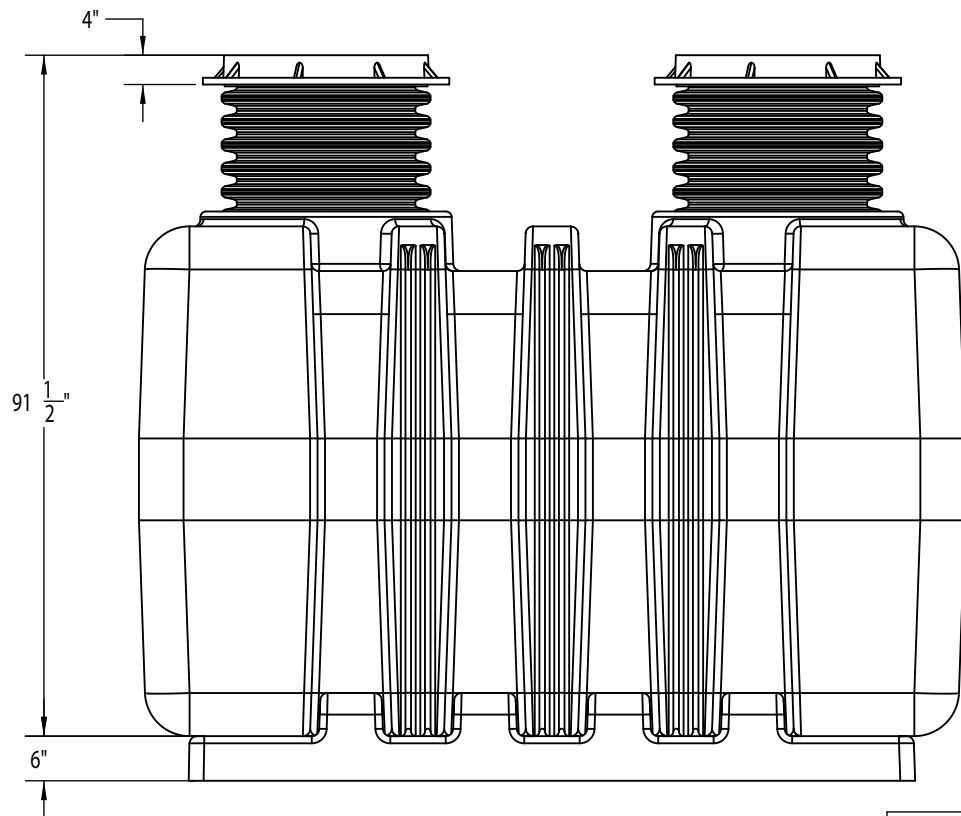
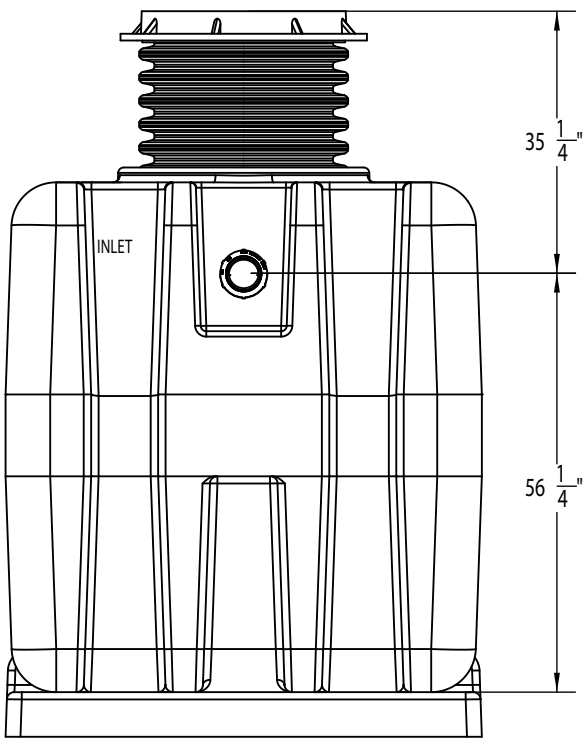


8 7 6 5 4 3 2 1



SHOWN WITH DIRECT CONNECT LID OPTION (-DCL)



PROPRIETARY AND CONFIDENTIAL
THE INFORMATION CONTAINED IN THIS
DRAWING IS THE SOLE PROPERTY OF
MIFAB, INC. ANY REPRODUCTION IN
PART OR AS A WHOLE WITHOUT THE
WRITTEN PERMISSION OF MIFAB, INC. IS
PROHIBITED.

LASER/SHEAR:		UNLESS OTHERWISE SPECIFIED: DIMENSIONS ARE IN INCHES TOLERANCES: FRACTIONAL: ± 1/16 ANGULAR: MACH ± 1° BEND ± 1° A TWO PLACE DECIMAL ± 0.05 THREE PLACE DECIMAL ± 0.010 TYPICAL DRAFT ANGLE: 2°	NAME	DATE
WELDED BY:			DRAWN	XX
CLEAN/PAINT:			CHECKED	XX
COMPLETED BY:			ENG APPR.	
REVIEWED BY:			MFG APPR.	
NEXT ASSY	USED ON		QA	
APPLICATION	DO NOT SCALE DRAWING	MATERIAL DESCRIPTION	SEE-BOM	QUANTITY:
		FINISH PART	XX	SEE-BOM



TITLE: 1250gallon LIQUID HOLD
CAP. GREASE INT.

SIZE: C DWG. NO. SM-MI-G-PL-1250 REV

SCALE: 1:20 WEIGHT: SHEET 1 OF 1

8 7 6 5 4 3 2 1