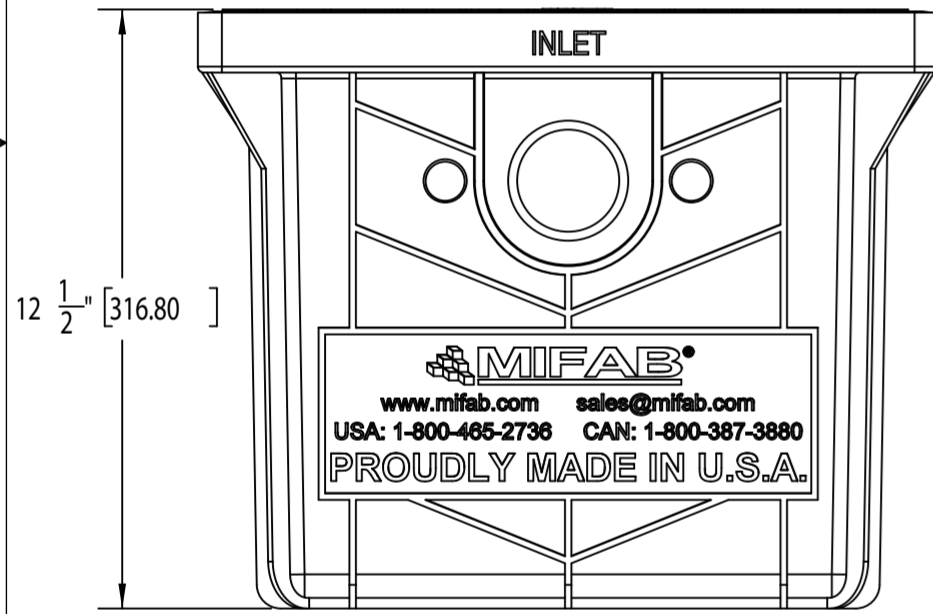
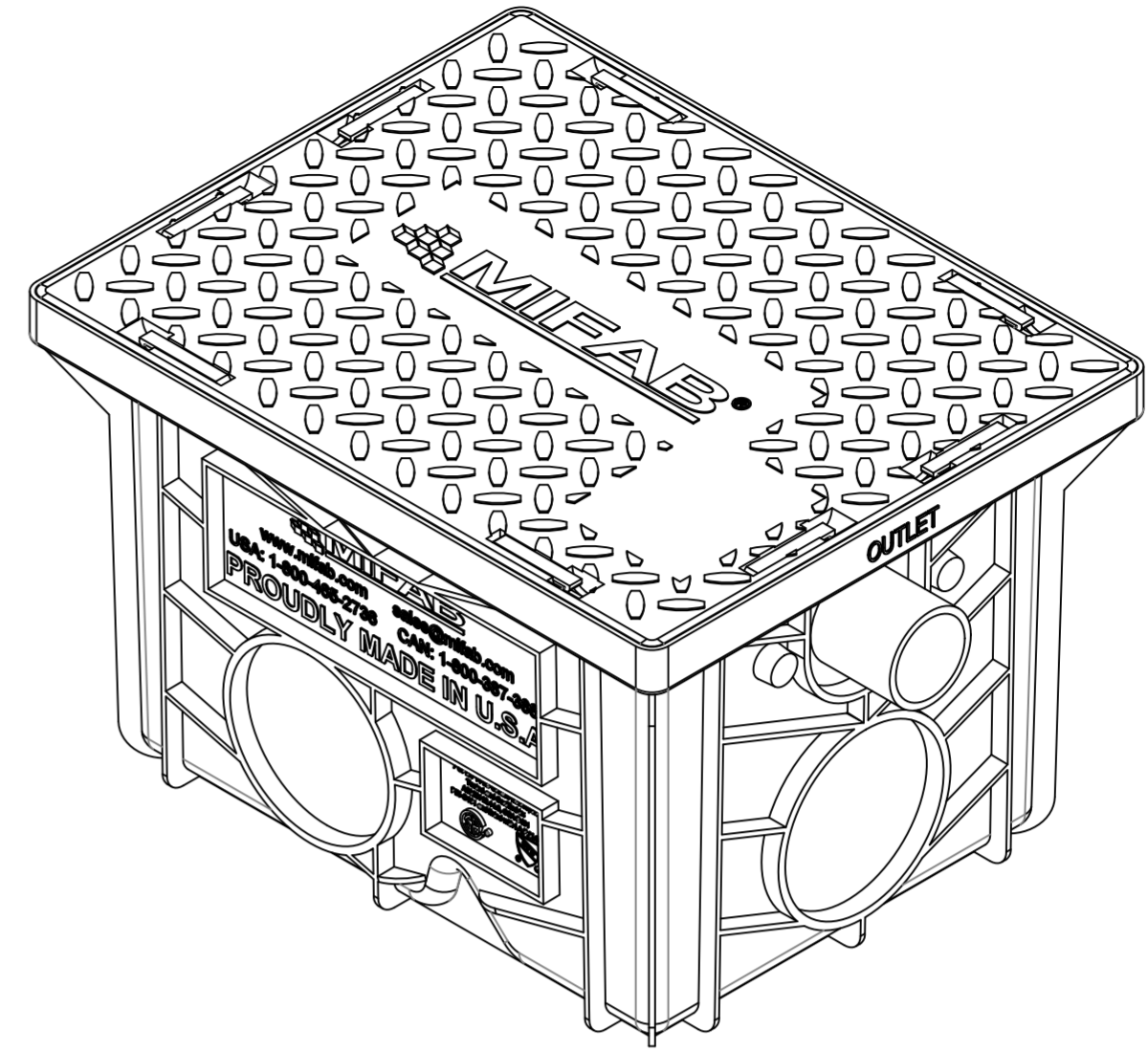
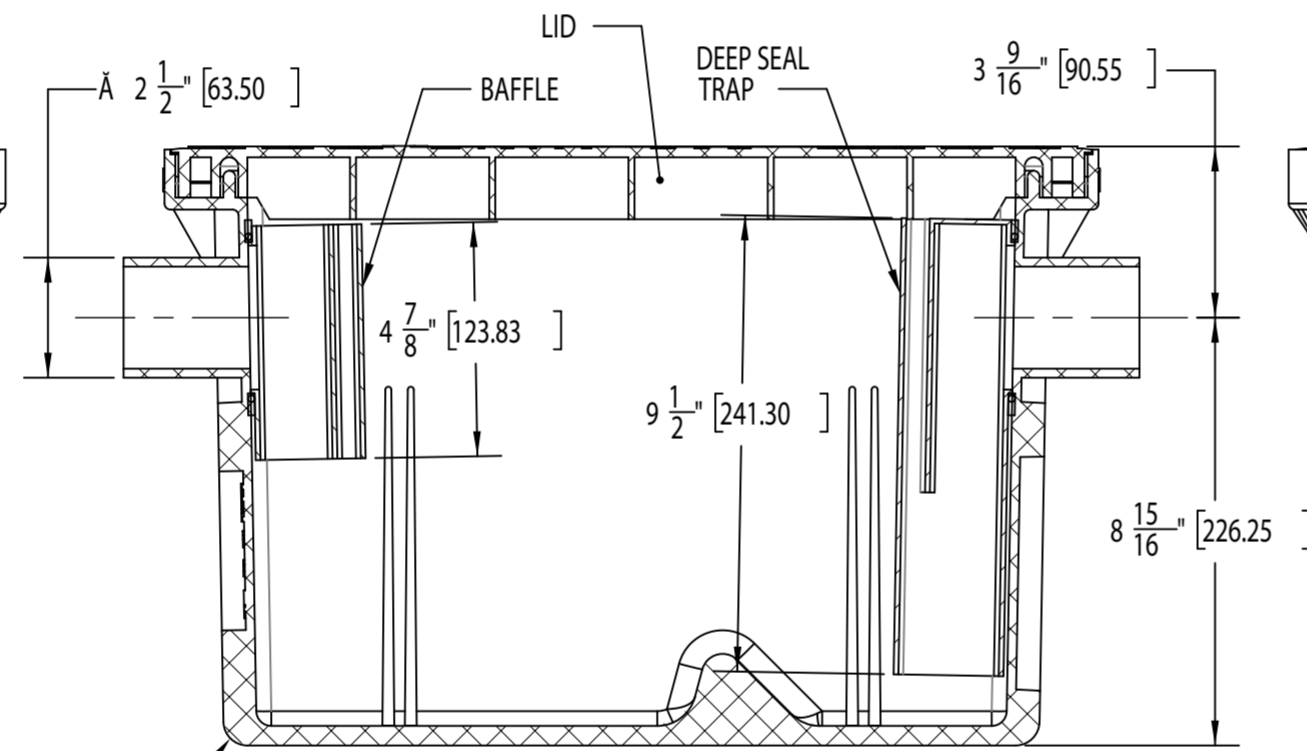


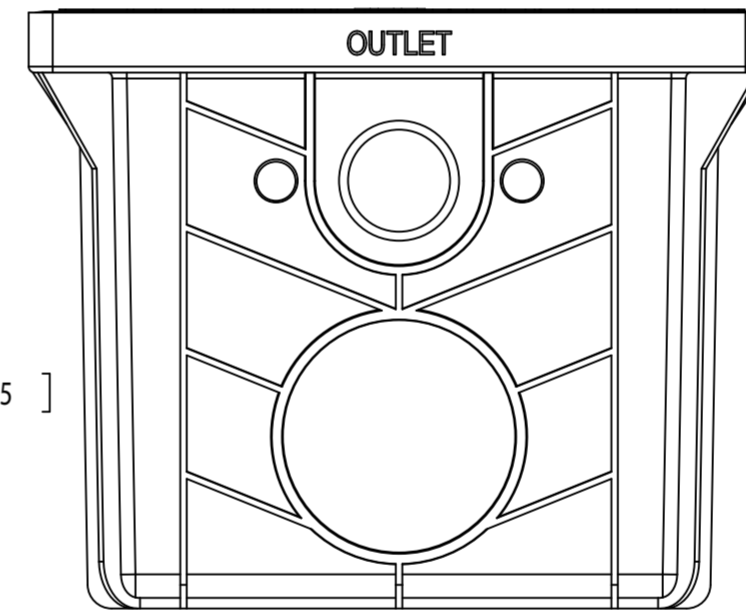
TOP



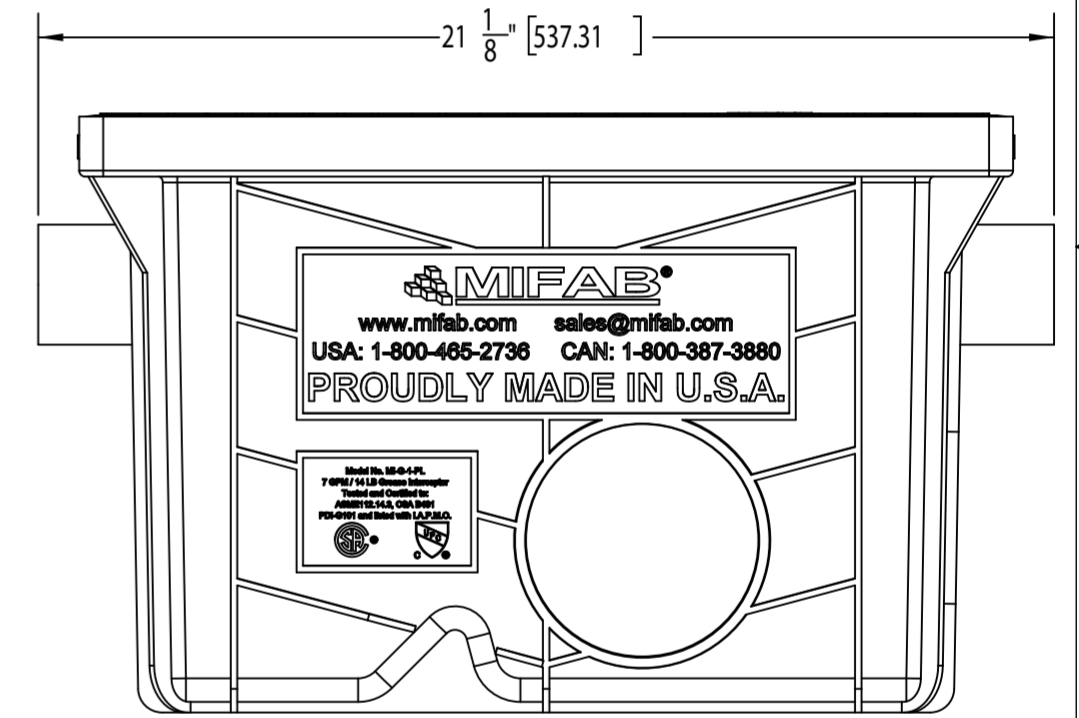
INLET



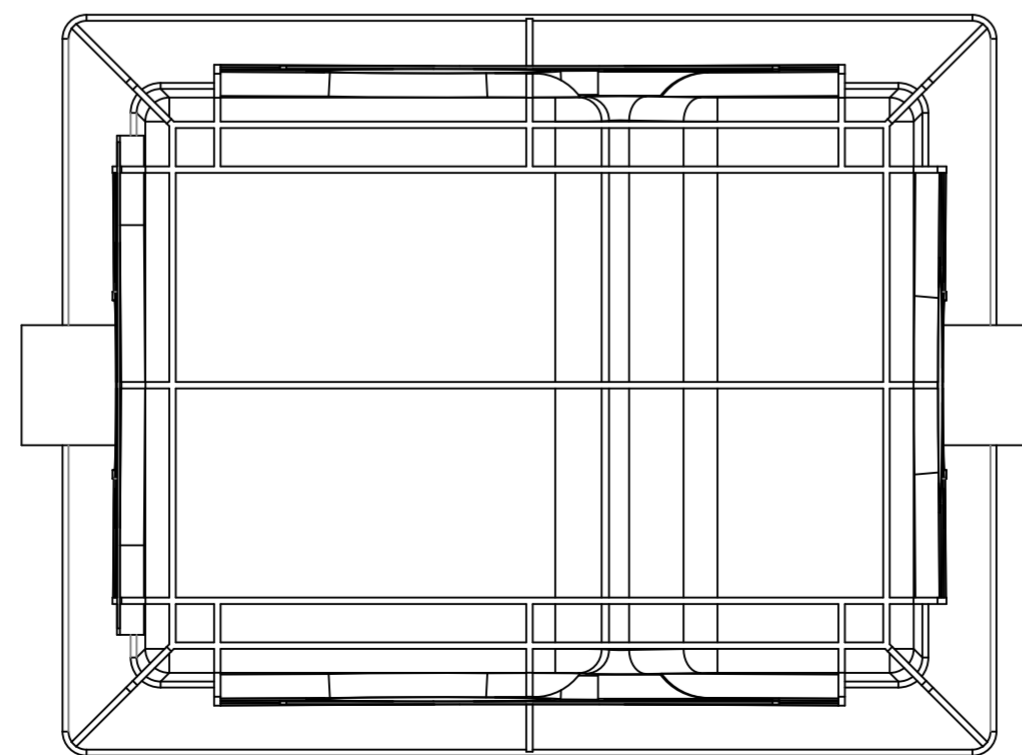
SECTION A-A



OUTLET



BACK



BOTTOM

PROPRIETARY AND CONFIDENTIAL
THE INFORMATION CONTAINED IN THIS
DRAWING IS THE SOLE PROPERTY OF
MIFAB. ANY REPRODUCTION IN PART OR AS A WHOLE
WITHOUT THE WRITTEN PERMISSION OF
MIFAB IS PROHIBITED.

LASER/SHEAR:		UNLESS OTHERWISE SPECIFIED:	NAME	DATE
BRAKE PRESS:		DIMENSIONS ARE IN INCHES	XX	XX
WELDED BY:		TOLERANCES:		XX
CLEAN/PAINT:		FRACTIONAL ± 1/16		
COMPLETED BY:		ANGULAR: MACH ± 1 A BEND ± 1 A		
REVIEWED BY:		TWO PLACE DECIMAL ± .015		
		THREE PLACE DECIMAL ± .010		
		TYPICAL DRAFT ANGLE 2 A		
		MATERIAL DESCRIPTION	Q.A.	
		SEE-BOM		
		FINISH PART	QUANTITY:	
		CLEAN		
NEXT ASSY	USED ON		SEE-PO#	
APPLICATION		DO NOT SCALE DRAWING		



TITLE: 7 GPM PLASTIC GREASE INTER. NH OUTLET

SIZE C DWG. NO. LIL-7 REV

SCALE: 1:4 WEIGHT: SHEET 1 OF 1