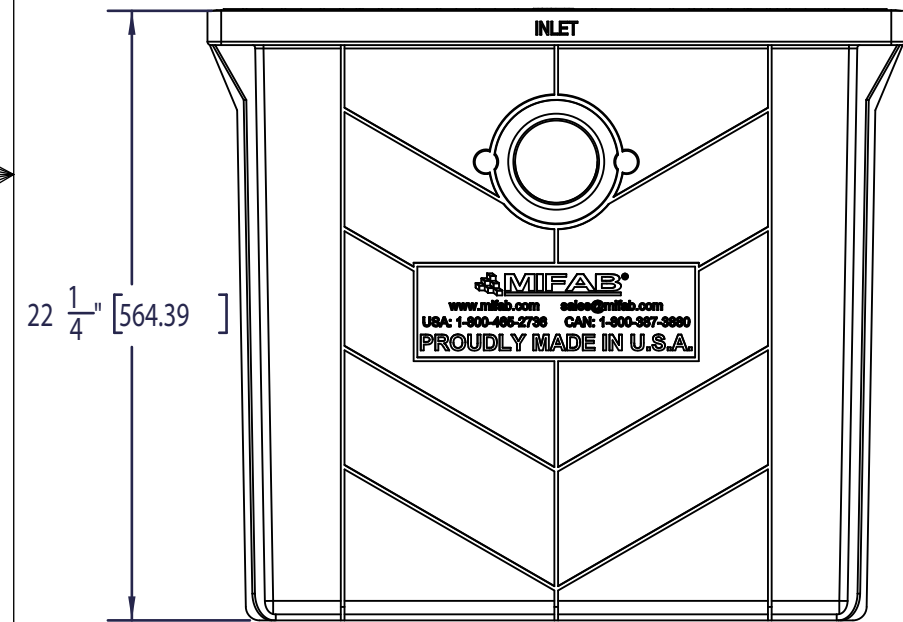
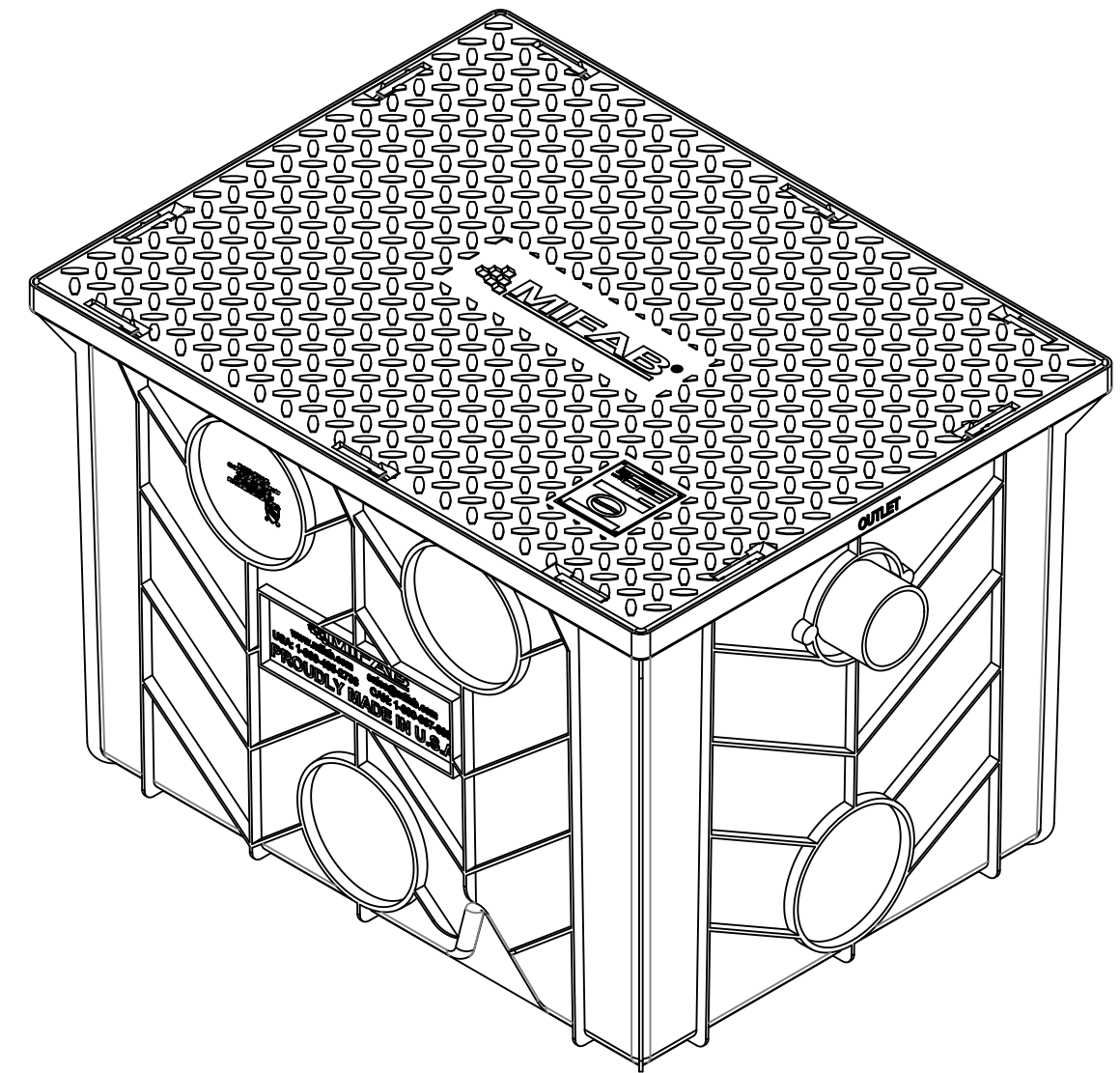
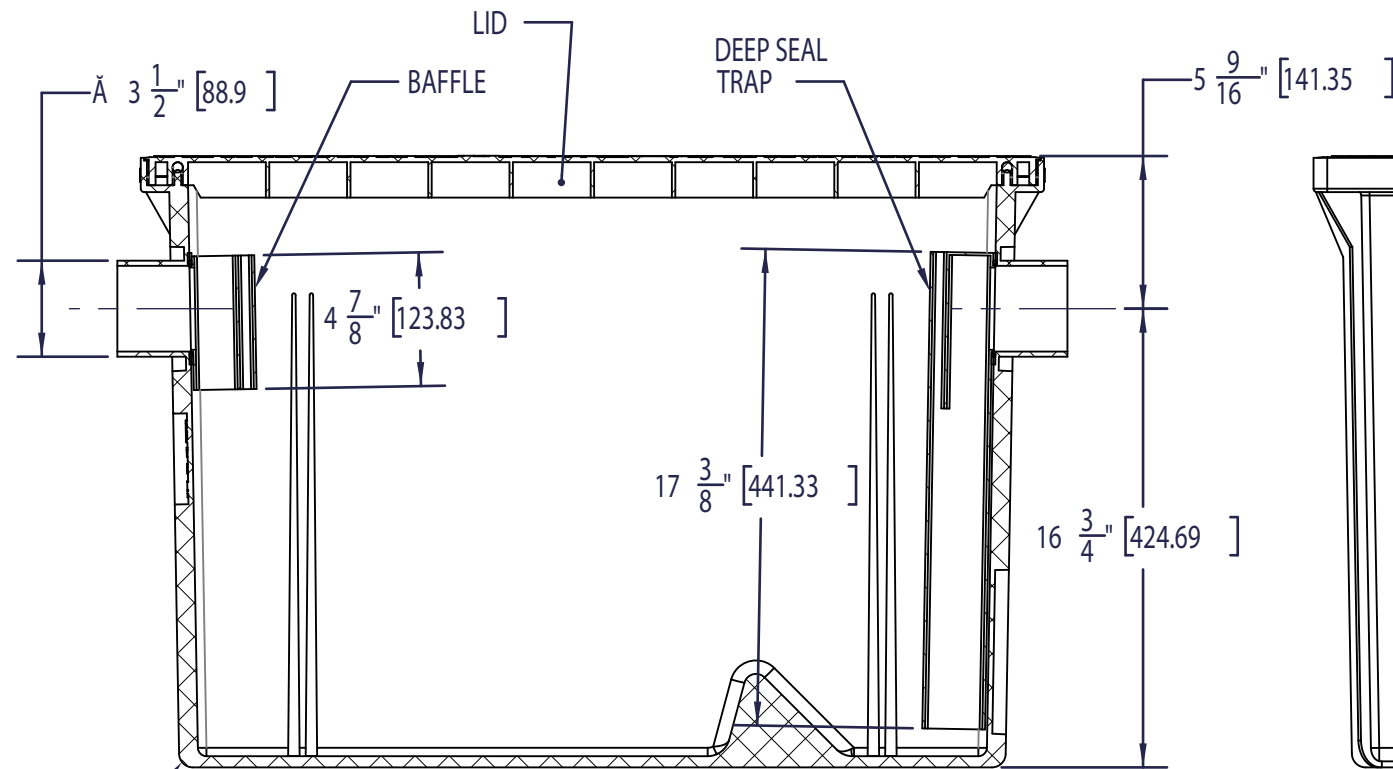


TOP

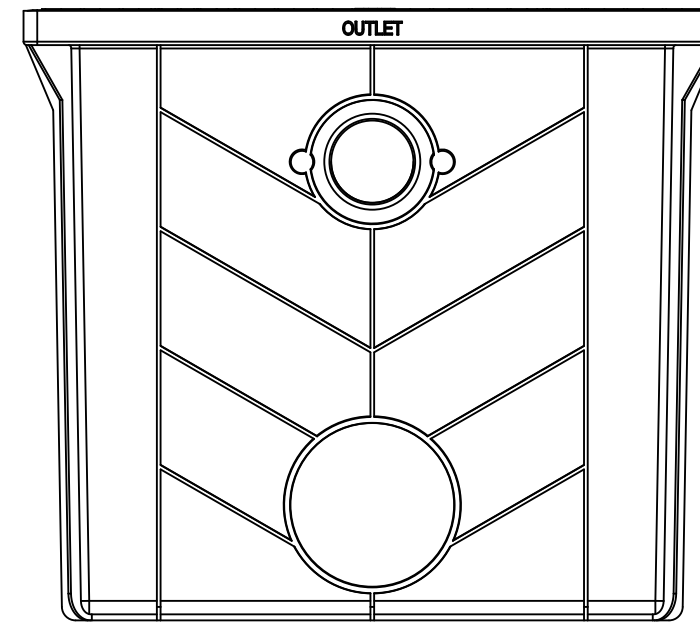


INLET

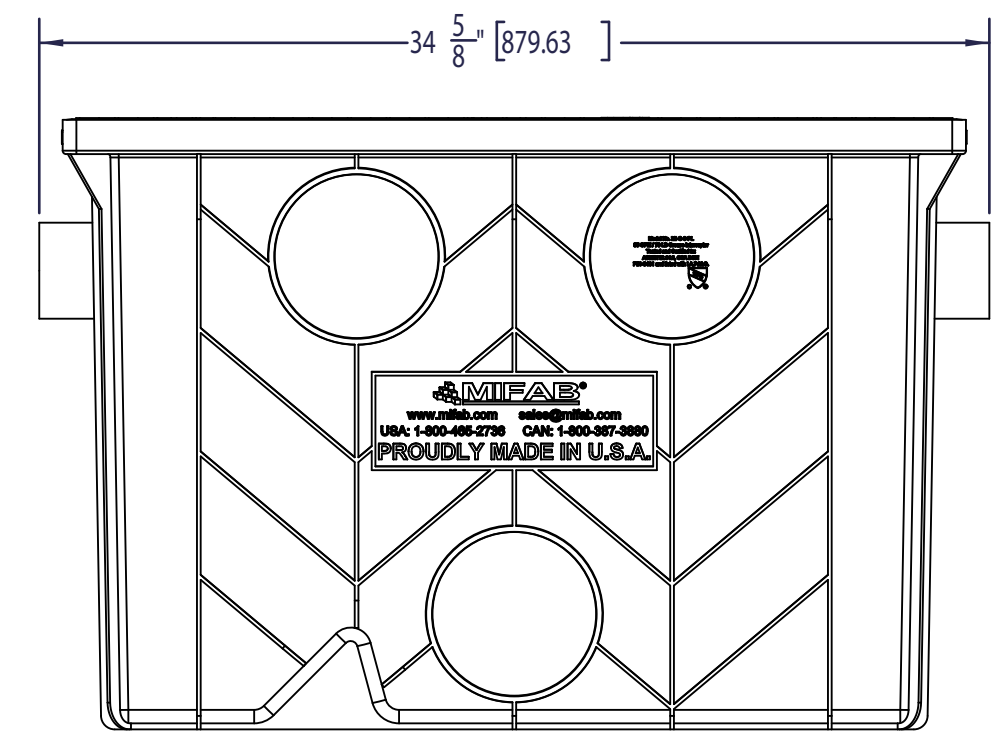
22 1/4" [564.39]



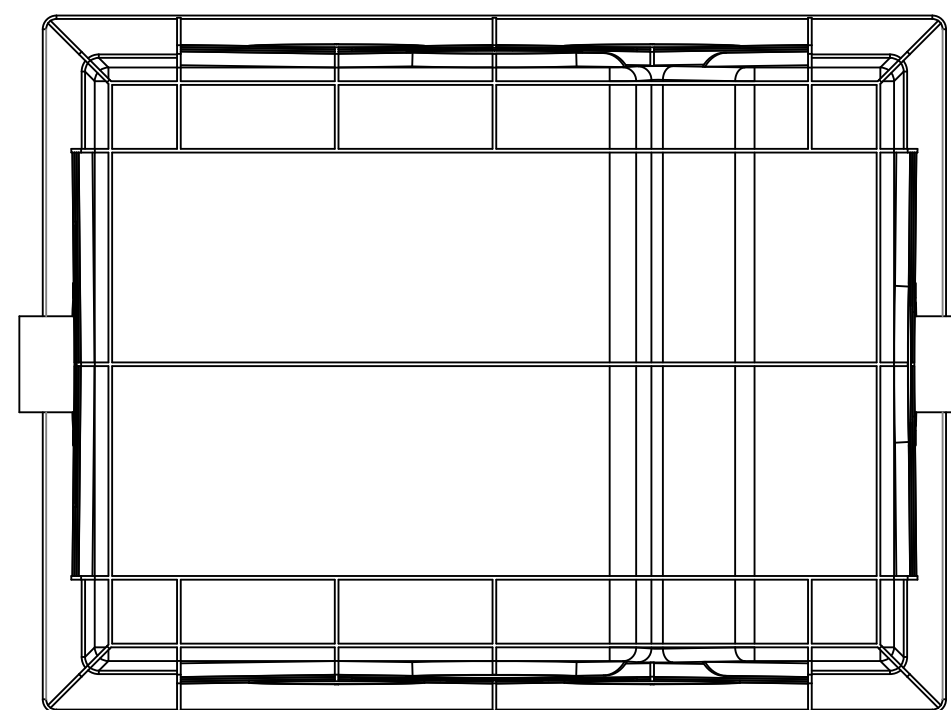
SECTION A-A



OUTLET



BACK



BOTTOM

PROPRIETARY AND CONFIDENTIAL  
THE INFORMATION CONTAINED IN THIS  
DRAWING IS THE SOLE PROPERTY OF  
<INSERT COMPANY NAME HERE>. ANY  
REPRODUCTION IN PART OR AS A WHOLE  
WITHOUT THE WRITTEN PERMISSION OF  
<INSERT COMPANY NAME HERE> IS  
PROHIBITED.

LASER/SHEAR:		UNLESS OTHERWISE SPECIFIED: DIMENSIONS ARE IN INCHES TOLERANCES: FRACTIONAL ± 1/16 ANGULAR/MACH ± 1 A BEND ± 1 A TWO PLACE DECIMAL ± .015 THREE PLACE DECIMAL ± .010 TYPICAL DRAFT ANGLE 2 A	NAME	DATE	
BRAKE PRESS:			DRAWN	XX	
WELDED BY:			CHECKED		TITLE: 35 GPM PLASTIC GREASE INTERCEPTOR/ 70lb GREASE CAP.
CLEAN/PAINT:			ENG APPR.		
COMPLETED BY:		MATERIAL DESCRIPTION SEE-BOM	MFG APPR.		Q.A. QUANTITY: SEE-PO#
REVIEWED BY:		FINISH PART CLEAN			
NEXT ASSY	USED ON	APPLICATION			SCALE: 1:7
					WEIGHT:
					SHEET 1 OF 1