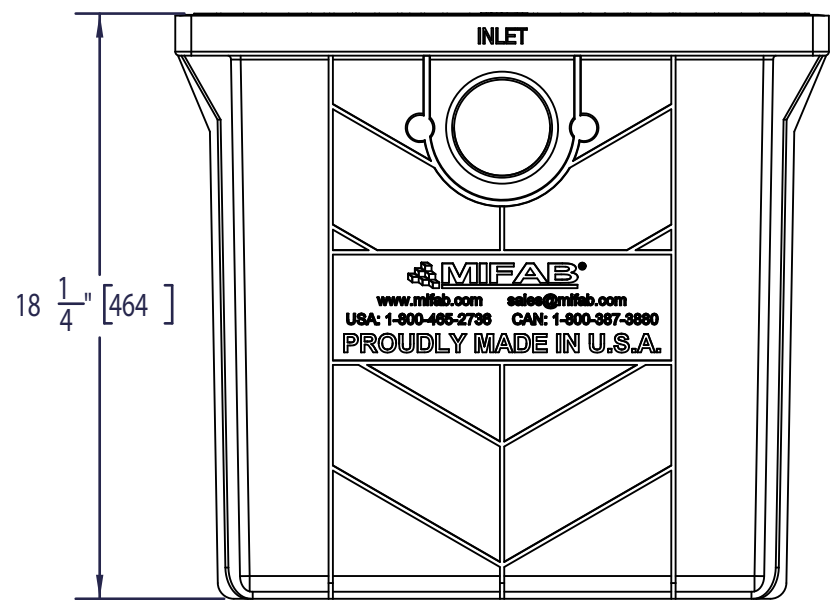
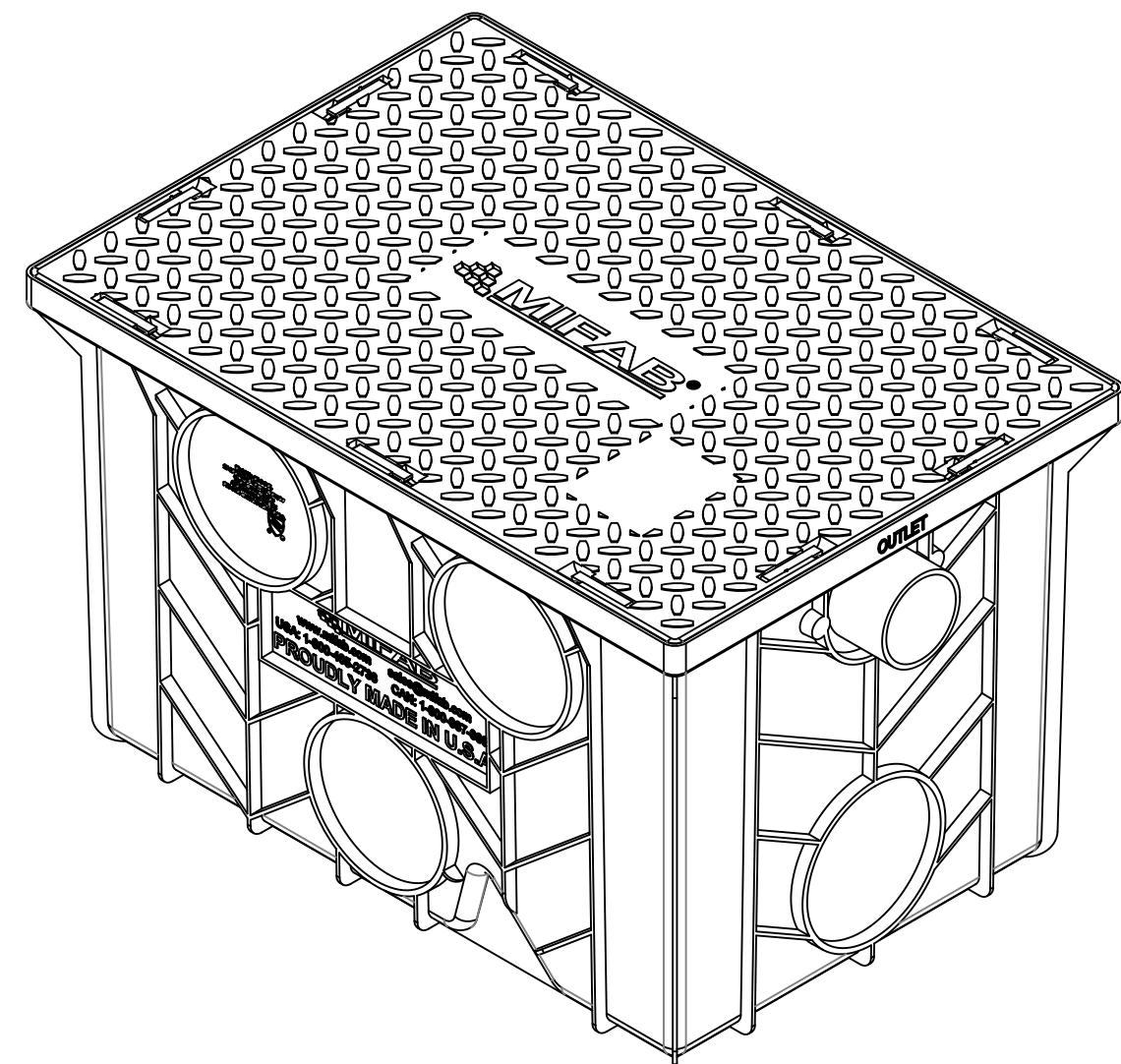
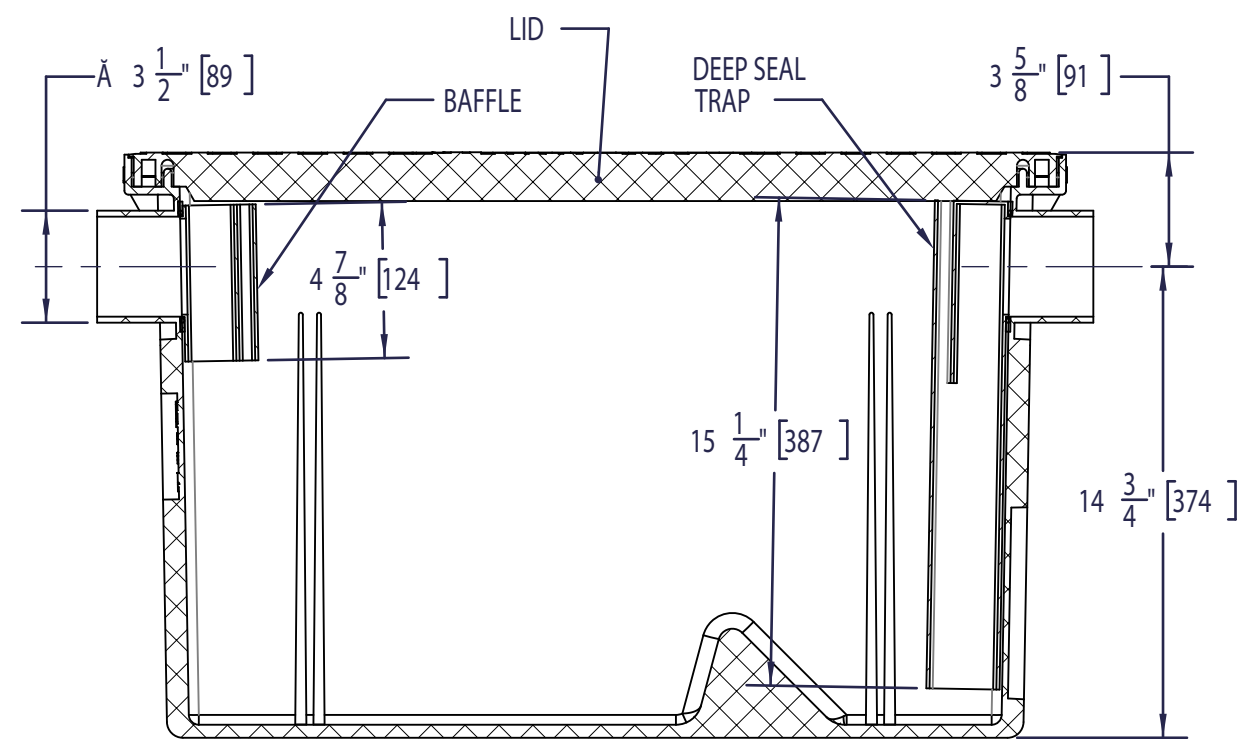


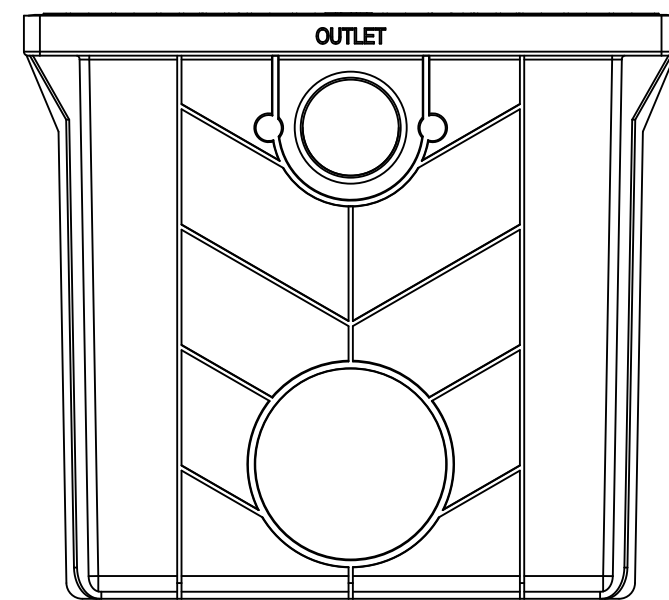
TOP



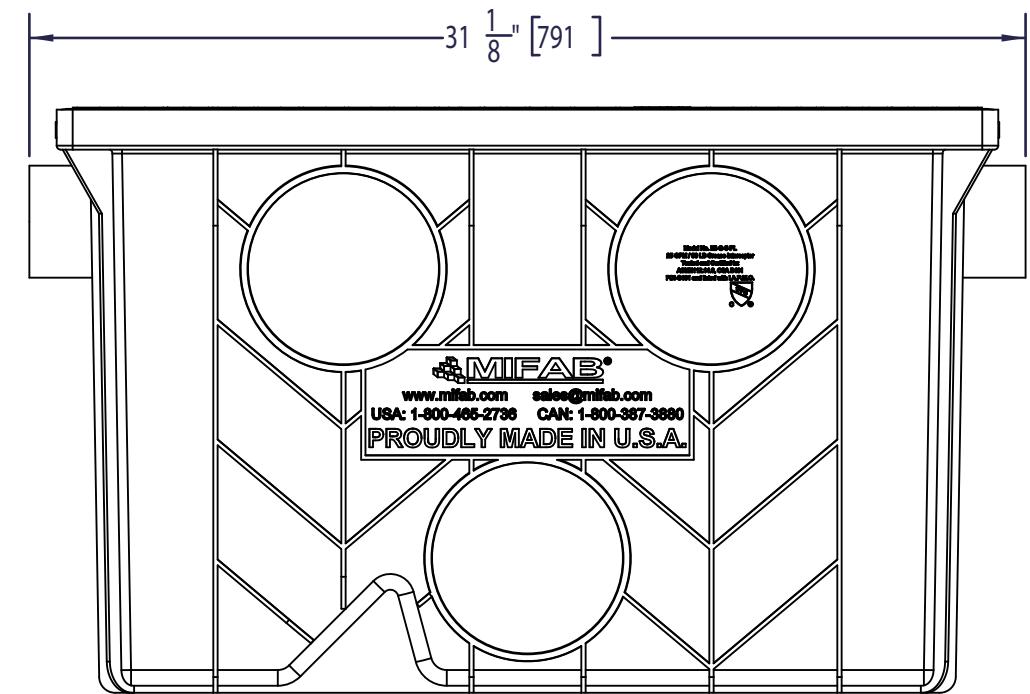
INLET



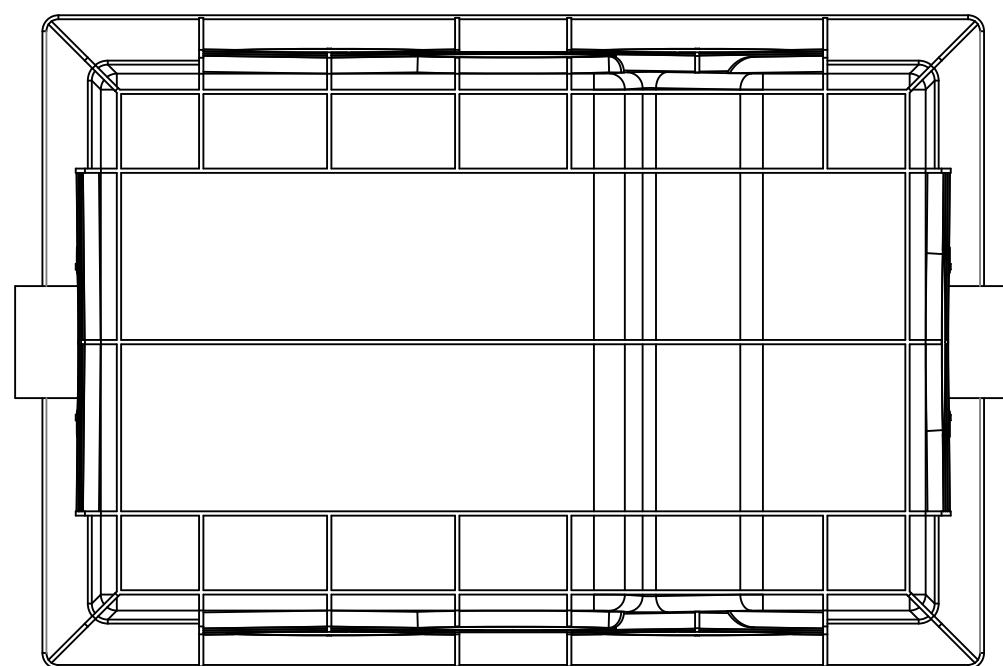
SECTION A-A



OUTLET



BACK



BOTTOM

PROPRIETARY AND CONFIDENTIAL
THE INFORMATION CONTAINED IN THIS
DRAWING IS THE SOLE PROPERTY OF
MIFAB. ANY REPRODUCTION IN PART OR AS A WHOLE
WITHOUT THE WRITTEN PERMISSION OF
MIFAB IS PROHIBITED.

LASER/SHEAR:	UNLESS OTHERWISE SPECIFIED:	NAME	DATE	
BRAKE PRESS:	DIMENSIONS ARE IN INCHES	DRAWN	RL	
WELDED BY:	TOLERANCES:	CHECKED		XX
CLEAN/PAINT:	FRACTIONAL: $\pm 1/16$	ENG APPR.		
COMPLETED BY:	ANGULAR: MACH ± 1 BEND ± 1 A	MFG APPR.		
REVIEWED BY:	TWO PLACE DECIMAL: $\pm .015$	QA.		
NEXT ASSY	THREE PLACE DECIMAL: $\pm .010$	QUANTITY:		
USED ON	TYPICAL DRAFT ANGLE: 2	SEE-PO#		
APPLICATION	INTERPRET GEOMETRIC TOLERANCING PER:			
	MATERIAL: SEE-BOM			
	FINISH: CLEAN			
	DO NOT SCALE DRAWING			

TITLE:
25 GPM PLASTIC GREASE
INTERCEPTOR/ 50lb GREASE
CAP.

SIZE	DWG. NO.	REV
C	LIL-25	
SCALE: 1:6	WEIGHT:	SHEET 1 OF 1