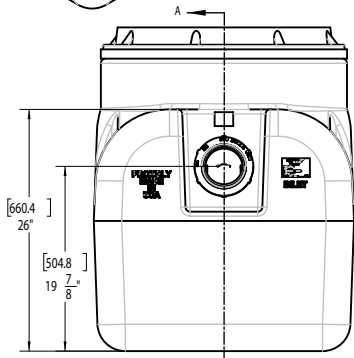
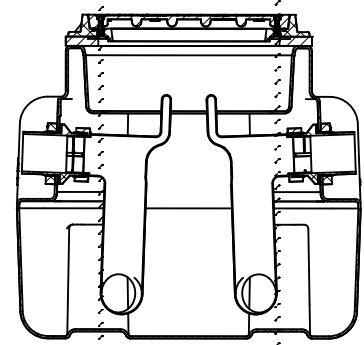


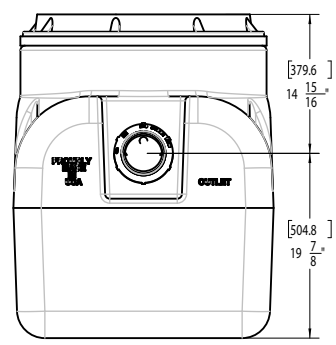
TOP VIEW



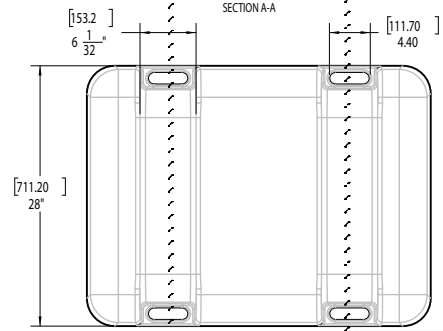
FRONT VIEW



SECTION A-A



BACK VIEW



BOTTOM VIEW

The minimum wall thickness is 0.375".

LASER/SHEAR:		UNLESS OTHERWISE SPECIFIED:		DATE:	6/4/22
BRAKE PRESS:		DIMENSIONS ARE IN INCHES		DRAWN:	MM
WELDED BY:		TOLERANCES:		CHECKED:	XX
CLEAN/PAIN:		FRACTIONAL: ± 1/16		ANGULAR MATCH ± 1/4 BEND ± 1/4	
COMPLETED BY:		TWO PLACE DECIMAL: ± 0.01		FINISH: ENGLAPP	
REVIEWED BY:		THREE PLACE DECIMAL: ± 0.005		MFG APP: [ ]	
NEXT ASSY:		TWO PLACE THOUS: ± 0.002		QTY:	
APPLICATION:		OTHER SPECIFICATION:		EXCER 8460	
		MATERIAL:		CLEAN	
		FINISH:		SEE-PO#	

**MIFAB**

TITLE: 50gpm Plastic Grease Interceptor/ 250lb Grease Cap.

SIZE: C DWG. NO.: BIG-500 REV: [ ]

SCALE: 1:8 WEIGHT: [ ] SHEET 1 OF 1