

4

3

2

1

D

D

C

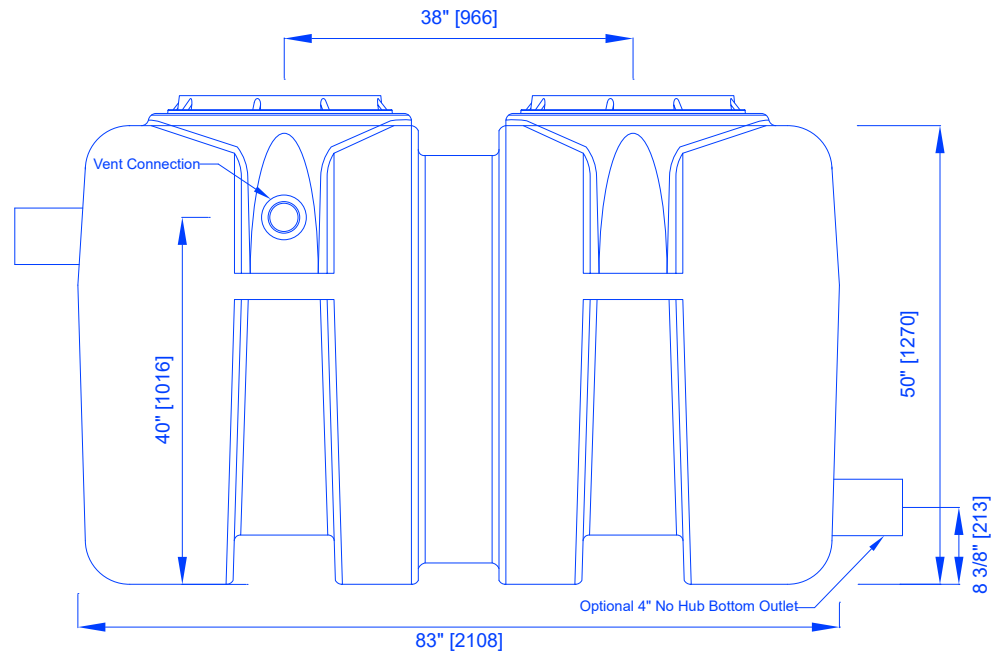
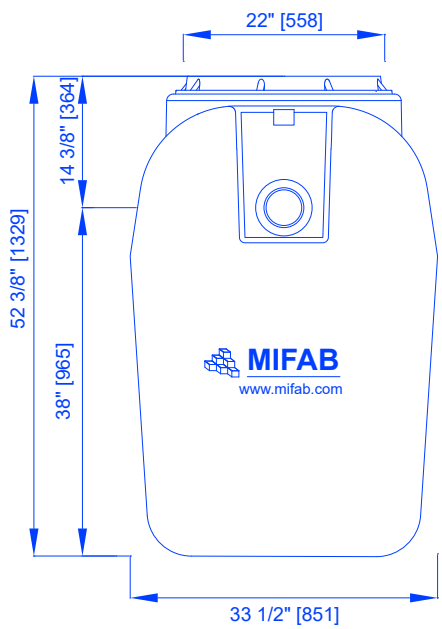
C

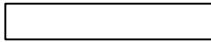
B

B

A

A



|   |              |               |
|---|--------------|---------------|
|  |              |               |
| <b>BIG-300-DECON</b>  |              |               |
| FLOW RATE -   | GREASE CAP - | XL-MI-D-PL-55 |
| Big Max Liquid Holding Capacity Decontamination tank                                  |              |               |

4

3

2

1