

4

3

2

1

D

D

C

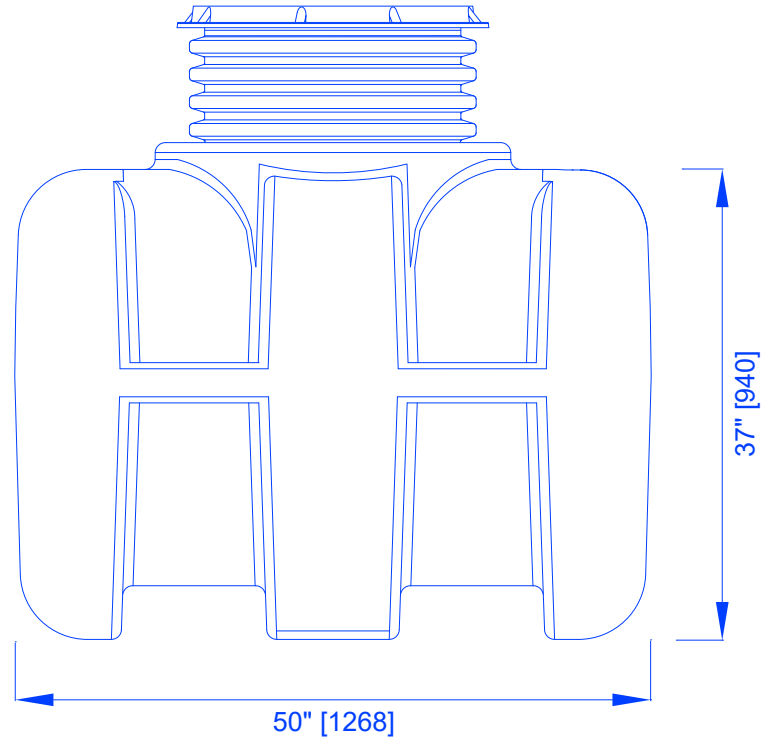
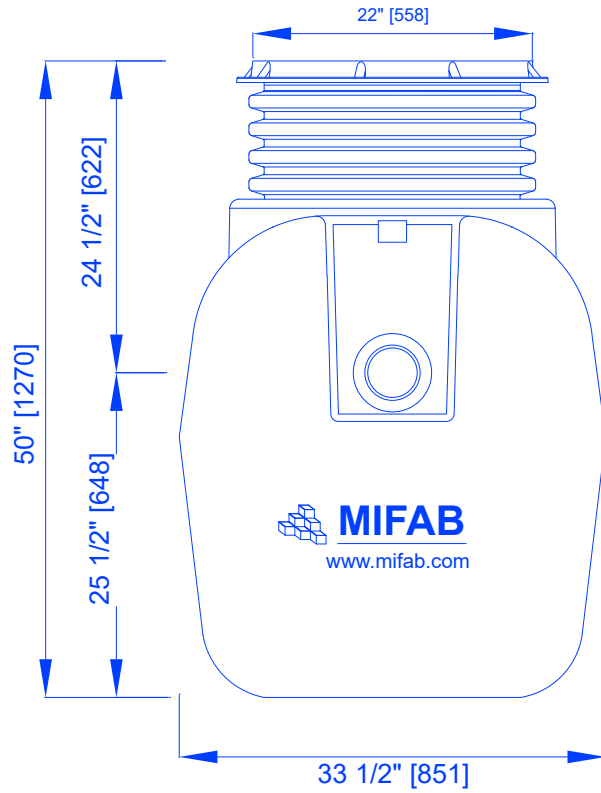
C

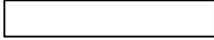
B

B

A

A



|   |       |               |               |
|---|-------|---------------|---------------|
|  |       |               |               |
| <b>BIG-140-L</b>  |       |               |               |
| FLOW RATE -   | 70GPM | GREASE CAP. - | XL-NI-L-PL-SS |
| 70GPM Big Max HDPE Fish Scale Interceptor   |       |               |               |

4

3

2

1