

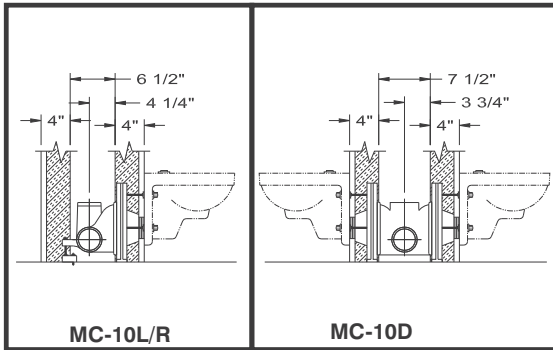
## HORIZONTAL AND VERTICAL ADJUSTABLE / FIXED CLOSET CARRIER MINIMUM SPACE REQUIREMENTS

Dimensions shown are minimum assuming carrier face plate and foot are built in wall and minimum length shortened coupling is used.

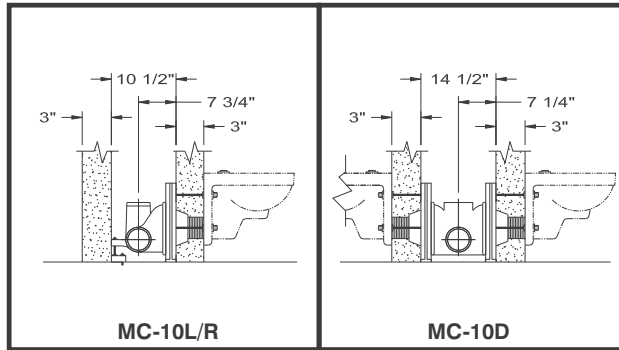
Dimensions shown are minimum assuming carrier fitting, face plate foot and rear anchor foot are located in pipe chase.

### HORIZONTAL ADJUSTABLE CARRIERS

#### IN WALL

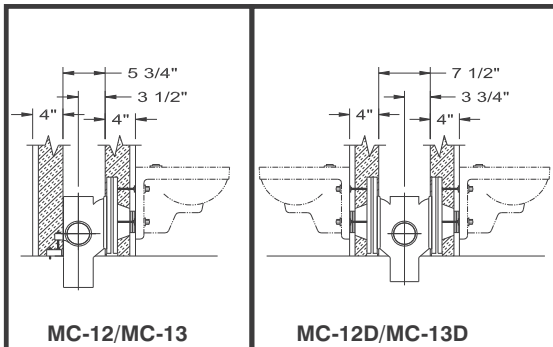


#### IN PIPE CHASE

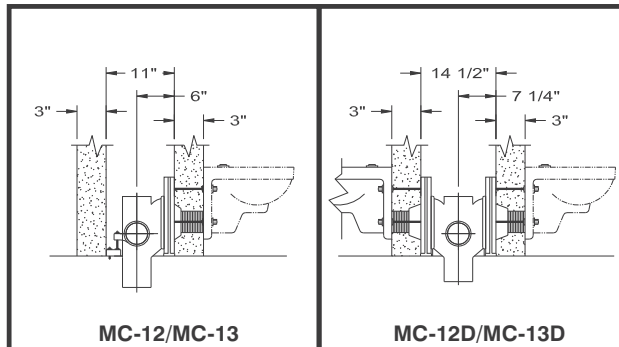


### VERTICAL ADJUSTABLE CARRIERS

#### IN WALL



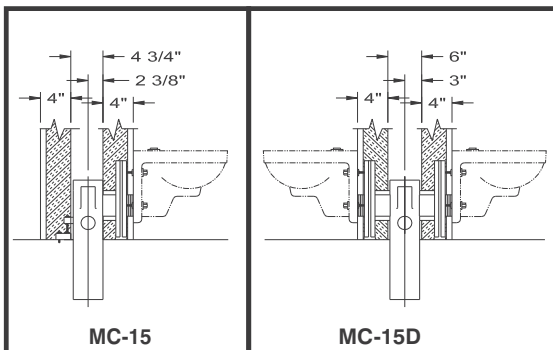
#### IN PIPE CHASE



FIXTURE CARRIERS

### VERTICAL FIXED OFFSET CARRIERS

#### IN WALL



#### IN PIPE CHASE

