



TDSS-2025

**STAINLESS
STEEL
DRAIN SYSTEMS
CATALOG
2025**

**TRENCH, FLOOR AND KETTLE
DRAINS, CLEANOUTS & ACCESSORIES**



**4", 8", 12" INTERNAL WIDTHS - SHALLOW BODY - CATCH BASINS
(6", 10" AND 14" OVERALL WIDTHS)**

LIT-072

 P6335 (page 7)	 P6030 (page 8)	 P6060 (page 10)	 P6080 (page 12)	 P6120 (page 14)
 P6060-LT (page 16)	 P6230 (page 18)	 P6260 (page 18)	 P6280 (page 19)	 P6220 (page 19)
 P6090-ELTD (page 20)	 P6120-ELTD (page 21)	 P6220-ELTD (page 22)	 P6460-THTD, P6480-THTD (page 23)	 P6560-THTD (page 23)
 P6130 (page 24)	 P6140 (page 25)	 P3060 (page 26)	 P3080 (page 27)	 P3080-S (page 28)
 P3100 (page 29)	 P3100-S (page 30)	 P3120 (page 31)	 P4120-4D (page 32)	 P4120-6D (page 32)
 P4120-8D (page 33)	 P4120-10D (page 33)	 P4080 (page 34)	 P3210 (page 35)	 P3230 (page 36)
 P3230-S (page 37)	 P7060 (page 38)	 P7060-S (page 38)	 P7080 (page 39)	 P7080-S (page 39)
 P5000 (page 40)	 P8300 (page 41)	 P8500 (page 41)	 P8100 / P8200 (page 42)	 P8400 (page 43)

CALIFORNIA PROPOSITION 65 WARNING. This product contains chemicals known to the State of California to cause cancer and birth defects or other reproductive harm.

TABLE OF CONTENTS

Clipfix Universal Grate Overview.....	4
Clipfix Universal Grate Locking Design and Channel / Grate Selection Guide	5
System Pricing.....	6
P6335 - 3" Wide, 3" Internal Width, Stainless Steel Slot Drain with 3/4" Slot Opening.....	7
P6030 - 4" Wide, 2" Internal Width, Stainless Steel Channel and Grate System	8
P6060 - 6" Wide, 4" Internal Width, Stainless Steel Channel and Grate System.....	10
P6080 - 10" Wide, 8" Internal Width, Stainless Steel Channel and Grate System.....	12
P6120 - 14" Wide, 12" Internal Width, Stainless Steel Channel and Grate System	14
P6060-LT - 6" Wide, 4" Internal Width, Stainless Steel Lint Trough Drain	16
Catch Basin Installation Guide.....	17
P6230 - 4" Wide, 2" Internal Width, Stainless Steel Frame and Grate System.....	18
P6260 - 6" Wide, 4" Internal Width, Stainless Steel Frame and Grate System	18
P6280 - 10" Wide, 8" Internal Width, Stainless Steel Frame and Grate System	19
P6220 - 14" Wide, 12" Internal Width, Stainless Steel Frame and Grate System	19
P6090-ELTD - 9" Wide, 7" Internal Width, Stainless Steel Elevator Trench Drain	20
P6120-ELTD - 12" Wide, 10" Internal Width, Stainless Steel Elevator Trench Drain	21
P6220-ELTD - 12" Wide, Stainless Steel Elevator Drain.....	22
P6460-THTD - 6" Wide, Stainless Steel Threshold Drain	23
P6480-THTD - 8" Wide, Stainless Steel Threshold Drain	23
P6560-THTD - 12" Wide, Stainless Steel Threshold Drain.....	23
P6130 - 18" Wide, 16" Internal Width, Stainless Steel Trench Drain	24
P6140 - 24" Wide, 22" Internal Width, Stainless Steel Trench Drain	25
P3060 - 6" Round, Adjustable Depth, Type 316 Stainless Steel Fabricated Floor Drain.....	26
P3080 - 8" Round, Adjustable Depth, Type 316 Stainless Steel Fabricated Floor Drain.....	27
P3080-S - 8" x 8", Adjustable Depth, Type 316 Stainless Steel Fabricated Floor Drain	28
P3100 - 12" Round, Adjustable Depth, Type 316 Stainless Steel Fabricated Floor Drain.....	29
P3100-S - 12" x 12" Square, Adjustable Depth, Type 316 Stainless Steel Fabricated Floor Drain	30
P3120 - 12" x 12", Adjustable Depth, Type 316 Stainless Steel Fabricated Floor Drain with Solid Cover, Perimeter Drainage	31
P4120-4D - 12" x 12" x 4" Stainless Steel Fabricated Floor Sink.....	32
P4120-6D - 12" x 12" x 6" Stainless Steel Fabricated Floor Sink.....	32
P4120-8D - 12" x 12" x 8" Stainless Steel Fabricated Floor Sink.....	33
P4120-10D - 12" x 12" x 10" Stainless Steel Fabricated Floor Sink	33
P4080 - 8" x 8", 6" Deep Stainless Steel Fabricated Floor Sink with Radiused inside Sump.....	34
P3210 - 8" Round, 3 1/2" Deep, Type 316 Stainless Steel Fabricated, Funnel Drain	35
P3230 - 12" Round, 7" Deep, Type 316 Stainless Steel Fabricated, Funnel Drain.....	36
P3230-S - 12" Square, 7" Deep, Type 316 Stainless Steel Fabricated, Funnel Drain.....	37
P7060 - 6" Round, Type 316 Stainless Steel Fabricated, Industrial Floor Cleanout.....	38
P7060-S - 6" Square, Type 316 Stainless Steel Fabricated, Industrial Floor Cleanout.....	38
P7080 - 8" Round, Type 316 Stainless Steel Fabricated, Industrial Floor Cleanout	39
P7080-S - 8" Square, Type 316 Stainless Steel Fabricated, Industrial Floor Cleanout.....	39
P5000 - Stainless Steel Kettle Drain.....	40
P8300 - Type 316 Fabricated Stainless Steel Hub Drain	41
P8500 - Type 316 Fabricated Stainless Steel P-Trap	41
P8100 / P8200 - Stainless Steel Fabricated Downspout Boot	42
P8400 - Stainless Steel Fabricated Washing Machine Box	43
Common Questions and Answers	44, 45
Custom Fabrication.....	46
Advantages of Stainless Steel.....	47
Grate Load Class Definitions	48
Chemical Resistance Chart	49
Project References.....	50 - 51
Stainless Steel Threshold Elevator Trench Drain Flow Rate Test Report	52
Terms and Warranties.....	53
Cross Reference	54

CALIFORNIA PROPOSITION 65 WARNING. This product contains chemicals known to the State of California to cause cancer and birth defects or other reproductive harm.

Visit www.mifab.com for the most recent product information. Design and dimensions are subject to modification. Prices do not include applicable taxes.

Toll Free: 1-800-465-2736, Fax: 1-773-341-3049
 sales@mifab.com Canada Toll Free: 1-800-387-3880

MIFAB®, Inc., 1321 West 119th Street, Chicago, Illinois 60643-5109, USA
 All sales subject to MIFAB's Terms and Warranties. Please refer to page 53.

CLIPFIX UNIVERSAL GRATE OVERVIEW

STAINLESS STEEL - SLOTTED

P6030 P6230
P6060 P6260

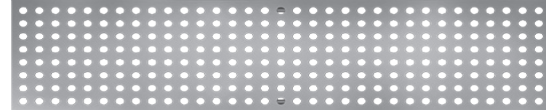


Load Class A, C for all models, E for P6060 and P6260

STAINLESS STEEL - PERFORATED



P6030 P6230
P6060 P6260
P6080 P6280



Load Class A, C

PLASTIC - LONGITUDINAL



P6060 P6260

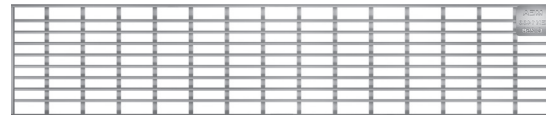


Load Class A

STAINLESS STEEL - MESH



P6060 P6260
P6080 P6280
P6120 P6220



Load Class A, C

PLASTIC - SLOTTED



P6060 P6260



Load Class C

STAINLESS STEEL - LONGITUDINAL



P6030 P6230
P6060 P6260
P6080 P6280
P6120 P6220



Load Class B

DUCTILE IRON - SLOTTED

P6060 P6260
P6080 P6280
P6120 P6220



Load Class C, E

DUCTILE IRON - WAVE

P6060 P6260
P6080 P6280
P6120 P6220

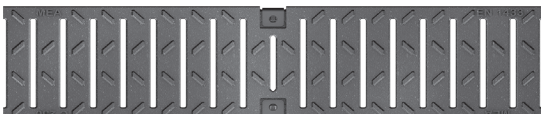


Load Class C

DUCTILE IRON - HEELPROOF



P6060 P6260
P6080 P6280
P6120 P6220

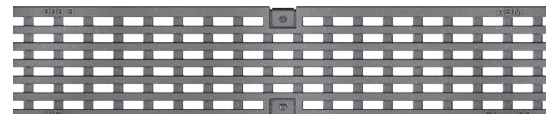


Load Class C, E

DUCTILE IRON - LONGITUDINAL



P6060 P6260
P6080 P6280
P6120 P6220



Load Class E

DUCTILE IRON - BAVARIA

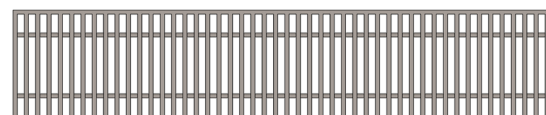
P6060 P6260
P6080 P6280



Load Class C

STAINLESS STEEL - BAR

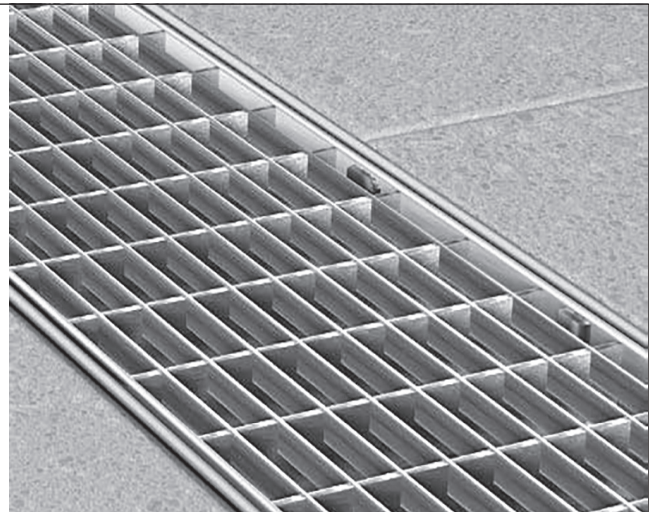
P6060 P6260
P6080 P6280
P6120 P6220



Load Class E

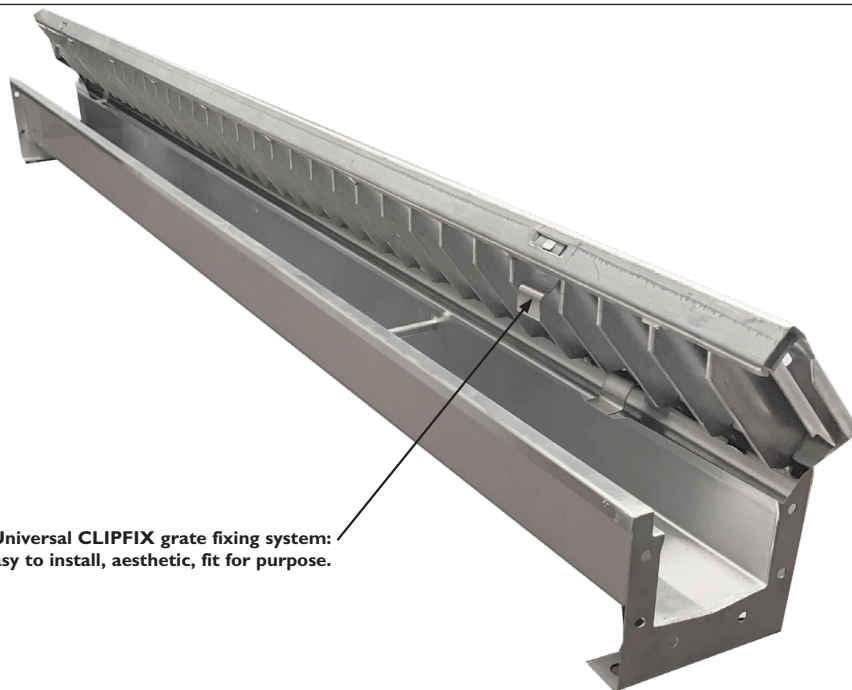
CALIFORNIA PROPOSITION 65 WARNING. This product contains chemicals known to the State of California to cause cancer and birth defects or other reproductive harm.

CLIPFIX UNIVERSAL GRATE LOCKING DESIGN



The MIFAB stainless steel channels have been designed and optimized for our universal CLIPFIX grate fixing mechanism. The advantage: a large choice of grates and an easy to understand product offering. CLIPFIX not available with P6030 and P6230.

Thanks to the CLIPFIX system, the channel and the grates do not have locking devices or screws visible from the outside.



Universal CLIPFIX grate fixing system: easy to install, aesthetic, fit for purpose.

CHANNEL / GRATE SELECTION GUIDE

	CHANNEL EDGE RAIL MATERIAL	GRATES				
		Stainless Steel	Galvanized	Ductile Iron	Galvanized Ductile Iron	Plastic
Stainless Steel Systems	Stainless Steel Channels	X		X		X

CALIFORNIA PROPOSITION 65 WARNING. This product contains chemicals known to the State of California to cause cancer and birth defects or other reproductive harm.

Visit www.mifab.com for the most recent product information. Design and dimensions are subject to modification. Prices do not include applicable taxes.

Toll Free: 1-800-465-2736, Fax: 1-773-341-3049
 sales@mifab.com Canada Toll Free: 1-800-387-3880

MIFAB®, Inc., 1321 West 119th Street, Chicago, Illinois 60643-5109, USA
 All sales subject to MIFAB®'s Terms and Warranties. Please refer to page 53.

SYSTEM PRICING

P6030 - 2" Internal Width (Stainless Steel Channel)				
GRATE LOAD CLASS	GRATE MATERIAL	GRATE DESIGN	GRATE SUFFIX	LIST PRICE (Per Foot)
A	Stainless Steel	Perforated	PGA-3-FP	\$528.74
A	Stainless Steel	Heelproof Slotted	PGA-3-HP	\$528.74
B	Stainless Steel	Wedgewire, Longitudinal Slotted	PGB-3-WW	\$588.11
C	Stainless Steel	Heelproof Slotted	PGC-3-HP	\$653.94
C	Stainless Steel	Perforated	PGC-3-FP	\$653.94

P6060 - 4" Internal Width (Stainless Steel Channel)				
GRATE LOAD CLASS	GRATE MATERIAL	GRATE DESIGN	GRATE SUFFIX	LIST PRICE (Per Foot)
A	Stainless Steel	Perforated	PGA-3-FP	\$560.20
A	Stainless Steel	Slotted	PGA-3-FS	\$560.20
A	Stainless Steel	Mesh	PGA-3-SM	\$595.02
A	Black Plastic	Longitudinal Slotted	PGA-HPP-BLK	\$518.42
A	Grey Plastic	Longitudinal Slotted	PGA-HPP-GRY	\$518.42
B	Stainless Steel	Longitudinal, Anti slip	PGB-B-WW	\$860.92
C	Stainless Steel	Slotted	PGC-3-FS	\$662.08
C	Stainless Steel	Perforated	PGC-3-FP	\$662.08
C	Black Plastic	Slotted	PGC-HPP	\$545.93
C	Stainless Steel	Mesh	PGC-3-SM	\$770.52
C	Stainless Steel	Paverslot	PGC-3-SD	\$635.21
C	Ductile Iron	Slotted	PGC-4	\$516.21
C	Ductile Iron	Heelproof, Slotted	PGC-4-HP	\$544.99
C	Ductile Iron	Longitudinal Slotted Avail. March, /25	PGC-4-ADA	\$544.99
C	Ductile Iron	Solid Cover	SCC-4	\$545.16
C	Ductile Iron	WAVE	PGC-4-WVY	\$545.16
C	Ductile Iron	Bavaria	PGC-4-BG	\$545.16
E	Ductile Iron	Heelproof, Slotted	PGE-4-HP	\$575.26
E	Ductile Iron	Longitudinal	PGE-4-ADA	\$575.26
E	Ductile Iron	Slotted	PGE-4	\$535.90
E	Stainless Steel	Slotted	PGE-3-FS	\$722.31
E	Stainless Steel	Bar	PGE-3-SBG	\$786.78

P6080 - 8" Internal Width (Stainless Steel Channel)				
GRATE LOAD CLASS	GRATE MATERIAL	GRATE DESIGN	GRATE SUFFIX	LIST PRICE (Per Foot)
A	Stainless Steel	Mesh	PGA-3-SM	\$1,126.83
B	Stainless Steel	Longitudinal, Anti slip	PGB-B-WW	\$1,126.83
C	Stainless Steel	Mesh	PGC-3-SM	\$1,269.98
C	Stainless Steel	Paverslot	PGC-3-SD	\$763.96
C	Ductile Iron	WAVE	PGC-4-WVY	\$647.57
C	Ductile Iron	Bavaria	PGC-4-BG	\$647.57
C	Ductile Iron	Slotted	PGC-4	\$575.82
C	Ductile Iron	Heelproof, Slotted	PGC-4-HP	\$647.57
E	Ductile Iron	Slotted	PGE-4	\$627.91
E	Ductile Iron	Heelproof, Slotted	PGE-4-HP	\$683.47
E	Ductile Iron	Longitudinal	PGE-4-ADA	\$683.47
E	Stainless Steel	Bar	PGE-3-SBG	\$1,265.06

P6120 - 12" Internal Width (Stainless Steel Channel)				
GRATE LOAD CLASS	GRATE MATERIAL	GRATE DESIGN	GRATE SUFFIX	LIST PRICE (Per Foot)
C	Stainless Steel	Mesh	PGC-3-SM	\$1,503.00
C	Ductile Iron	Slotted	PGC-4	\$603.12
C	Ductile Iron	Heelproof, Slotted	PGC-4-HP	\$662.17
C	Ductile Iron	WAVE	PGC-4-WVY	\$789.23
E	Ductile Iron	Slotted	PGE-4	\$678.41
E	Ductile Iron	Heelproof, Slotted	PGE-4-HP	\$762.57
E	Ductile Iron	Longitudinal	PGE-4-ADA	\$762.57
E	Ductile Iron	Solid Cover	SCE-4	\$762.11
E	Stainless Steel	Bar	PGE-3-SBG	\$1,578.76

P6230 - 3" Wide (Stainless Steel Frame)				
GRATE LOAD CLASS	GRATE MATERIAL	GRATE DESIGN	GRATE SUFFIX	LIST PRICE (Per Foot)
A	Stainless Steel	Perforated	PGA-3-FP	\$420.18
A	Stainless Steel	Heelproof Slotted	PGA-3-HP	\$420.18
B	Stainless Steel	Wedgewire, Longitudinal Slotted	PGB-3-WW	\$479.55
C	Stainless Steel	Heelproof Slotted	PGC-3-HP	\$545.38
C	Stainless Steel	Perforated	PGC-3-FP	\$545.38

P6260 - 4" Wide (Stainless Steel Frame)				
GRATE LOAD CLASS	GRATE MATERIAL	GRATE DESIGN	GRATE SUFFIX	LIST PRICE (Per Foot)
A	Stainless Steel	Perforated	PGA-3-FP	\$459.24
A	Stainless Steel	Slotted	PGA-3-FS	\$459.24
A	Stainless Steel	Mesh	PGA-3-SM	\$494.06
A	Black Plastic	Longitudinal Slotted	PGA-HPP-BLK	\$417.46
A	Grey Plastic	Longitudinal Slotted	PGA-HPP-GRY	\$417.46
B	Stainless Steel	Longitudinal, Anti slip	PGB-B-WW	\$759.96
C	Stainless Steel	Slotted	PGC-3-FS	\$561.12
C	Stainless Steel	Perforated	PGC-3-FP	\$561.12
C	Black Plastic	Slotted	PGC-HPP	\$444.97
C	Stainless Steel	Mesh	PGC-3-SM	\$669.56
C	Stainless Steel	Paverslot	PGC-3-SD	\$534.25
C	Ductile Iron	Slotted	PGC-4	\$415.25
C	Ductile Iron	Heelproof, Slotted	PGC-4-HP	\$444.03
C	Ductile Iron	Longitudinal Slotted Avail. March, /25	PGC-4-ADA	\$444.03
C	Ductile Iron	Solid Cover	SCC-4	\$444.20
C	Ductile Iron	WAVE	PGC-4-WVY	\$444.20
C	Ductile Iron	Bavaria	PGC-4-BG	\$444.20
E	Ductile Iron	Heelproof, Slotted	PGE-4-HP	\$474.30
E	Ductile Iron	Longitudinal	PGE-4-ADA	\$474.30
E	Ductile Iron	Slotted	PGE-4	\$434.94
E	Stainless Steel	Slotted	PGE-3-FS	\$621.35
E	Stainless Steel	Bar	PGE-3-SBG	\$685.82

P6280 - 10" Wide (Stainless Steel Frame)				
GRATE LOAD CLASS	GRATE MATERIAL	GRATE DESIGN	GRATE SUFFIX	LIST PRICE (Per Foot)
A	Stainless Steel	Mesh	PGA-3-SM	\$1,582.21
B	Stainless Steel	Longitudinal, Anti slip	PGB-B-WW	\$1,582.21
C	Stainless Steel	Mesh	PGC-3-SM	\$1,725.36
C	Stainless Steel	Paverslot	PGC-3-SD	\$1,219.34
C	Ductile Iron	WAVE	PGC-4-WVY	\$1,102.95
C	Ductile Iron	Bavaria	PGC-4-BG	\$1,102.95
C	Ductile Iron	Slotted	PGC-4	\$1,031.20
C	Ductile Iron	Heelproof, Slotted	PGC-4-HP	\$1,102.95
E	Ductile Iron	Slotted	PGE-4	\$1,083.29
E	Ductile Iron	Heelproof, Slotted	PGE-4-HP	\$1,138.85
E	Ductile Iron	Longitudinal	PGE-4-ADA	\$1,138.85
E	Stainless Steel	Bar	PGE-3-SBG	\$1,720.44

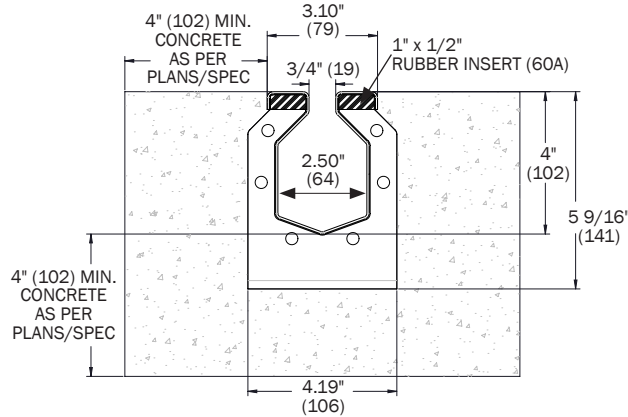
P6220 - 12" Wide (Stainless Steel Frame)				
GRATE LOAD CLASS	GRATE MATERIAL	GRATE DESIGN	GRATE SUFFIX	LIST PRICE (Per Foot)
C	Stainless Steel	Mesh	PGC-3-SM	\$2,208.06
C	Ductile Iron	Slotted	PGC-4	\$1,308.18
C	Ductile Iron	Heelproof, Slotted	PGC-4-HP	\$1,367.23
C	Ductile Iron	WAVE	PGC-4-WVY	\$1,494.29
E	Ductile Iron	Slotted	PGE-4	\$1,383.47
E	Ductile Iron	Heelproof, Slotted	PGE-4-HP	\$1,467.63
E	Ductile Iron	Longitudinal	PGE-4-ADA	\$1,467.63
E	Ductile Iron	Solid Cover	SCE-4	\$1,467.17
E	Stainless Steel	Bar	PGE-3-SBG	\$2,283.82



See page 45 for explanation of ADA and Heelproof compliant grates

NOTE: The ClipFix locking clips are included with all of the above Class A - E grates. 45s, 90s, catch basins, outlets, end caps & installation devices are priced separately & not included in the above System Pricing. (See Pages 8, 10, 12, 14)

CALIFORNIA PROPOSITION 65 WARNING. This product contains chemicals known to the State of California to cause cancer and birth defects or other reproductive harm.



Specifying engineer is responsible for concrete encasement and reinforcing based upon application and local codes.

SPECIFICATION:

MIFAB® Series P6335, 3/4" wide slot with a 3" internal throat width, 16 gauge fabricated Type 304 stainless steel neutral trench drain in one and two meter channel lengths. Channels have a bead blast finish and flanged ends to connect to each other with a neoprene rubber gasket in between. End and bottom outlets available in 2" no hub outlet connections.

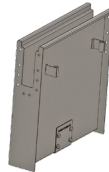
FUNCTION:

Used in kitchens, food processing and other sanitary areas that require a narrow opening to collect wastewater. Stainless steel construction provides an anti - microbial finish.

P6335-HDW - Universal gasket for connecting channels, end caps and end outlets with hardware included with every channel, end cap / end outlet ordered

CHANNEL#	LENGTH	WEIGHT Lbs.	C1 (Shallow Invert)	C2 (Deep Invert)	List Price / Ea. Channel	List Price / Foot
P6335-PB	78.74" (2m)	20	4"	4"	\$4,433.55	\$675.85
P6335-PB-1M	39.37" (1m)	11	4"	4"	\$2,216.78	\$675.85
P6335-PB-B02	78.74" (2m)	20	4"	4"	\$4,433.55	\$675.85

P6030-CB320-S02



P6030-CB320: (includes sediment bucket, transition plate and P6030-PCB320-S02 2" no hub side outlet).

P6335-PEO End Outlet

P6335-PEC End Cap

MODEL #	DESCRIPTION	MATERIAL	LIST PRICE	WEIGHT (Lbs.)
P6030-CB320	3" x 20" Catch Basin with transition plate and P6030-PCB320-S02, 2" no hub side outlet. (See Page 17 for Catch Basin dimensions and sediment bucket option)	Type 304 Stainless Steel	\$6,958.00	10.00
P6335-PEO	2" No Hub End Outlet	Type 304 Stainless Steel	\$442.00	2.00
P6335-PEC	Closed End Cap	Type 304 Stainless Steel	\$442.00	2.00
-29	Type 316 Stainless Steel Channel	Type 316 Stainless Steel	Contact MIFAB®	-
-FL	Anchor (Waterproofing) flange	Type 304 Stainless Steel	\$585.97 / Meter, \$178.65 / Foot	-
-FLC	Membrane clamp (includes anchor flange)	Type 304 Stainless Steel	\$871.55 / Meter, \$265.72 / Foot	-

NOTE: Flow rate information per channel section is available on the www.mifab.com website

Note: List Price to cut a channel to a custom length is **\$420.00** per channel.

NOTE: Custom lengths, widths, depths, slopes and profiles available upon request. Contact MIFAB®.

Note: The neoprene gasket used to connect long runs of trench drain bodies is not recommended for use with caustic or harsh chemicals. In these cases, it is recommended that the trench drain channels be welded together on site.

CALIFORNIA PROPOSITION 65 WARNING. This product contains chemicals known to the State of California to cause cancer and birth defects or other reproductive harm.

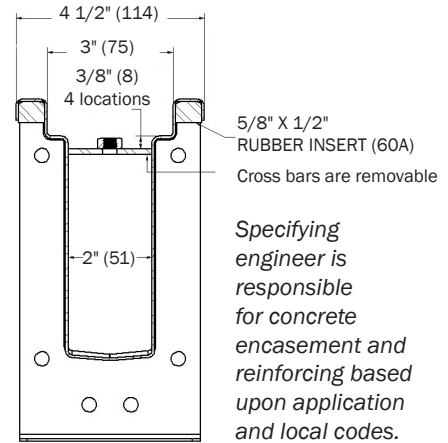
Visit www.mifab.com for the most recent product information. Design and dimensions are subject to modification. Prices do not include applicable taxes.

Toll Free: 1-800-465-2736, Fax: 1-773-341-3049
sales@mifab.com Canada Toll Free: 1-800-387-3880

MIFAB®, Inc., 1321 West 119th Street, Chicago, Illinois 60643-5109, USA
All sales subject to MIFAB®'s Terms and Warranties. Please refer to page 53.



SCAN ME



SPECIFICATION:

MIFAB® Series P6030, 4" wide, 2" internal width, 16 gauge fabricated Type 304 stainless steel presloped trench drain (1% / 1/8" per foot). Channels are available in one and two meter lengths, have flanged ends to connect to each other with a neoprene rubber gasket in between. End outlets are available in 2" no hub only and bottom outlets are available in either 2" or 3" no hub outlet connections.

P6030-HDW - Universal gasket for connecting channels, end caps and end outlets with hardware included with every channel, end cap / end outlet ordered.

CHANNEL#	LENGTH	WEIGHT (LESS GRATE) Lbs.	C1 (Shallow invert)	C2 (Deep Invert)	END OUTLET #	END CAP SHALLOW END #	END CAP DEEP END #	List Price / Ea. Channel	List Price / Foot
P6031-PB	78.74" (2m)	19	3" (50.8)	3.78" (96)	-	P6031-PEC	P6031N-PEC	\$2,989.98	\$455.81
P6031N-PB	78.74" (2m)	20	3.78" (96)	3.78" (96)	-	P6031N-PEC	P6031N-PEC	\$2,989.98	\$455.81
P6031N-PB-B02	78.74" (2m) (w/2" BO)	21	3.78" (96)	3.78" (96)	-	P6031N-PEC	P6031N-PEC	\$2,989.98	\$455.81
P6031N-PB-B03	78.74" (2m) (w/3" BO)	21	3.78" (96)	3.78" (96)	-	P6031N-PEC	P6031N-PEC	\$2,989.98	\$455.81
P6031N-PB-1M	39.37" (1m)	10	3.78" (96)	3.78" (96)	-	P6031N-PEC	P6031N-PEC	\$1,495.06	\$455.81
P6032-PB	78.74" (2m)	22	3.78" (96)	4.75" (121)	-	P6031N-PEC	P6032-PEC	\$2,989.98	\$455.81
P6033-PB	78.74" (2m)	24	4.75" (121)	5.36" (136)	P6033-PEO2 / P6033-PEO3	P6032-PEC	P6033-PEC	\$2,989.98	\$455.81
P6033-PB-B03	78.74" (2m)	25	4.75" (121)	5.36" (136)	P6033-PEO2 / P6033-PEO3	P6032-PEC	P6033-PEC	\$2,989.98	\$455.81
P6033N-PB	78.74" (2m)	25	5.36" (136)	5.36" (136)	P6033-PEO2 / P6033-PEO3	P6033-PEC	P6033-PEC	\$2,989.98	\$455.81
P6033N-PB-B02	78.74" (2m) (w/2" BO)	25	5.36" (136)	5.36" (136)	-	P6033-PEC	P6033-PEC	\$2,989.98	\$455.81
P6033N-PB-B03	78.74" (2m) (w/3" BO)	25	5.36" (136)	5.36" (136)	-	P6033-PEC	P6033-PEC	\$2,989.98	\$455.81
P6033N-PB-1M	39.37" (1m)	13	5.36" (136)	5.36" (136)	P6033-PEO2 / P6033-PEO3	P6033-PEC	P6033-PEC	\$1,495.06	\$455.81
P6034-PB	78.74" (2m)	26	5.36" (136)	6.15" (156)	P6034-PEO2 / P6034-PEO3	P6033-PEC	P6034-PEC	\$2,989.98	\$455.81
P6035-PB	78.74" (2m)	28	6.15" (156)	6.94" (176)	P6034-PEO2 / P6034-PEO3	P6034-PEC	P6035-PEC	\$2,989.98	\$455.81
P6035-PB-B03	78.74" (2m)	29	6.15" (156)	6.94" (176)	P6034-PEO2 / P6034-PEO3	P6034-PEC	P6035-PEC	\$2,989.98	\$455.81
P6035N-PB	78.74" (2m)	30	6.94" (176)	6.94" (176)	P6034-PEO2 / P6034-PEO3	P6035-PEC	P6035-PEC	\$2,989.98	\$455.81
P6035N-PB-B02	78.74" (2m) (w/2" BO)	30	6.94" (176)	6.94" (176)	-	P6035-PEC	P6035-PEC	\$2,989.98	\$455.81
P6035N-PB-B03	78.74" (2m) (w/3" BO)	30	6.94" (176)	6.94" (176)	-	P6035-PEC	P6035-PEC	\$2,989.98	\$455.81
P6035N-PB-1M	39.37" (1m)	15	6.94" (176)	6.94" (176)	P6034-PEO2 / P6034-PEO3	P6035-PEC	P6035-PEC	\$1,495.06	\$455.81

(dimension) denotes mm

P6030-CB320
(includes end cap, transition plate and 2" no hub side outlet).

P6030-PEO End Outlet

See chart above for relevant depth outlet and end cap.

P6030-PEC End Cap

Suffix -20 Bottom Outlet Strainer

MODEL #	DESCRIPTION	MATERIAL	LIST PRICE	WEIGHT (Lbs.)
P6030-CB320	3" x 20" Catch Basin (includes transition plate and 2" no hub side outlet). (See Page 17 for Catch Basin dimensions and sediment bucket option)	Type 304 Stainless Steel	\$6,958.00	10.00
P6030-PEO	2" No Hub End Outlet	Type 304 Stainless Steel	\$442.00	2.00
P6030-PEC	Closed End Cap	Type 304 Stainless Steel	\$442.00	2.00
-6	Vandal Proof, (Center Lockdown)	Type 304 Stainless Steel	\$15.75	1.00
-20	Bottom Outlet Strainer (2" - P6030-B02-ST, 3" - P6030-B03-ST)	Type 304 Stainless Steel	\$465.15	2.00
-29	Type 316 Stainless Steel Channel	Type 316 Stainless Steel	Contact MIFAB	-
-45	45 Degree fabricated body	Type 304 Stainless Steel	\$3,657.15	-
-90	90 Degree fabricated body	Type 304 Stainless Steel	\$3,657.15	-
-CF	Cross fabricated body	Type 304 Stainless Steel	\$7,311.15	-
-FL	Anchor (Waterproofing) flange	Type 304 Stainless Steel	\$528.10 / Meter, \$161.01 / Foot	-
-FLC	Membrane clamp (includes anchor flange)	Type 304 Stainless Steel	\$871.55 / Meter, \$265.72 / Foot	-
-NOZ	Wash down spray nozzle connection (1/2" NPT.)	Type 304 Stainless Steel	\$150.00	-
-TEE	Tee fabricated body	Type 304 Stainless Steel	\$3,657.15	-

NOTE: Flow rate information per channel section is available on the www.mifab.com website

Note: List Price to cut a channel to a custom length is **\$420.00** per channel.

NOTE: Custom lengths, widths, depths, slopes and profiles available upon request. Contact MIFAB®.

Note: The neoprene gasket used to connect long runs of trench drain bodies is not recommended for use with caustic or harsh chemicals. In these cases, it is recommended that the trench drain channels be welded together on site.

CALIFORNIA PROPOSITION 65 WARNING. This product contains chemicals known to the State of California to cause cancer and birth defects or other reproductive harm.

LOAD CLASS A GRATES - EN 1433 - 3,372 LBS., 15kN, 70 P.S.I.

Grate Part #	Description	Length (MM)	List Price	List Price (Per Foot)	Weight	Grate Free Area (Sq. in. /ft.)
T50-PGA-3-FP	Class A Stainless Steel Perforated Grate, 1 meter	39.37" (1000)	\$239.21	\$72.93	3.85	8.08
T50-PGA-3-FP-500	Class A Stainless Steel Perforated Grate, 1/2 meter	19.69" (500)	\$151.94	\$92.65	2.09	8.08
T50-PGA-3-HP	Class A Stainless Steel Slotted Heelproof Grate, 1 meter	39.37" (1000)	\$239.21	\$72.93	3.12	13.31
T50-PGA-3-HP-500	Class A Stainless Steel Slotted Heelproof Grate, 1/2 meter	19.69" (500)	\$151.94	\$92.65	2.40	13.31

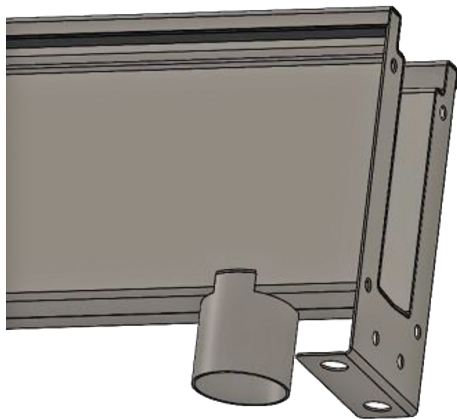
LOAD CLASS B GRATES - EN 1433 - 28,100 LBS., 125kN, 580 P.S.I.

T50-PGB-3-WW	Class B Stainless Steel Wedgewire Non-Slip Grate, 1 meter	39.37" (1000)	\$433.94	\$132.30	6.00	26.52
T50-PGB-3-WW-500	Class B Stainless Steel Wedgewire Non-Slip Grate, 1/2 meter	19.69" (500)	\$260.19	\$158.65	4.00	26.52

LOAD CLASS C GRATES - EN 1433 - 56,200 LBS., 250kN, 1,160 P.S.I.

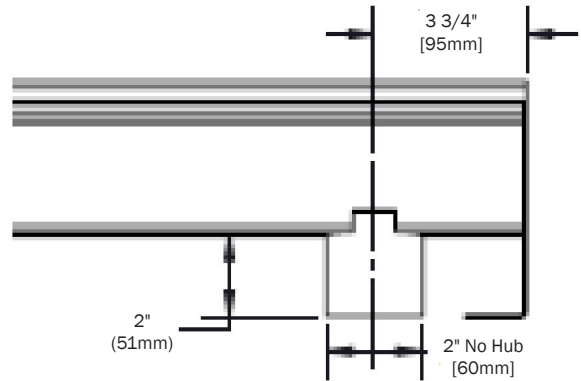
T50-PGC-3-FP	Class C Stainless Steel Perforated Grate, 1 meter	39.37" (1000)	\$649.86	\$198.13	9.04	8.08
T50-PGC-3-FP-500	Class C Stainless Steel Perforated Grate, 1/2 meter	19.69" (500)	\$395.04	\$240.88	4.51	8.08
T50-PGC-3-HP	Class C Stainless Steel Slotted Heelproof Grate, 1 meter	39.37" (1000)	\$649.86	\$198.13	9.32	13.31
T50-PGC-3-HP-500	Class C Stainless Steel Slotted Heelproof Grate, 1/2 meter	19.69" (500)	\$395.04	\$240.88	4.62	13.31

P6035N-BO2 - Bottom Outlet Detail



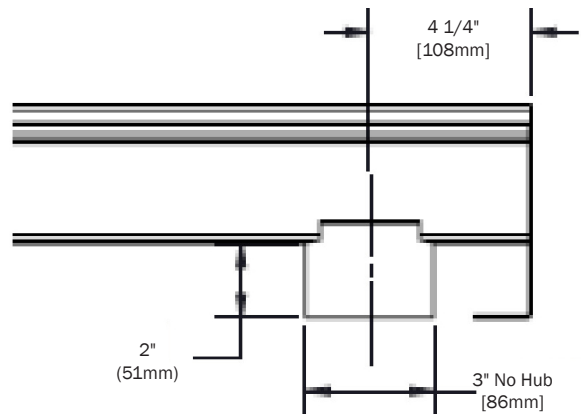
2" No Hub bottom outlet detail

**P6031N-BO2
P6033N-BO2
P6035N-BO2**



3" No Hub bottom outlet detail

**P6031N-BO3
P6033N-BO3
P6035N-BO3**



See page 45 for explanation of ADA compliant grates



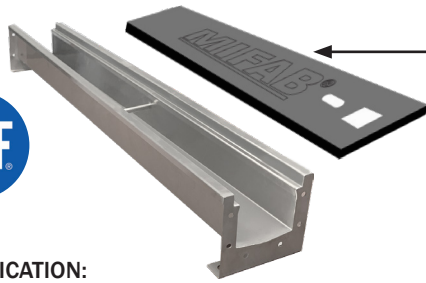
See page 45 for explanation of Heelproof compliant grates

CALIFORNIA PROPOSITION 65 WARNING. This product contains chemicals known to the State of California to cause cancer and birth defects or other reproductive harm.

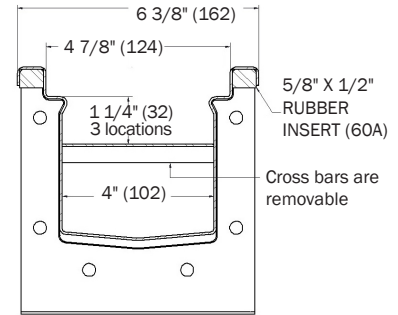
Visit www.mifab.com for the most recent product information. Design and dimensions are subject to modification. Prices do not include applicable taxes.

Toll Free: 1-800-465-2736, Fax: 1-773-341-3049
sales@mifab.com Canada Toll Free: 1-800-387-3880

MIFAB®, Inc., 1321 West 119th Street, Chicago, Illinois 60643-5109, USA
All sales subject to MIFAB's Terms and Warranties. Please refer to page 53.



Plastic pour board to protect the grate seat during installation is included with every meter long channel (Part # T100-PBRD)



Specifying engineer is responsible for concrete encasement and reinforcing based upon application and local codes.



SCAN ME

SPECIFICATION:

MIFAB® Series P6060, 6" wide, 4" internal width, 16 gauge fabricated Type 304 stainless steel presloped trench drain (1% / 1/8" per foot). Channels are available in one and two meter lengths, have flanged ends to connect to each other with a neoprene rubber gasket in between. Bottom and end outlets are available in 3" or 4" no hub outlet connections.

P6060-HDW - Universal gasket for connecting channels, end caps and end outlets with hardware included with every channel, end cap / end outlet ordered

CHANNEL#	LENGTH	WEIGHT (LESS GRATE) Lbs.	C1 (Shallow Invert)	C2 (Deep Invert)	END OUTLET #	END CAP SHALLOW END #	END CAP DEEP END #	List Price / Ea. Channel	List Price / Foot
P6061-PB	78.74" (2m)	25	4" (102)	4.78" (121)	P6061N-PEO3	P6061-PEC	P6061N-PEC	\$3,181.34	\$484.96
P6061N-PB	78.74" (2m)	26	4.78" (121)	4.78" (121)	P6061N-PEO3	P6061N-PEC	P6061N-PEC	\$3,181.34	\$484.96
P6061N-PB-BO3	78.74" (2m) (w/3" BO)	26	4.78" (121)	4.78" (121)	-	P6061N-PEC	P6061N-PEC	\$3,181.34	\$484.96
P6061N-PB-BO4	78.74" (2m) (w/4" BO)	27	4.78" (121)	4.78" (121)	-	P6061N-PEC	P6061N-PEC	\$3,181.34	\$484.96
P6061N-PB-1M	39.37" (1m)	13	4.78" (121)	4.78" (121)	P6061N-PEO3	P6061N-PEC	P6061N-PEC	\$1,590.67	\$484.96
P6062-PB	78.74" (2m)	27	4.78" (121)	5.56" (141)	P6062N-PEO3	P6061N-PEC	P6062-PEC	\$3,181.34	\$484.96
P6063-PB	78.74" (2m)	30	5.56" (141)	6.34" (161)	P6063N-PEO3 / P6063N-PEO4	P6062-PEC	P6063-PEC	\$3,181.34	\$484.96
P6063-PB-BO4	78.74" (2m)	32	5.56" (141)	6.34" (161)	P6063N-PEO3 / P6063N-PEO4	P6062-PEC	P6063-PEC	\$3,181.34	\$484.96
P6063N-PB	78.74" (2m)	31	6.34" (161)	6.34" (161)	P6063N-PEO3 / P6063N-PEO4	P6063-PEC	P6063-PEC	\$3,181.34	\$484.96
P6063N-PB-BO3	78.74" (2m) (w/3" BO)	31	6.34" (161)	6.34" (161)	-	P6063-PEC	P6063-PEC	\$3,181.34	\$484.96
P6063N-PB-BO4	78.74" (2m) (w/4" BO)	32	6.34" (161)	6.34" (161)	-	P6063-PEC	P6063-PEC	\$3,181.34	\$484.96
P6063N-PB-1M	39.37" (1m)	16	6.34" (161)	6.34" (161)	P6063N-PEO3 / P6063N-PEO4	P6063-PEC	P6063-PEC	\$1,590.67	\$484.96
P6064-PB	78.74" (2m)	32	6.34" (161)	7.12" (181)	P6064-PEO3 / P6064-PEO4	P6063-PEC	P6064-PEC	\$3,181.34	\$484.96
P6065-PB	78.74" (2m)	34	7.12" (181)	7.9" (201)	P6065N-PEO3 / P6065N-PEO4	P6064-PEC	P6065-PEC	\$3,181.34	\$484.96
P6065-PB-BO4	78.74" (2m)	35	7.12" (181)	7.9" (201)	P6065N-PEO3 / P6065N-PEO4	P6064-PEC	P6065-PEC	\$3,181.34	\$484.96
P6065N-PB	78.74" (2m)	35	7.9" (201)	7.9" (201)	P6065N-PEO3 / P6065N-PEO4	P6065-PEC	P6065-PEC	\$3,181.34	\$484.96
P6065N-PB-BO3	78.74" (2m) (w/3" BO)	36	7.9" (201)	7.9" (201)	-	P6065-PEC	P6065-PEC	\$3,181.34	\$484.96
P6065N-PB-BO4	78.74" (2m) (w/4" BO)	37	7.9" (201)	7.9" (201)	-	P6065-PEC	P6065-PEC	\$3,181.34	\$484.96
P6065N-PB-1M	39.37" (1m)	18	7.9" (201)	7.9" (201)	P6065N-PEO3 / P6065N-PEO4	P6065-PEC	P6065-PEC	\$1,590.67	\$484.96

(dimension) denotes mm

<p>P6060-CB620 (includes transition plate and either 3" or 4" no hub side outlet).</p>	<p>P6060-PEO End Outlet (3" or 4")</p>	<p>See chart above for relevant depth outlet and end cap.</p>	<p>P6060-PEC End Cap</p>	<p>Suffix -7MG MI-GARD</p>	<p>Suffix -20 Bottom Outlet Strainer</p>
---	---	---	---------------------------------	-----------------------------------	---

MODEL #	DESCRIPTION	MATERIAL	LIST PRICE	WEIGHT (Lbs.)
P6060-CB620-SO3	6" x 20" Catch Basin (includes end cap, transition plate and 3" no hub side outlet). (See Page 17 for Catch Basin dimensions and sediment bucket option)	Type 304 Stainless Steel	\$6,958.00	10.00
P6060-CB620-SO4	6" x 20" Catch basin (includes end cap, transition plate and 4" no hub side outlet). (See Page 17 for Catch Basin dimensions and sediment bucket option)	Type 304 Stainless Steel	\$6,958.00	10.00
P6060-PEO3	3" No Hub End Outlet	Type 304 Stainless Steel	\$442.00	2.00
P6060-PEO4	4" No Hub End Outlet	Type 304 Stainless Steel	\$442.00	2.00
P6060-PEC	Closed End Cap	Type 304 Stainless Steel	\$442.00	2.00
-6	Vandal Proof, (Center Lockdown)	Type 304 Stainless Steel	\$15.75	1.00
-7MG	MI-GARD Trap Seal Protection Device	Silicone Rubber	\$99.00	2.00
-20	Bottom Outlet Strainer (3" - P6060-B03-ST, 4" - P6060-B04-ST)	Type 304 Stainless Steel	\$465.25	2.00
-29	Type 316 Stainless Steel Channel	Type 316 Stainless Steel	Contact MIFAB	-
-45	45 Degree fabricated body	Type 304 Stainless Steel	\$3,657.15	-
-90	90 Degree fabricated body	Type 304 Stainless Steel	\$3,657.15	-
-CF	Cross fabricated body	Type 304 Stainless Steel	\$7,311.15	-
-FL	Anchor (Waterproofing) flange	Type 304 Stainless Steel	\$528.10 / Meter, \$161.01 / Foot	-
-FLC	Membrane clamp (includes anchor flange)	Type 304 Stainless Steel	\$871.55 / Meter, \$265.72 / Foot	-
-NOZ	Wash down spray nozzle connection (1/2" NPT.)	Type 304 Stainless Steel	\$150.00	-
-TEE	Tee fabricated body	Type 304 Stainless Steel	\$3,657.15	-

NOTE: Flow rate information per channel section is available on the www.mifab.com website

Note: List Price to cut a channel to a custom length is **\$420.00** per channel.

NOTE: Custom lengths, widths, depths, slopes and profiles available upon request. Contact MIFAB®.

Note: The neoprene gasket used to connect long runs of trench drain bodies is not recommended for use with caustic or harsh chemicals. In these cases, it is recommended that the trench drain channels be welded together on site.

CALIFORNIA PROPOSITION 65 WARNING. This product contains chemicals known to the State of California to cause cancer and birth defects or other reproductive harm.

LOAD CLASS A GRATES - EN 1433 - 3,372 LBS., 15kN, 70 P.S.I.

Grate Part #	Description	Length (MM)	List Price	List Price (Per Foot)	Weight	Grate Free Area (Sq. in. /ft.)
T100-PGA-3-FP	Class A Stainless Steel Perforated Grate, 1 meter	39.37" (1000)	\$246.80	\$75.24	3.85	8.08
T100-PGA-3-FP-500	Class A Stainless Steel Perforated Grate, 1/2 meter	19.69" (500)	\$148.09	\$90.30	2.09	8.08
T100-PGA-3-FS	Class A Stainless Steel Slotted Grate, 1 meter	39.37" (1000)	\$246.80	\$75.24	3.12	13.31
T100-PGA-3-FS-500	Class A Stainless Steel Slotted Grate, 1/2 meter	19.69" (500)	\$148.09	\$90.30	2.42	13.31
T100-PGA-3-SM	Class A Stainless Steel Mesh Grate, 1 meter	39.37" (1000)	\$361.01	\$110.06	5.72	40.17
T100-PGA-3-SM-500	Class A Stainless Steel Mesh Grate, 1/2 meter	19.69" (500)	\$207.12	\$126.29	3.08	40.17
T100-PGA-HPP-BLK	Class A Plastic Longitudinal, Slotted Black Grate, 1/2 meter	19.69" (500)	\$54.87	\$33.46	1.80	7.56
T100-PGA-HPP-GRY	Class A Plastic Longitudinal, Slotted Grey Grate, 1/2 meter	19.69" (500)	\$54.87	\$33.46	1.80	7.56

LOAD CLASS B GRATES - EN 1433 - 28,100 LBS., 125kN, 580 P.S.I.

T100-PGB-3-WW	Class B Stainless Steel Longitudinal, anti slip, WW Grate, 1 meter	39.37" (1000)	\$1,233.16	\$375.96	8.80	26.52
T100-PGB-3-WW-500	Class B Stainless Steel Longitudinal, anti slip, WW Grate, 1/2 meter	19.69" (500)	\$873.35	\$532.53	4.37	26.52

LOAD CLASS C GRATES - EN 1433 - 56,200 LBS., 250kN, 1,160 P.S.I.

T100-PGC-3-FP	Class C Stainless Steel Perforated Grate, 1 meter	39.37" (1000)	\$580.94	\$177.12	9.04	8.08
T100-PGC-3-FP-500	Class C Stainless Steel Perforated Grate, 1/2 meter	19.69" (500)	\$348.57	\$212.54	4.51	8.08
T100-PGC-3-FS	Class C Stainless Steel Slotted Grate, 1 meter	39.37" (1000)	\$580.94	\$177.12	9.32	13.31
T100-PGC-3-FS-500	Class C Stainless Steel Slotted Grate, 1/2 meter	19.69" (500)	\$348.57	\$212.54	4.62	13.31
T100-PGC-3-SM	Class C Stainless Steel Mesh Grate, 1 meter	39.37" (1000)	\$939.92	\$285.56	11.50	40.75
T100-PGC-3-SM-500	Class C Stainless Steel Mesh Grate, 1/2 meter	19.69" (500)	\$675.81	\$412.08	5.80	40.75
T100-PGC-3-SD	Class C Stainless Steel Paverslot Grate, 1 meter	39.37" (1000)	\$492.82	\$150.25	10.07	6.00
T100-PGC-3-SD-500	Class C Stainless Steel Paverslot Grate, 1/2 meter	19.69" (500)	\$288.44	\$175.88	5.06	6.00
T100-PGC-3-SD-MU-500	Class C Stainless Steel Maintenance Unit Paverslot, 1/2 meter	19.69" (500)	\$900.08	\$548.83	7.43	3.00
T100-PGC-HPP	Class C Black Plastic Slotted Grate, 1/2 meter	19.69" (500)	\$100.00	\$60.97	2.35	9.84
T100-PGC-4	Class C Ductile Iron Slotted Grate, 1/2 meter	19.69" (500)	\$51.25	\$31.25	7.26	16.64
T100-PGC-4-HP	Class C Ductile Iron Heelproof Slotted Grate, 1/2 meter	19.69" (500)	\$98.45	\$60.03	7.26	7.42
T100-PGC-4-ADA	Class C Ductile Iron Longitudinal Grate, 1/2 meter	19.69" (500)	\$98.45	\$60.03	7.26	7.42
T100-PGC-4-WVY	Class C Ductile Iron WAVE Grate, 1/2 meter	19.69" (500)	\$98.72	\$60.20	10.12	25.96
T100-PGC-4-BG	Class C Ductile Iron Bavaria Grate, 1/2 meter	19.69" (500)	\$98.72	\$60.20	6.60	13.88
T100-SCC-4	Class C Ductile Iron Solid Cover, 1/2 meter	19.69" (500)	\$98.72	\$60.20	13.00	-

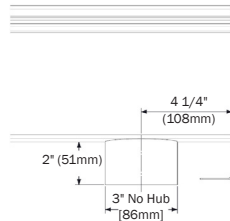
LOAD CLASS E GRATES - EN 1433 - 134,800 LBS., 600kN, 2,785 P.S.I.

T100-PGE-3-FS	Class E Stainless Steel Slotted Grate, 1 meter	39.37" (1000)	\$778.51	\$237.35	9.32	13.31
T100-PGE-3-FS-500	Class E Stainless Steel Slotted Grate, 1/2 meter	19.69" (500)	\$467.11	\$284.82	4.62	13.31
T100-PGE-4	Class E Ductile Iron Slotted Grate, 1/2 meter	19.69" (500)	\$83.54	\$50.94	8.36	19.49
T100-PGE-4-HP	Class E Ductile Iron Heelproof Slotted Grate, 1/2 meter	19.69" (500)	\$148.09	\$90.30	8.36	7.42
T100-PGE-4-ADA	Class E Ductile Iron Longitudinal Grate, 1/2 meter	19.69" (500)	\$148.09	\$90.30	10.70	18.07
T100-PGE-3-SBG	Class E Stainless Steel Bar Grate	39.37" (1000)	\$990.00	\$301.82	12.00	24.70
T100-PGE-3-SBG-500	Class E Stainless Steel Bar Grate, 1/2 meter	19.69" (500)	\$594.00	\$362.19	7.00	24.70

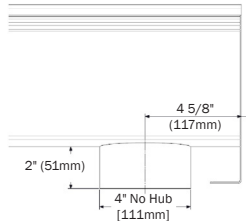
P6060 - Bottom Outlet Detail



**P6061N-BO3
P6063N-BO3
P6065N-BO3**



**P6061N-BO4
P6063N-BO4
P6065N-BO4**



See page 45 for explanation of ADA compliant grates

See page 45 for explanation of Heelproof compliant grates

CALIFORNIA PROPOSITION 65 WARNING. This product contains chemicals known to the State of California to cause cancer and birth defects or other reproductive harm.

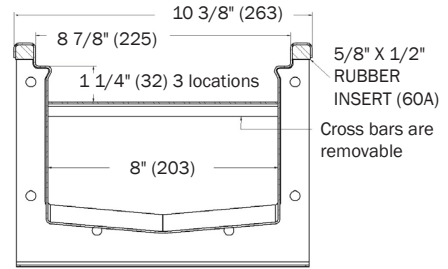
Visit www.mifab.com for the most recent product information. Design and dimensions are subject to modification. Prices do not include applicable taxes.

Toll Free: 1-800-465-2736, Fax: 1-773-341-3049
sales@mifab.com Canada Toll Free: 1-800-387-3880

MIFAB®, Inc., 1321 West 119th Street, Chicago, Illinois 60643-5109, USA
All sales subject to MIFAB's Terms and Warranties. Please refer to page 53.



48" long plywood pour board to protect the grate seat during installation is included with every meter long channel (Part # T200-PBRD)



SPECIFICATION:

MIFAB® Series P6080, 10" wide, 8" internal width, 16 gauge fabricated Type 304 stainless steel presloped trench drain (1% / 1/8" per foot). Channels are available in one and two meter lengths, have flanged ends to connect to each other with a neoprene rubber gasket in between. Bottom & end outlets are available in 4", 6" or 8" no hub outlet connections.



SCAN ME

Specifying engineer is responsible for concrete encasement and reinforcing based upon application and local codes.

P6080-HDW - Universal gasket for connecting channels, end caps and end outlets with hardware included with every channel, end cap / end outlet ordered

CHANNEL#	LENGTH	WEIGHT (LESS GRATE) Lbs.	C1 (Shallow Invert)	C2 (Deep Invert)	END OUTLET #	END CAP SHALLOW END #	END CAP DEEP END #	List Price / Ea. Channel	List Price / Foot
P6081-PB	78.74" (2m)	37	6" (152)	6.78" (172)	P6081N-PEO4	P6081-PEC	P6081N-PEC	\$3,298.82	\$502.87
P6081N-PB	78.74" (2m)	38	6.78" (172)	6.78" (172)	P6081N-PEO4	P6081N-PEC	P6081N-PEC	\$3,298.82	\$502.87
P6081N-PB-B04	78.74" (2m) (w/4" BO)	39	6.78" (172)	6.78" (172)	-	P6081N-PEC	P6081N-PEC	\$3,298.82	\$502.87
P6081N-PB-B06	78.74" (2m) (w/6" BO)	39	6.78" (172)	6.78" (172)	-	P6081N-PEC	P6081N-PEC	\$3,298.82	\$502.87
P6081N-PB-B08	78.74" (2m) (w/8" BO)	39	6.78" (172)	6.78" (172)	-	P6081N-PEC	P6081N-PEC	\$3,298.82	\$502.87
P6081N-PB-1M	39.37" (1m)	20	6.78" (172)	6.78" (172)	P6081N-PEO4	P6081N-PEC	P6081N-PEC	\$1,649.40	\$502.87
P6082-PB	78.74" (2m)	39	6.78" (172)	7.56" (192)	P6082-PEO4	P6081N-PEC	P6082-PEC	\$3,298.82	\$502.87
P6083-PB	78.74" (2m)	41	7.56" (192)	8.34" (212)	P6083N-PEO4 / P6083N-PEO6	P6082-PEC	P6083-PEC	\$3,298.82	\$502.87
P6083-PB-B06	78.74" (2m)	42	7.56" (192)	8.34" (212)	P6083N-PEO4 / P6083N-PEO6	P6082-PEC	P6083-PEC	\$3,298.82	\$502.87
P6083N-PB	78.74" (2m)	43	8.34" (212)	8.34" (212)	P6083N-PEO4 / P6083N-PEO6	P6083-PEC	P6083-PEC	\$3,298.82	\$502.87
P6083N-PB-B04	78.74" (2m) (w/4" BO)	44	8.34" (212)	8.34" (212)	-	P6083-PEC	P6083-PEC	\$3,298.82	\$502.87
P6083N-PB-B06	78.74" (2m) (w/6" BO)	44	8.34" (212)	8.34" (212)	-	P6083-PEC	P6083-PEC	\$3,298.82	\$502.87
P6083N-PB-B08	78.74" (2m) (w/8" BO)	44	8.34" (212)	8.34" (212)	-	P6083-PEC	P6083-PEC	\$3,298.82	\$502.87
P6083N-PB-1M	39.37" (1m)	22	8.34" (212)	8.34" (212)	P6083N-PEO4 / P6083N-PEO6	P6083-PEC	P6083-PEC	\$1,649.40	\$502.87
P6084-PB	78.74" (2m)	46	8.34" (212)	9.12" (232)	P6084-PEO4 / P6084-PEO6	P6083-PEC	P6084-PEC	\$3,298.82	\$502.87
P6085-PB	78.74" (2m)	47	9.12" (232)	9.9" (251)	P6085N-PEO4 / P6085N-PEO6 / P6085N-PEO8	P6084-PEC	P6085-PEC	\$3,298.82	\$502.87
P6085-PB-B06	78.74" (2m)	48	9.12" (232)	9.9" (251)	P6085N-PEO4 / P6085N-PEO6 / P6085N-PEO8	P6084-PEC	P6085-PEC	\$3,298.82	\$502.87
P6085N-PB	78.74" (2m)	48	9.9" (251)	9.9" (251)	P6085N-PEO4 / P6085N-PEO6 / P6085N-PEO8	P6085-PEC	P6085-PEC	\$3,298.82	\$502.87
P6085N-PB-B04	78.74" (2m) (w/4" BO)	49	9.9" (251)	9.9" (251)	-	P6085-PEC	P6085-PEC	\$3,298.82	\$502.87
P6085N-PB-B06	78.74" (2m) (w/6" BO)	49	9.9" (251)	9.9" (251)	-	P6085-PEC	P6085-PEC	\$3,298.82	\$502.87
P6085N-PB-B08	78.74" (2m) (w/8" BO)	49	9.9" (251)	9.9" (251)	-	P6085-PEC	P6085-PEC	\$3,298.82	\$502.87
P6085N-PB-1M	39.37" (1m)	24	9.9" (251)	9.9" (251)	P6085N-PEO4 / P6085N-PEO6 / P6085N-PEO8	P6085-PEC	P6085-PEC	\$1,649.40	\$502.87

(dimension) denotes mm

<p>P6080-CB820 (includes transition plate and either 4", 6" or 8" no hub side outlets).</p>	<p>P6080-PEO End Outlet (4", 6" or 8")</p>	<p>See chart above for relevant depth outlet and end cap.</p>	<p>P6080-PEC End Cap</p>	<p>Suffix -7MG MI-GARD</p>	<p>Suffix -20 Bottom Outlet Strainer</p>
--	---	---	---------------------------------	-----------------------------------	---

MODEL #	DESCRIPTION	MATERIAL	LIST PRICE	WEIGHT (Lbs.)
P6080-CB820-S04	8" x 20" Catch Basin (includes end cap, transition plate and 4" no hub side outlet). (See Page 17 for Catch Basin dimensions and sediment bucket option)	Type 304 Stainless Steel	\$8,442.00	13.00
P6080-CB820-S06	8" x 20" Catch basin (includes end cap, transition plate and 6" no hub side outlet). (See Page 17 for Catch Basin dimensions and sediment bucket option)	Type 304 Stainless Steel	\$8,442.00	13.00
P6080-CB820-S08	8" x 20" Catch basin (includes end cap, transition plate and 8" no hub side outlet). (See Page 17 for Catch Basin dimensions and sediment bucket option)	Type 304 Stainless Steel	\$8,442.00	13.00
P6080-PEO4	4" No Hub End Outlet	Type 304 Stainless Steel	\$519.25	2.00
P6080-PEO6	6" No Hub End Outlet	Type 304 Stainless Steel	\$519.25	2.00
P6080-PEO8	8" No Hub End Outlet	Type 304 Stainless Steel	\$519.25	2.00
P6080-PEC	Closed End Cap	Type 304 Stainless Steel	\$519.25	2.00
-6	Vandal Proof, (Center Lockdown)	Type 304 Stainless Steel	\$15.75	1.00
-7MG	MI-GARD Trap Seal Protection Device	Silicone Rubber	\$99.00	2.00
-20	Bottom Outlet Strainer (4" - P6080-B04-ST, 6" - P6080-B06-ST, 8" - P6080-B08-ST)	Type 304 Stainless Steel	\$465.25	2.00
-29	Type 316 Stainless Steel Channel	Type 316 Stainless Steel	Contact MIFAB	-
-45	45 Degree fabricated body	Type 304 Stainless Steel	\$4,146.50	-
-90	90 Degree fabricated body	Type 304 Stainless Steel	\$4,146.50	-
-CF	Cross fabricated body	Type 304 Stainless Steel	\$8,288.00	-
-FL	Anchor (Waterproofing) flange	Type 304 Stainless Steel	\$640.75 / Meter, \$195.35 / Foot	-
-FLC	Membrane clamp (includes anchor flange)	Type 304 Stainless Steel	\$964.56 / Meter, \$294.07 / Foot	-
-NOZ	Wash down spray nozzle connection (1/2" NPT.)	Type 304 Stainless Steel	\$150.00	-
-TEE	Tee fabricated body	Type 304 Stainless Steel	\$4,146.50	-

NOTE: Flow rate information per channel section is available on the www.mifab.com website

Note: List Price to cut a channel to a custom length is \$472.50 per channel.

NOTE: Custom lengths, widths, depths, slopes and profiles available upon request. Contact MIFAB®.

Note: The neoprene gasket used to connect long runs of trench drain bodies is not recommended for use with caustic or harsh chemicals. In these cases, it is recommended that the trench drain channels be welded together on site.

CALIFORNIA PROPOSITION 65 WARNING. This product contains chemicals known to the State of California to cause cancer and birth defects or other reproductive harm.

LOAD CLASS A GRATES - EN 1433 - 3,372 LBS., 15kN, 70 P.S.I.

Grate Part #	Description	Length (MM)	List Price	List Price (Per Foot)	Weight	Grate Free Area (Sq. in. /ft.)
T200-PGA-3-SM	Class A Stainless Steel Mesh Grate, 1 meter	39.37" (1000)	\$2,046.58	\$623.96	13.13	78.78
T200-PGA-3-SM-500	Class A Stainless Steel Mesh Grate, 1/2 meter	19.69" (500)	\$1,217.33	\$742.27	6.82	78.78

LOAD CLASS B GRATES - EN 1433 - 28,100 LBS., 125kN, 580 P.S.I.

T200-PGB-3-WW	Class B Stainless Longitudinal, anti slip WW grate, 1 meter	39.37" (1000)	\$2,046.58	\$623.96	16.32	48.78
T200-PGB-3-WW-500	Class B Stainless Longitudinal, anti slip WW grate, 1/2 meter	19.69" (500)	\$1,217.33	\$742.27	8.31	48.78

LOAD CLASS C GRATES - EN 1433 - 56,200 LBS., 250kN, 1,160 P.S.I.

T200-PGC-3-SM	Class C Stainless Steel Mesh Grate, 1 meter	39.37" (1000)	\$2,516.13	\$767.11	24.33	70.46
T200-PGC-3-SM-500	Class C Stainless Steel Mesh Grate, 1/2 meter	19.69" (500)	\$1,621.50	\$988.72	11.66	70.46
T200-PGC-3-SD	Class C Stainless Steel Paverslot Grate, 1 meter	39.37" (1000)	\$856.37	\$261.09	47.08	12.01
T200-PGC-3-SD-500	Class C Stainless Steel Paverslot Grate, 1/2 meter	19.69" (500)	\$644.27	\$392.85	23.54	12.01
T200-PGC-3-MU-500	Class C Stainless Steel Maintenance Unit Paverslot, 1/2 meter	19.69" (500)	\$1,350.56	\$823.51	43.78	6.01
T200-PGC-4	Class C Ductile Iron Slotted Grate, 1/2 meter	19.69" (500)	\$119.63	\$72.95	13.79	50.68
T200-PGC-4-HP	Class C Ductile Iron Heelproof Slotted Grate, 1/2 meter	19.69" (500)	\$237.31	\$144.70	13.79	10.94
T200-PGC-4-WVY	Class C Ductile Iron WAVE Grate, 1/2 meter	19.69" (500)	\$237.31	\$144.70	13.86	47.73
T200-PGC-4-BG	Class C Ductile Iron Bavaria Grate, 1/2 meter	19.69" (500)	\$237.31	\$144.70	13.64	28.19

LOAD CLASS E GRATES - EN 1433 - 134,800 LBS., 600kN, 2,785 P.S.I.

T200-PGE-4	Class E Ductile Iron Slotted Grate, 1/2 meter	19.69" (500)	\$205.07	\$125.04	19.25	51.20
T200-PGE-4-HP	Class E Ductile Iron Heelproof Slotted Grate, 1/2 meter	19.69" (500)	\$296.18	\$180.60	13.79	14.17
T200-PGE-4-ADA	Class E Ductile Iron Longitudinal Grate, 1/2 meter	19.69" (500)	\$296.18	\$180.60	21.25	26.72
T200-PGE-3-SBG	Class E Stainless Steel Bar Grate, 1 meter	39.37" (1000)	\$2,500.00	\$762.19	75.00	50.46
T200-PGE-3-SBG-500	Class E Stainless Steel Bar Grate, 1/2 meter	19.69" (500)	\$1,500.00	\$914.63	40.00	50.46

P6085 - Bottom Outlet Detail

**P6081N-BO4
P6083N-BO4
P6085N-BO4**

**P6081N-BO6
P6083N-BO6
P6085N-BO6**

**P6081N-BO8
P6083N-BO8
P6085N-BO8**

See page 45 for explanation of ADA compliant grates

See page 45 for explanation of Heelproof compliant grates

CALIFORNIA PROPOSITION 65 WARNING. This product contains chemicals known to the State of California to cause cancer and birth defects or other reproductive harm.

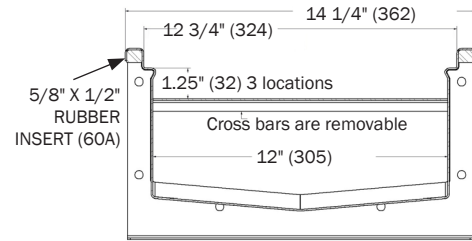
Visit www.mifab.com for the most recent product information. Design and dimensions are subject to modification. Prices do not include applicable taxes.

Toll Free: 1-800-465-2736, Fax: 1-773-341-3049
sales@mifab.com Canada Toll Free: 1-800-387-3880

MIFAB®, Inc., 1321 West 119th Street, Chicago, Illinois 60643-5109, USA
All sales subject to MIFAB's Terms and Warranties. Please refer to page 53.



48" long plywood pour board — to protect the grate seat during installation is included with every meter long channel (Part # T300-PBRD)



Specifying engineer is responsible for concrete encasement and reinforcing based upon application and local codes.

SPECIFICATION:

MIFAB® Series P6120, 14" wide, 12" internal width, 16 gauge fabricated Type 304 stainless steel presloped trench drain (1% / 1/8" per foot). Channels are available in one and two meter lengths, have flanged ends to connect to each other with a neoprene rubber gasket in between. Bottom and end outlets are available in 6", 8" or 12" no hub outlet connections.

P6120-HDW - Universal gasket for connecting channels, end caps and end outlets with hardware included with every channel, end cap / end outlet ordered

CHANNEL#	LENGTH	WEIGHT (LESS GRATE) Lbs.	C1 (Shallow Invert)	C2 (Deep Invert)	END OUTLET #	END CAP SHALLOW END #	END CAP DEEP END #	List Price / Ea. Channel	List Price / Foot
P6121-PB	78.74" (2m)	42	6" (152.4)	6.78" (172)	P6121N-PEO6	P6121-PEC	P6121N-PEC	\$3,383.54	\$511.69
P6121N-PB	78.74" (2m)	44	6.78" (172)	6.78" (172)	P6121N-PEO6	P6121N-PEC	P6121N-PEC	\$3,383.54	\$511.69
P6121N-PB-B06	78.74" (2m) (w/6" BO)	44	6.78" (172)	6.78" (172)	-	P6121N-PEC	P6121N-PEC	\$3,383.54	\$511.69
P6121N-PB-B08	78.74" (2m) (w/8" BO)	44	6.78" (172)	6.78" (172)	-	P6121N-PEC	P6121N-PEC	\$3,383.54	\$511.69
P6121N-PB-B012	78.74" (2m) (w/12" BO)	44	6.78" (172)	6.78" (172)	-	P6121N-PEC	P6121N-PEC	\$3,383.54	\$511.69
P6121N-PB-1M	39.37" (1m)	23	6.78" (172)	6.78" (172)	P6121N-PEO6	P6121N-PEC	P6121N-PEC	\$1,678.34	\$511.69
P6122-PB	78.74" (2m)	45	6.78" (172)	7.56" (192)	P6122-PEO6	P6121N-PEC	P6122-PEC	\$3,383.54	\$511.69
P6123-PB	78.74" (2m)	47	7.56" (192)	8.34" (212)	P6123N-PEO6 / P6123N-PEO8	P6122-PEC	P6123-PEC	\$3,383.54	\$511.69
P6123-PB-B08	78.74" (2m)	48	7.56" (192)	8.34" (212)	P6123N-PEO6 / P6123N-PEO8	P6122-PEC	P6123-PEC	\$3,383.54	\$511.69
P6123N-PB	78.74" (2m)	48	8.34" (212)	8.34" (212)	P6123N-PEO6 / P6123N-PEO8	P6123-PEC	P6123-PEC	\$3,383.54	\$511.69
P6123N-PB-B06	78.74" (2m) (w/6" BO)	48	8.34" (212)	8.34" (212)	-	P6123-PEC	P6123-PEC	\$3,383.54	\$511.69
P6123N-PB-B08	78.74" (2m) (w/8" BO)	48	8.34" (212)	8.34" (212)	-	P6123-PEC	P6123-PEC	\$3,383.54	\$511.69
P6123N-PB-B012	78.74" (2m) (w/12" BO)	48	8.34" (212)	8.34" (212)	-	P6123-PEC	P6123-PEC	\$3,383.54	\$511.69
P6123N-PB-1M	39.37" (1m)	25	8.34" (212)	8.34" (212)	P6123N-PEO6 / P6123N-PEO8	P6123-PEC	P6123-PEC	\$1,678.34	\$511.69
P6124-PB	78.74" (2m)	50	8.34" (212)	9.12" (232)	P6124-PEO6 / P6124-PEO8	P6123-PEC	P6124-PEC	\$3,383.54	\$511.69
P6125-PB	78.74" (2m)	52	9.12" (232)	9.9" (251)	P6125N-PEO6 / P6125N-PEO8	P6124-PEC	P6125-PEC	\$3,383.54	\$511.69
P6125-PB-B08	78.74" (2m)	54	9.12" (232)	9.9" (251)	P6125N-PEO6 / P6125N-PEO8	P6124-PEC	P6125-PEC	\$3,383.54	\$511.69
P6125N-PB	78.74" (2m)	53	9.9" (251)	9.9" (251)	P6125N-PEO6 / P6125N-PEO8	P6125-PEC	P6125-PEC	\$3,383.54	\$511.69
P6125N-PB-B06	78.74" (2m) (w/6" BO)	53	9.9" (251)	9.9" (251)	-	P6125-PEC	P6125-PEC	\$3,383.54	\$511.69
P6125N-PB-B08	78.74" (2m) (w/8" BO)	53	9.9" (251)	9.9" (251)	-	P6125-PEC	P6125-PEC	\$3,383.54	\$511.69
P6125N-PB-B012	78.74" (2m) (w/12" BO)	53	9.9" (251)	9.9" (251)	-	P6125-PEC	P6125-PEC	\$3,383.54	\$511.69
P6125N-PB-1M	39.37" (1m)	27	9.9" (251)	9.9" (251)	P6125N-PEO6 / P6125N-PEO8	P6125-PEC	P6125-PEC	\$1,678.34	\$511.69

(dimension) denotes mm



P6120-CB1220 (includes transition plate and either 8", 10", or 12" no hub side outlets).



See chart above for relevant depth outlet and end cap.



MODEL #	DESCRIPTION	MATERIAL	LIST PRICE	WEIGHT (Lbs.)
P6120-CB1220-S08	12" x 20" Catch Basin (includes end cap, transition plate and 8" no hub side outlet). (See Page 17 for Catch Basin dimensions and sediment bucket option)	Type 304 Stainless Steel	\$11,269.75	16.00
P6120-CB1220-S010	12" x 20" Catch basin (includes end cap, transition plate and 10" no hub side outlet). (See Page 17 for Catch Basin dimensions and sediment bucket option)	Type 304 Stainless Steel	\$11,269.75	16.00
P6120-CB1220-S012	12" x 20" Catch basin (includes end cap, transition plate and 12" no hub side outlet). (See Page 17 for Catch Basin dimensions and sediment bucket option)	Type 304 Stainless Steel	\$11,269.75	16.00
P6120-PEO8	8" No Hub End Outlet	Type 304 Stainless Steel	\$519.25	2.00
P6120-PEO12	12" No Hub End Outlet	Type 304 Stainless Steel	\$519.25	2.00
P6120-PEC	Closed End Cap	Type 304 Stainless Steel	\$519.25	2.00
-6	Vandal Proof. (Center Lockdown)	Type 304 Stainless Steel	\$15.75	1.00
-7MG	MI-GARD Trap Seal Protection Device	Silicone Rubber	\$99.00	2.00
-20	Bottom Outlet Strainer (6" - P6120-B06-ST, 8" - P6120-B08-ST, 12" - P6120-B012-ST)	Type 304 Stainless Steel	\$465.25	2.00
-29	Type 316 Stainless Steel Channel	Type 316 Stainless Steel	Contact MIFAB	-
-45	45 Degree fabricated body	Type 304 Stainless Steel	\$4,146.50	-
-90	90 Degree fabricated body	Type 304 Stainless Steel	\$4,146.50	-
-CF	Cross fabricated body	Type 304 Stainless Steel	\$8,288.00	-
-FL	Anchor (Waterproofing) flange	Type 304 Stainless Steel	\$640.75 / Meter, \$195.35 / Foot	-
-FLC	Membrane clamp (includes anchor flange)	Type 304 Stainless Steel	\$964.56 / Meter, \$294.07 / Foot	-
-NOZ	Wash down spray nozzle connection (1/2" NPT.)	Type 304 Stainless Steel	\$150.00	-
-TEE	Tee fabricated body	Type 304 Stainless Steel	\$4,146.50	-

NOTE: Flow rate information per channel section is available on the www.mifab.com website




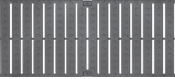

Note: List Price to cut a channel to a custom length is \$525.00 per channel.

NOTE: Custom lengths, widths, depths, slopes and profiles available upon request. Contact MIFAB®.







Note: The neoprene gasket used to connect long runs of trench drain bodies is not recommended for use with caustic or harsh chemicals. In these cases, it is recommended that the trench drain channels be welded together on site.

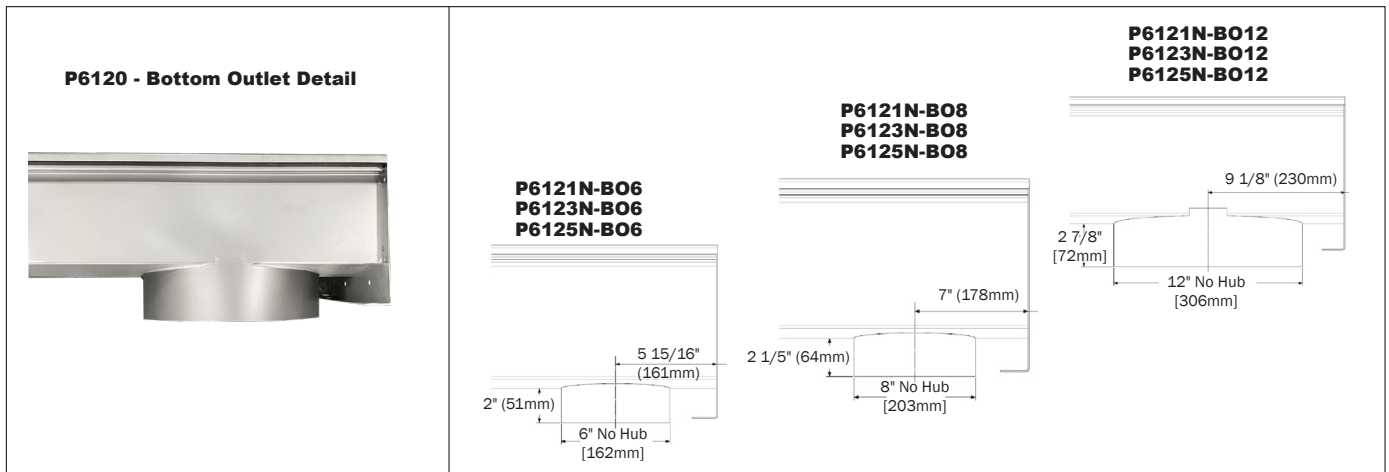
CALIFORNIA PROPOSITION 65 WARNING. This product contains chemicals known to the State of California to cause cancer and birth defects or other reproductive harm.

LOAD CLASS C GRATES - EN 1433 - 56,200 LBS., 250kN, 967 P.S.I.

Grate Part #	Description	Length (MM)	List Price	List Price (Per Foot)	Weight	Grate Free Area (Sq. in. /ft.)	
T300-PGC-3-SM	Class C Stainless Steel Mesh Grate, 1 meter	39.37" (1000)	\$3,251.49	\$991.31	68.53	109.78	
T300-PGC-3-SM-500	Class C Stainless Steel Mesh Grate, 1/2 meter	19.69" (500)	\$2,564.75	\$1,563.87	36.82	109.78	
T300-PGC-4	Class C Ductile Iron Slotted Grate, 1/2 meter	19.69" (500)	\$149.94	\$91.43	29.23	77.02	
T300-PGC-4-HP	Class C Ductile Iron Heelproof Slotted Grate, 1/2 meter	19.69" (500)	\$246.79	\$150.48	29.23	21.59	
T300-PGC-4-WVY	Class C Ductile Iron WAVE Grate, 1/2 meter	19.69" (500)	\$455.16	\$277.54	34.10	84.63	

LOAD CLASS E GRATES - EN 1433 - 134,800 LBS., 600kN, 2,321 P.S.I.

T300-PGE-4	Class E Ductile Iron Slotted Grate, 1/2 meter	19.69" (500)	\$273.42	\$166.72	42.02	77.02	
T300-PGE-4-HP	Class E Ductile Iron Heelproof Slotted Grate, 1/2 meter	19.69" (500)	\$410.13	\$250.08	42.02	21.39	
T300-PGE-4-ADA	Class E Ductile Iron Longitudinal Slotted Grate, 1/2 meter	19.69" (500)	\$410.13	\$250.08	63.80	19.07	
T300-PGE-3-SBG	Class E Stainless Steel Bar Grate, 1 meter	39.37" (1000)	\$3,500.00	\$1,067.07	100.00	73.63	
T300-PGE-3-SBG-500	Class E Stainless Steel Bar Grate, 1/2 meter Grate, 1/2 meter	19.69" (500)	\$2,100.00	\$1,280.48	60.00	73.63	
T300-SCE-4	Class E Ductile Iron Solid Cover, 1/2 meter	19.69" (500)	\$410.69	\$250.42	66.00	-	



 See page 45 for explanation of ADA compliant grates

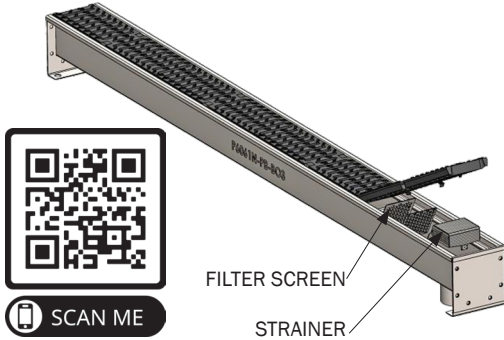
 See page 45 for explanation of Heelproof compliant grates

CALIFORNIA PROPOSITION 65 WARNING. This product contains chemicals known to the State of California to cause cancer and birth defects or other reproductive harm.

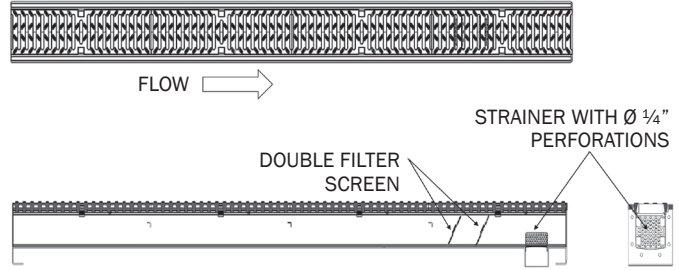
Visit www.mifab.com for the most recent product information. Design and dimensions are subject to modification. Prices do not include applicable taxes.

Toll Free: 1-800-465-2736, Fax: 1-773-341-3049
sales@mifab.com Canada Toll Free: 1-800-387-3880

MIFAB®, Inc., 1321 West 119th Street, Chicago, Illinois 60643-5109, USA
All sales subject to MIFAB's Terms and Warranties. Please refer to page 53.



SCAN ME



SPECIFICATION:

MIFAB® Series P6060-LT, Type 304 stainless steel lint trough with removable stainless steel filter screen, perforated stainless steel bottom dome strainer and 3" or 4" no hub bottom or end outlets.

<p>FILTER SCREEN ONLY - LIST PRICE \$1,050.00</p>
<p>Note: See pages 10 - 11 for P6060 channels, grates and accessories to add to the Filter Screen price.</p>

NOTE: Flow rate information per channel section is available on the www.mifab.com website

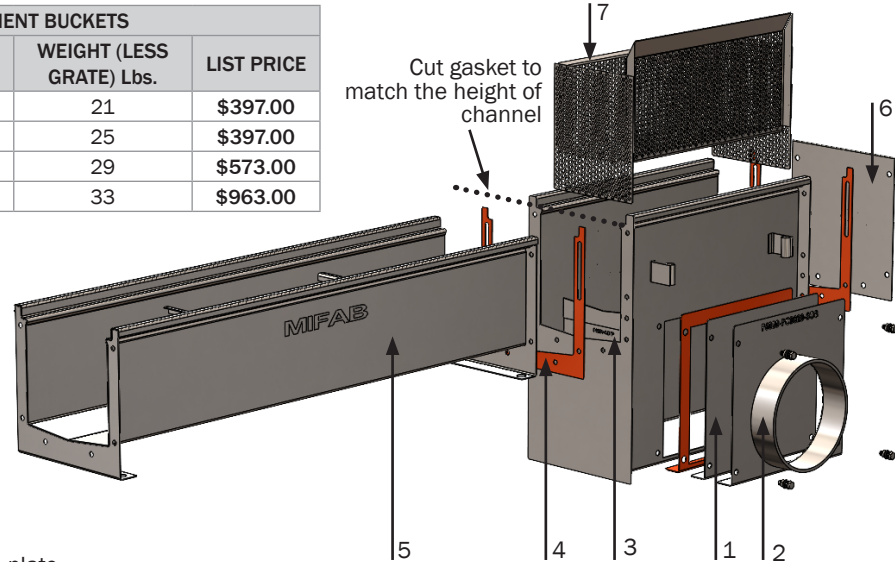
Note: List Price to cut a channel to a custom length is **\$400.00** per channel.

NOTE: Custom lengths, widths, depths, slopes and profiles available upon request. Contact MIFAB®.

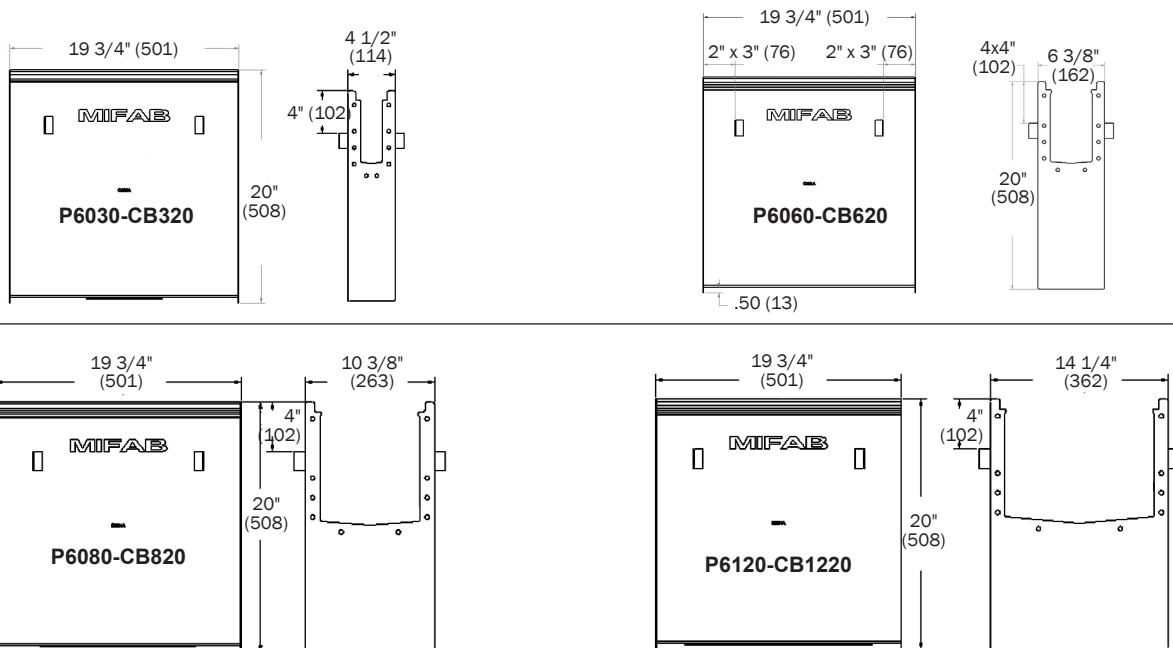
Note: The neoprene gasket used to connect long runs of trench drain bodies is not recommended for use with caustic or harsh chemicals. In these cases, it is recommended that the trench drain channels be welded together on site.

CALIFORNIA PROPOSITION 65 WARNING. This product contains chemicals known to the State of California to cause cancer and birth defects or other reproductive harm.

OPTIONAL SEDIMENT BUCKETS			
MODEL NUMBER	USE WITH CATCH BASIN	WEIGHT (LESS GRATE) Lbs.	LIST PRICE
P6030-CB320-SB	P6030	21	\$397.00
P6060-CB620-SB	P6060	25	\$397.00
P6080-CB820-SB	P6080	29	\$573.00
P6120-CB1220-SB	P6120	33	\$963.00



1. Remove blank (disposable) side plate.
2. Attach the desired catch basin side outlet (use the already included gasket and hardware)
3. Attach the transition plate corresponding to the channel that needs to be connected to the catch basin.
(Ex: use P6083-CBTP to connect P6083-PB channel)
Transition plate is mounted through inside catch basin by using the hardware provided with transition plate. There is no transition plate for deepest channels.
4. Align provided gasket to the channel and trim the top of it to match the end flange of channel.
5. Attach channel to catch basin using provided hardware.
6. Attach the end cap to the other end of the catch basin by using the included gasket and hardware.
If another channel is required by trench layout configuration on the opposite side of catch basin, proceed with steps 3, 4 and 5 from above.
7. Optional sediment bucket



CALIFORNIA PROPOSITION 65 WARNING. This product contains chemicals known to the State of California to cause cancer and birth defects or other reproductive harm.

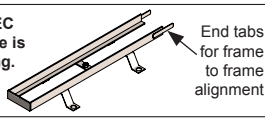
Visit www.mifab.com for the most recent product information. Design and dimensions are subject to modification. Prices do not include applicable taxes.

Toll Free: 1-800-465-2736, Fax: 1-773-341-3049
 sales@mifab.com Canada Toll Free: 1-800-387-3880

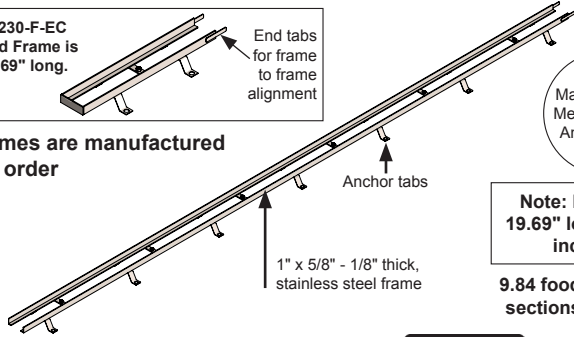
MIFAB®, Inc., 1321 West 119th Street, Chicago, Illinois 60643-5109, USA
 All sales subject to MIFAB's Terms and Warranties. Please refer to page 53.

P6230 - 4" Wide, 2" Internal Width, Stainless Steel Frame and Grate System

P6230-F-EC End Frame is 19.69" long.



Frames are manufactured per order



Made in USA. Meets the Buy America Act.

Note: Must order in 19.69" long (1/2 meter) increments.

9.84 food long (3 meter) sections are standard.

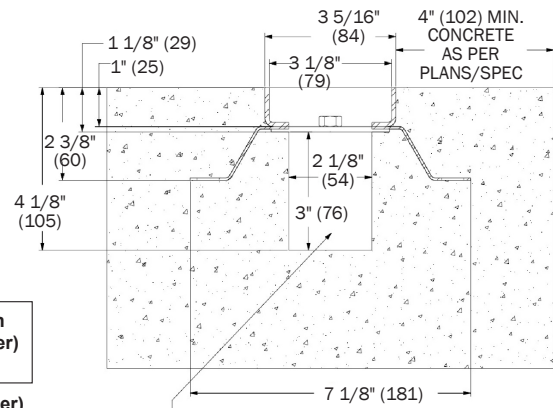


SCAN ME

SPECIFICATION:

MIFAB® Series P6230, 4" wide, 10 gauge, Type 304 stainless steel angle frame and anchor tabs with bead blasted finish.

ACCESSORIES



Poured in place, concrete encasement by others. Specifying engineer is responsible for concrete encasement and reinforcing based upon application and local codes.

MODEL NUMBER	DESCRIPTION	WEIGHT (LESS GRATE) Lbs.	LIST PRICE / FOOT
P6230	4" wide, Type 304 Stainless Steel Frame System	5	\$347.25

LIST PRICE (ADD), TYPE 304 S.S.

- 6 Vandal Proof grates (center lockdown)
- 29 Type 316 Stainless Steel
- 45 45 Degree fabricated frame
- 90 90 Degree fabricated frame
- CF Cross fabricated frame
- TEE Tee fabricated frame

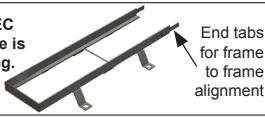
Note: See page 9 for the grates available and their List Prices

Note: Every order of this product is a special / custom order fabrication. This product is non-returnable and non-cancellable.
NOTE: One, two and three meter sections available.

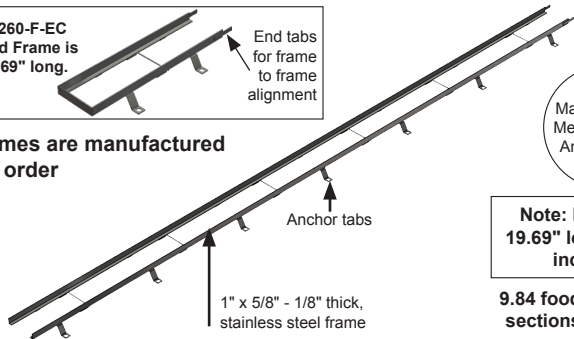
- \$15.75
- Contact MIFAB
- \$1,741.00
- \$1,741.00
- \$3,482.00
- \$1,741.00

P6260 - 6" Wide, 4" Internal Width, Stainless Steel Frame and Grate System

P6260-F-EC End Frame is 19.69" long.



Frames are manufactured per order



Made in USA. Meets the Buy America Act.

Note: Must order in 19.69" long (1/2 meter) increments.

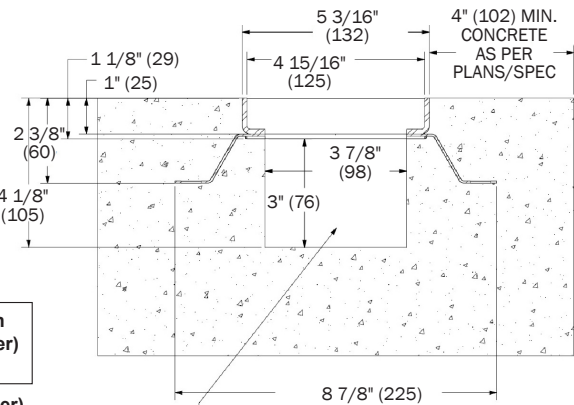
9.84 food long (3 meter) sections are standard.



SCAN ME

SPECIFICATION:

MIFAB® Series P6260, 6" wide, 10 gauge, Type 304 stainless steel angle frame and anchor tabs with bead blasted finish.



Poured in place, concrete encasement by others. Specifying engineer is responsible for concrete encasement and reinforcing based upon application and local codes.

MODEL NUMBER	DESCRIPTION	WEIGHT (LESS GRATE) Lbs.	LIST PRICE / FOOT
P6260	6" wide, Type 304 Stainless Steel Frame System	10	\$384.50

LIST PRICE (ADD), TYPE 304 S.S.

- 6 Vandal Proof grates (center lockdown)
- 29 Type 316 Stainless Steel
- 45 45 Degree fabricated frame
- 90 90 Degree fabricated frame
- CF Cross fabricated frame
- TEE Tee fabricated frame

Note: See page 9 for the grates available and their List Prices

Note: Every order of this product is a special / custom order fabrication. This product is non-returnable and non-cancellable.
NOTE: One, two and three meter sections available.

- \$15.75
- Contact MIFAB
- \$1,741.00
- \$1,741.00
- \$3,482.00
- \$1,741.00

NOTE: Flow rate information per channel section is available on the www.mifab.com website

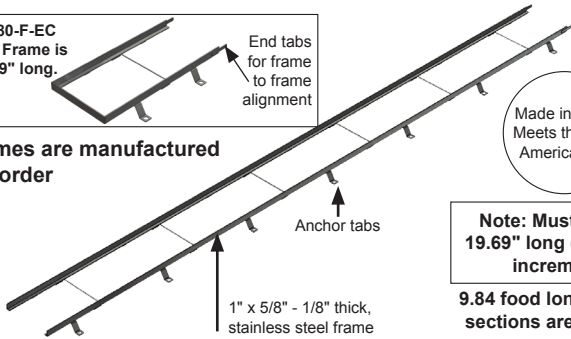
NOTE: Custom lengths, widths, depths, slopes and profiles available upon request. Contact MIFAB®.

CALIFORNIA PROPOSITION 65 WARNING. This product contains chemicals known to the State of California to cause cancer and birth defects or other reproductive harm.

P6280 - 10" Wide, 8" Internal Width, Stainless Steel Frame and Grate System



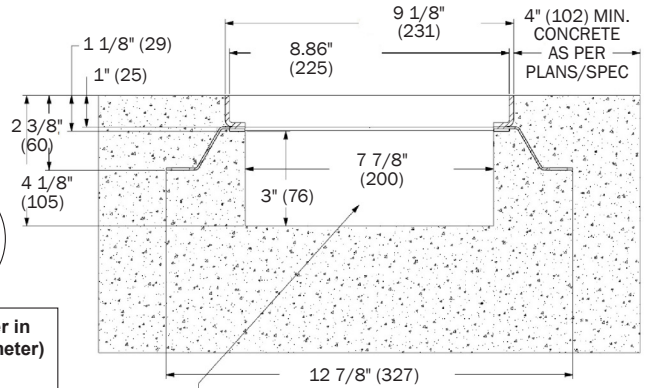
Frames are manufactured per order



Made in USA. Meets the Buy America Act.

Note: Must order in 19.69" long (1/2 meter) increments.

9.84 food long (3 meter) sections are standard.



Poured in place, concrete encasement by others. Specifying engineer is responsible for concrete encasement and reinforcing based upon application and local codes.

SPECIFICATION:

MIFAB® Series P6280, 10" wide, 10 gauge, Type 304 stainless steel angle frame and anchor tabs with bead blasted finish.



SCAN ME

MODEL NUMBER	DESCRIPTION	WEIGHT (LESS GRATE) Lbs.	LIST PRICE / FOOT
P6280	10" wide, Type 304 Stainless Steel Frame System	10	\$958.25

ACCESSORIES

LIST PRICE (ADD), TYPE 304 S.S.

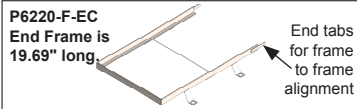
- 6 Vandal Proof grates (center lockdown)
- 29 Type 316 Stainless Steel
- 45 45 Degree fabricated frame
- 90 90 Degree fabricated frame
- CF Cross fabricated frame
- TEE Tee fabricated frame

Note: See page 9 for the grates available and their List Prices

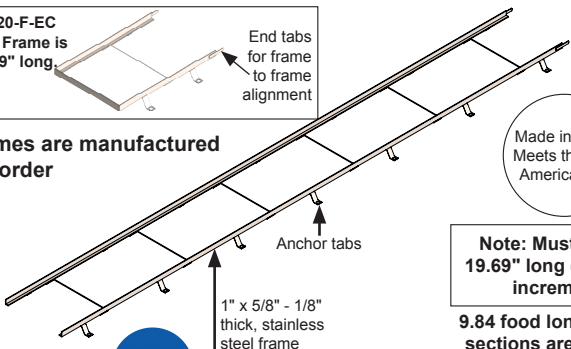
Note: Every order of this product is a special / custom order fabrication. This product is non-returnable and non-cancellable.
NOTE: One, two and three meter sections available.

- \$15.75
- Contact MIFAB
- \$2,074.00
- \$2,074.00
- \$3,924.00
- \$2,074.00

P6220 - 14" Wide, 12" Internal Width, Stainless Steel Frame and Grate System



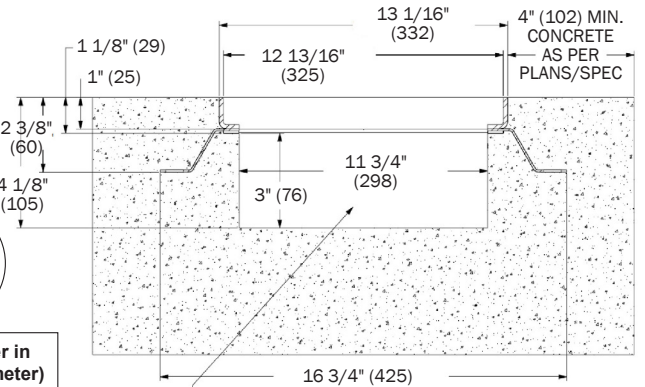
Frames are manufactured per order



Made in USA. Meets the Buy America Act.

Note: Must order in 19.69" long (1/2 meter) increments.

9.84 food long (3 meter) sections are standard.



Poured in place, concrete encasement by others. Specifying engineer is responsible for concrete encasement and reinforcing based upon application and local codes.



SPECIFICATION:

MIFAB® Series P6220, 14" wide, 10 gauge, Type 304 stainless steel angle frame and anchor tabs with bead blasted finish.



SCAN ME

MODEL NUMBER	DESCRIPTION	WEIGHT (LESS GRATE) Lbs.	LIST PRICE / FOOT
P6220	14" wide, Type 304 Stainless Steel Frame System	12	\$1,216.75

LIST PRICE (ADD), TYPE 304 S.S.

- 6 Vandal Proof grates (center lockdown)
- 29 Type 316 Stainless Steel
- 45 45 Degree fabricated frame
- 90 90 Degree fabricated frame
- CF Cross fabricated frame
- TEE Tee fabricated frame

Note: See page 9 for the grates available and their List Prices

Note: Every order of this product is a special / custom order fabrication. This product is non-returnable and non-cancellable.
NOTE: One, two and three meter sections available.

- \$15.75
- Contact MIFAB
- \$2,195.75
- \$2,195.75
- \$4,753.00
- \$2,195.75

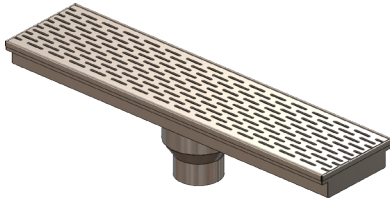
NOTE: Flow rate information per channel section is available on the www.mifab.com website NOTE: Custom lengths, widths, depths, slopes and profiles available upon request. Contact MIFAB®.

CALIFORNIA PROPOSITION 65 WARNING. This product contains chemicals known to the State of California to cause cancer and birth defects or other reproductive harm.

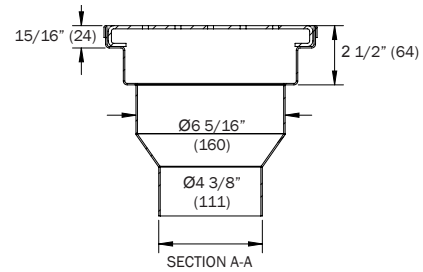
Visit www.mifab.com for the most recent product information. Design and dimensions are subject to modification. Prices do not include applicable taxes.

Toll Free: 1-800-465-2736, Fax: 1-773-341-3049
sales@mifab.com Canada Toll Free: 1-800-387-3880

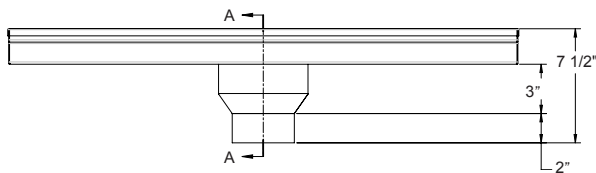
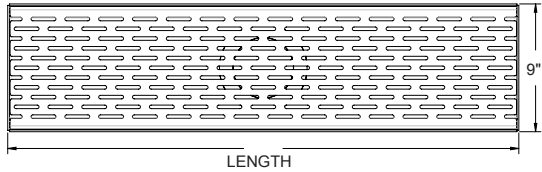
MIFAB®, Inc., 1321 West 119th Street, Chicago, Illinois 60643-5109, USA
All sales subject to MIFAB's Terms and Warranties. Please refer to page 53.



SCAN ME



Testing performed on 36", 43" and 96" long trench drains with 4" bottom outlets to a 100 GPM flow rate.



MODEL NUMBER	DESCRIPTION	WEIGHT Lbs.	LIST PRICE
P6090-ELTD-36	9" wide, 11 gauge Type 304 S.S., 36" long elevator drain with Load Class A slotted grate.	13	\$4,599.00
P6090-ELTD-43	9" wide, 11 gauge Type 304 S.S., 43" long elevator drain with Load Class A slotted grate.	15	\$5,956.00
P6090-ELTD-96	9" wide, 11 gauge Type 304 S.S., 96" long elevator drain with Load Class A slotted grate.	30	\$12,258.00

ANSI A112.21.1M Light Duty Load Rated - up to 2,000 Lbs.

SPECIFICATION:

MIFAB® Series P6090-ELTD Elevator Trench Drain, 9" wide, 7" Internal width, 11 gauge fabricated Type 304 stainless steel channels (conforming to ASTM A-240) and slotted, Load Class "A" stainless steel grates per DIN EN 1433 and 2,500 lbs. per ASME A112.6.3 with vandal proof lockdowns and bead blasted finish. Grates meet ADA and heel-proof requirements. Grate free area (grate intake) of 19 square inches per 1' section. Channels available in either 36", 43" or 96" lengths. Center outlets are standard in 4" no hub connections and fabricated as part of the trench drain system. 6" no hub outlet is available as an option. IAPMO tested and certified to a 100 GPM flow rate.

FUNCTION:

Used in Fire Service Access Elevators. Prevents water used to extinguish fires from entering the elevator shaft, protecting emergency personnel with egress and staging requirements. Installed in front of elevator door or elevator bank. ADA compliant, heel-proof grating construction meets City of San Francisco SFFC Code, Section 511.1 and California State Building Code sections 403.6.1, 403.6.2, 3007.4 and 3008.4.

OPTIONAL VARIATIONS

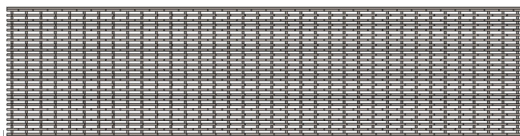
LIST PRICE (ADD), TYPE 304 S.S.

-6NH	6" No hub outlet connection	\$546.00
-7	1/2" Trap Seal Primer connection	\$533.00
-7MG	MI-GARD Trap Seal Protection device (4" or 6")	\$99.00
-29	Type 316 Stainless Steel	Contact MIFAB
-FLC	Anchor (waterproofing) flange and membrane clamp	\$482.00 / foot
-PC	Powder coated, (one color choice)	\$271.00 / foot
-PC2	Powder coated, (two tone color choice)	\$482.00 / foot

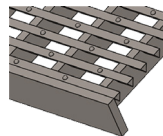
OPTIONAL GRATES

LIST PRICE (ADD), TYPE 304 S.S.

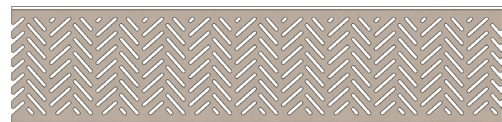
-AS	Fabricated, Type 304 Stainless Steel angle slotted, heel-proof and ADA compliant grate, Load Class A	No Add
-WW	Wedgewire, non-slip, Type 304 Stainless Steel heel-proof and ADA compliant grate, Load Class B	\$78.00 / foot



-WW - Wedgewire grate



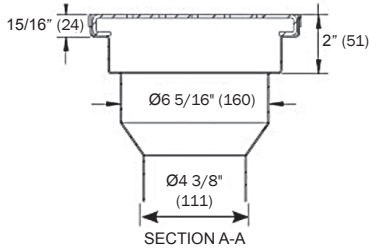
Wedgewire grate cross section view



-AS - Fabricated angle slotted grate

Note: The neoprene gasket used to connect long runs of trench drain channels is not recommended for use with caustic or harsh chemicals. In these cases, it is recommended that the trench drain channels be welded on site.

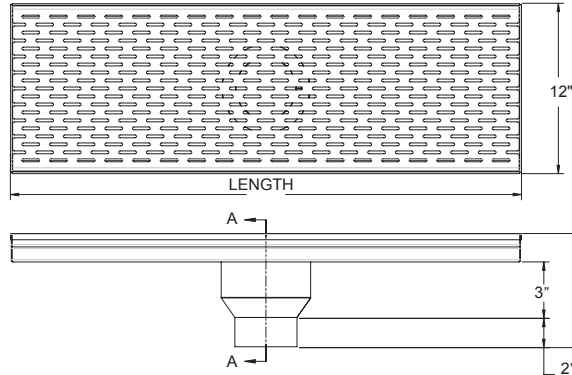
CALIFORNIA PROPOSITION 65 WARNING. This product contains chemicals known to the State of California to cause cancer and birth defects or other reproductive harm.



Illustrated with angle slotted grate

Testing performed on 36", 43" and 96" long trench drains with 4" bottom outlets to a 100 GPM flow rate.

MODEL NUMBER	DESCRIPTION	WEIGHT Lbs.	LIST PRICE
P6120-ELTD-36	12" wide, 11 gauge Type 304 S.S., 36" long elevator drain with Load Class A slotted grate.	26	\$5,085.00
P6120-ELTD-43	12" wide, 11 gauge Type 304 S.S., 43" long elevator drain with Load Class A slotted grate.	30	\$6,442.00
P6120-ELTD-96	12" wide, 11 gauge Type 304 S.S., 96" long elevator drain with Load Class A slotted grate.	60	\$13,372.00



SPECIFICATION:

MIFAB® Series P6120-ELTD Elevator Trench Drain, 12" wide, 10" internal width, 11 gauge fabricated Type 304 stainless steel channels (conforming to ASTM A-240) and slotted, Load Class "A" stainless steel grates per DIN EN 1433 and 2,500 lbs. per ASME A112.6.3 with vandal proof lockdowns and bead blasted finish. Grates meet ADA and heel-proof requirements. Grate free area (grate intake) of 28 square inches per 1' section. Channels available in either 36", 43" or 96" lengths. Center outlets are standard in 4" no hub connections and fabricated as part of the trench drain system. 6" no hub outlet is available as an option. IAPMO tested and certified to a 100 GPM flow rate.

FUNCTION:

Used in Fire Service Access Elevators. Prevents water used to extinguish fires from entering the elevator shaft, protecting emergency personnel with egress and staging requirements. Installed in front of elevator door or elevator bank. ADA compliant, heel-proof grating construction meets City of San Francisco SFFC Code, Section 511.1 and California State Building Code sections 403.6.1, 403.6.2, 3007.4 and 3008.4.

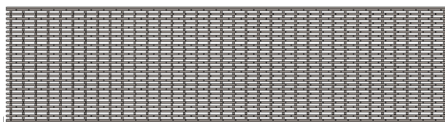
ANSI A112.21.1M Light Duty Load Rated - up to 2,000 Lbs.

OPTIONAL VARIATIONS

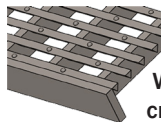
		LIST PRICE (ADD), TYPE 304 S.S.
-6NH	6" No hub outlet connection	\$546.00
-7	1/2" Trap Seal Primer connection	\$533.00
-7MG	MI-GARD Trap Seal Protection device (4" or 6")	\$99.00
-29	Type 316 Stainless Steel	Contact MIFAB
-FLC	Anchor (waterproofing) flange and membrane clamp	\$518.00 / foot
-PC	Powder coated, (one color choice)	\$292.00 / foot
-PC2	Powder coated, (two tone color choice)	\$518.00 / foot

OPTIONAL GRATES

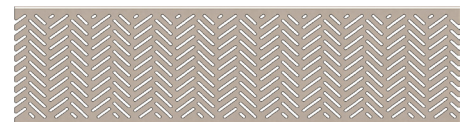
		LIST PRICE (ADD), TYPE 304 S.S.
-AS	Fabricated, Type 304 Stainless Steel angle slotted, heel-proof and ADA compliant grate, Load Class A	No Add
-WW	Wedgewire, non-slip, Type 304 Stainless Steel heel-proof and ADA compliant grate, Load Class B	\$89.25 / foot



-WW - Wedgewire grate



Wedgewire grate cross section view



-AS - Fabricated angle slotted grate

Note: The neoprene gasket used to connect long runs of trench drain channels is not recommended for use with caustic or harsh chemicals. In these cases, it is recommended that the trench drain channels be welded together on site.

CALIFORNIA PROPOSITION 65 WARNING. This product contains chemicals known to the State of California to cause cancer and birth defects or other reproductive harm.

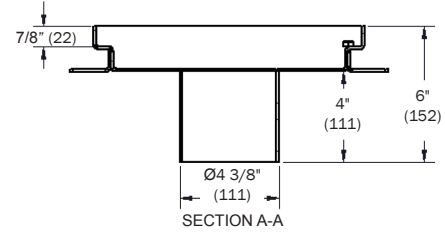
Visit www.mifab.com for the most recent product information. Design and dimensions are subject to modification. Prices do not include applicable taxes.

Toll Free: 1-800-465-2736, Fax: 1-773-341-3049
sales@mifab.com Canada Toll Free: 1-800-387-3880

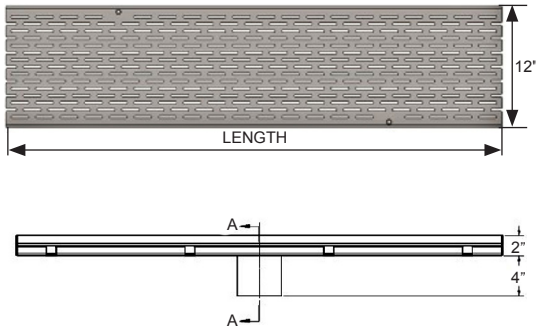
MIFAB®, Inc., 1321 West 119th Street, Chicago, Illinois 60643-5109, USA
All sales subject to MIFAB®'s Terms and Warranties. Please refer to page 53.



Illustrated with angle
slotted grate



Testing performed on 36", 43" and 96" long trench drains with 4" bottom outlets to a 100 GPM flow rate.



MODEL NUMBER	DESCRIPTION	WEIGHT Lbs.	LIST PRICE
P6220-ELTD-36	12" wide, 11 gauge Type 304 S.S., 36" long elevator drain with Load Class A slotted grate.	26	\$4,725.00
P6220-ELTD-43	12" wide, 11 gauge Type 304 S.S., 43" long elevator drain with Load Class A slotted grate.	30	\$5,880.00
P6220-ELTD-96	12" wide, 11 gauge Type 304 S.S., 96" long elevator drain with Load Class A slotted grate.	60	\$11,550.00

SPECIFICATION:

MIFAB® Series P6220-ELTD Elevator Trench Drain, 12" wide, 10" internal width, 11 gauge fabricated Type 304 stainless steel channels (conforming to ASTM A-240) and slotted, Load Class "A" stainless steel grates per DIN EN 1433 and 2,500 lbs. per ASME A112.6.3 with vandal proof lockdowns and bead blasted finish. Grates meet ADA and heel-proof requirements. Grate free area (grate intake) of 28 square inches per 1' section. Channels available in either 36", 43" or 96" lengths. Center outlets are standard in 4" no hub connections and fabricated as part of the trench drain system. 6" no hub outlet is available as an option. IAPMO tested and certified to a 100 GPM flow rate.

FUNCTION:

Used in Fire Service Access Elevators. Prevents water used to extinguish fires from entering the elevator shaft, protecting emergency personnel with egress and staging requirements. Installed in front of elevator door or elevator bank. ADA compliant, heel-proof grating construction meets City of San Francisco SFFC Code, Section 511.1 and California State Building Code sections 403.6.1, 403.6.2, 3007.4 and 3008.4.

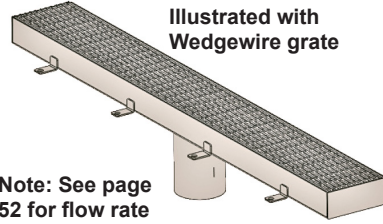
ANSI A112.21.1M Light Duty Load Rated - up to 2,000 Lbs.

OPTIONAL VARIATIONS

		LIST PRICE (ADD), TYPE 304 S.S.
-6NH	6" No hub outlet connection	\$546.00
-7	1/2" Trap Seal Primer connection	\$533.00
-7MG	MI-GARD Trap Seal Protection device (4" or 6")	\$99.00
-29	Type 316 Stainless Steel	Contact MIFAB
-FLC	Anchor (waterproofing) flange and membrane clamp	\$518.00 / foot
-PC	Powder coated, (one color choice)	\$292.00 / foot
-PC2	Powder coated, (two tone color choice)	\$518.00 / foot

Note: The neoprene gasket used to connect long runs of trench drain channels is not recommended for use with caustic or harsh chemicals. In these cases, it is recommended that the trench drain channels be welded together on site.

CALIFORNIA PROPOSITION 65 WARNING. This product contains chemicals known to the State of California to cause cancer and birth defects or other reproductive harm.



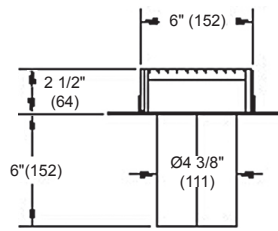
Illustrated with Wedgewire grate



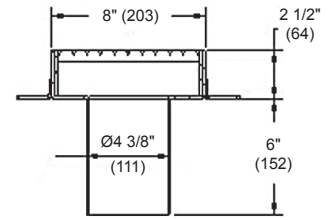
SCAN ME

Note: See page 52 for flow rate details.

P6460-THTD cross section



P6480-THTD cross section

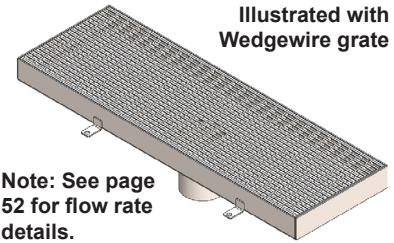
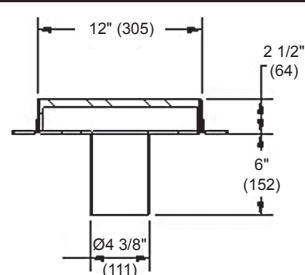


MODEL NUMBER	DESCRIPTION	GRATE FREE AREA (Sq. In.)	WEIGHT Lbs.	LIST PRICE
P6460-THTD-36	6" wide, 36" long, Wedgewire grate	126	24	\$2,205.00
P6460-THTD-48	6" wide, 48" long, Wedgewire grate	168	32	\$3,198.00
P6460-THTD-60	6" wide, 60" long, Wedgewire grate	210	39	\$4,190.00
P6460-THTD-72	6" wide, 72" long, Wedgewire grate	253	46	\$5,182.00
P6460-THTD-96	6" wide, 96" long, Wedgewire grate	337	62	\$7,166.00
P6460-THTD-108	6" wide, 108" long, Wedgewire grate	380	69	\$8,159.00

MODEL NUMBER	DESCRIPTION	GRATE FREE AREA (Sq. In.)	WEIGHT Lbs.	LIST PRICE
P6480-THTD-36	8" wide, 36" long, Wedgewire grate	195	30	\$3,033.00
P6480-THTD-48	8" wide, 48" long, Wedgewire grate	228	38	\$4,410.00
P6480-THTD-60	8" wide, 60" long, Wedgewire grate	285	48	\$5,954.00
P6480-THTD-72	8" wide, 72" long, Wedgewire grate	342	62	\$7,387.00
P6480-THTD-96	8" wide, 96" long, Wedgewire grate	457	79	\$10,143.00
P6480-THTD-108	8" wide, 108" long, Wedgewire grate	514	85	\$11,687.00

SPECIFICATION:

MIFAB® Series P6460-THTD / P6480-THTD Threshold Trench Drain, 6" / 8" wide, 11 gauge fabricated Type 304 stainless steel channels (conforming to ASTM A-240) and Load Class "B" stainless steel non-slip Wedgewire grates per DIN EN 1433 with vandal proof lockdowns and bead blasted finish. Grates meet ADA and heel-proof requirements. Channels available in either 36", 48", 60", 72", 96" or 108" lengths. Center outlets are standard in 4" no hub connections and fabricated as part of the trench drain system. 6" no hub outlet is available as an option.



Illustrated with Wedgewire grate

Note: See page 52 for flow rate details.

P6560-THTD - 12" Wide, Stainless Steel Threshold Drain

SPECIFICATION: MIFAB® Series P6560-THTD Threshold Trench Drain, 12" wide, 11 gauge fabricated Type 304 stainless steel channels (conforming to ASTM A-240) and Load Class "B" stainless steel non-slip Wedgewire grates per DIN EN 1433 with vandal proof lockdowns and bead blasted finish. Grates meet ADA and heel-proof requirements. Channels available in either 36", 48", 60", 72", 96" or 108" lengths. Center outlets are standard in 4" no hub connections and fabricated as part of the trench drain system. 6" no hub outlet is available as an option.

FUNCTION: Used in Fire Service Access Elevators. Prevents water used to extinguish fires from entering the elevator shaft, protecting emergency personnel with egress and staging requirements. Installed in front of elevator door or elevator bank.

MODEL NUMBER	DESCRIPTION	GRATE FREE AREA (Sq. In.)	WEIGHT Lbs.	LIST PRICE
P6560-THTD-36	12" wide, 36" long Wedgewire grate	250	36	\$3,859.00
P6560-THTD-48	12" wide, 48" long Wedgewire grate	335	46	\$5,733.00
P6560-THTD-60	12" wide, 60" long Wedgewire grate	419	57	\$7,718.00
P6560-THTD-72	12" wide, 72" long Wedgewire grate	503	72	\$9,702.00
P6560-THTD-96	12" wide, 96" long Wedgewire grate	672	93	\$13,230.00
P6560-THTD-108	12" wide, 108" long Wedgewire grate	756	104	\$15,215.00

NOTE: Other lengths and widths are available. Contact MIFAB® for details

OPTIONAL VARIATIONS FOR P6460-THTD, P6480-THTD and P6560-THTD LIST PRICE (ADD), TYPE 304 S.S.

- 6NH 6" No hub outlet connection (For P6480-THTD and P6560-THTD)
- 7 1/2" Trap Seal Primer connection
- 7MG MI-GARD Trap Seal Protection device (4" or 6")
- 29 Type 316 Stainless Steel
- FLC Anchor (waterproofing) flange and membrane clamp
- PC Powder coated, (one color choice)
- PC2 Powder coated, (two tone color choice)



SCAN ME

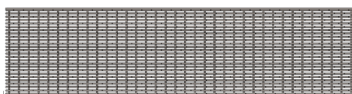
\$546.00
\$533.00
\$99.00
Contact MIFAB
\$482.00 / foot
\$271.00 / foot
\$482.00 / foot

OPTIONAL GRATES

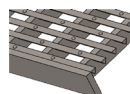
- AS Fabricated, Type 304 Stainless Steel angle slotted, heel-proof and ADA compliant grate, Load Class A
- FS Fabricated, Type 304 Stainless Steel slotted, heel-proof and ADA compliant grate, Load Class A

LIST PRICE (ADD), TYPE 304 S.S.

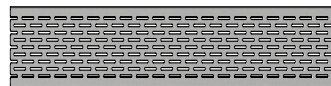
No Add
No Add



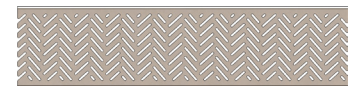
Wedgewire grate (Standard)



Wedgewire grate cross section view



-FS - Fabricated slotted grate



-AS - Fabricated angle slotted grate

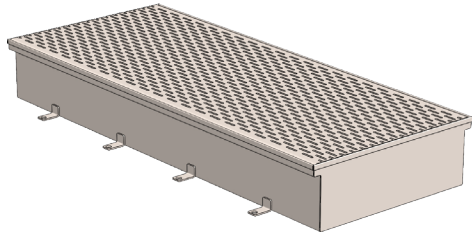
Note: The neoprene gasket used to connect long runs of trench drain channels is not recommended for use with caustic or harsh chemicals. In these cases, it is recommended that the trench drain channels be welded on site.

CALIFORNIA PROPOSITION 65 WARNING. This product contains chemicals known to the State of California to cause cancer and birth defects or other reproductive harm.

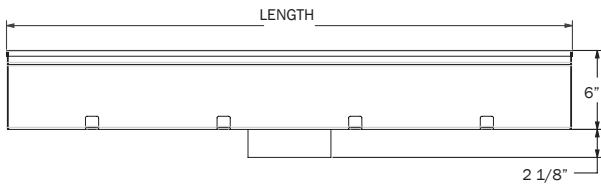
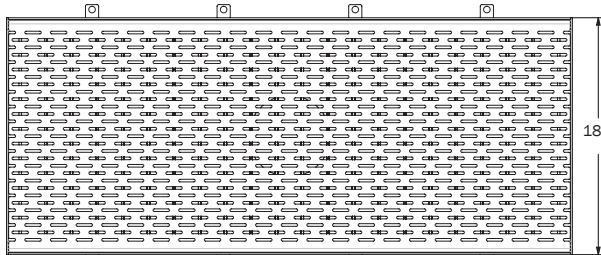
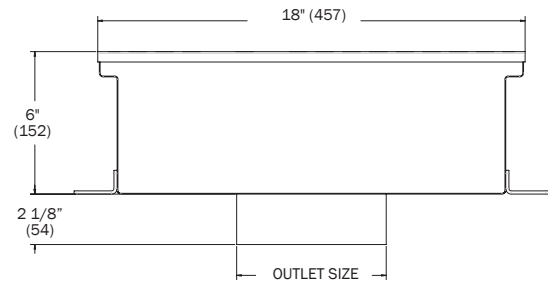
Visit www.mifab.com for the most recent product information. Design and dimensions are subject to modification. Prices do not include applicable taxes.

Toll Free: 1-800-465-2736, Fax: 1-773-341-3049
sales@mifab.com Canada Toll Free: 1-800-387-3880

MIFAB®, Inc., 1321 West 119th Street, Chicago, Illinois 60643-5109, USA
All sales subject to MIFAB®'s Terms and Warranties. Please refer to page 53.



SCAN ME



MODEL NUMBER	DESCRIPTION	GRATE FREE AREA (Sq. In.)	WEIGHT Lbs.	LIST PRICE
P6130	18" wide, 16 gauge Type 304 S.S., trench drain with Load Class A slotted grate.	195	10, per foot	\$1,146.00 - up to 10" deep
			12, per foot	\$1,472.00 - +10" deep

ANSI A112.21.1M Light Duty Load Rated - up to 2,000 Lbs.

SPECIFICATION:

MIFAB® Series P6130 Trench Drain, 18" wide, 16" internal width, 16 gauge fabricated Type 304 stainless steel channels with anchor tabs and Load Class "A" stainless steel, fabricated slotted grates per DIN EN 1433 and 2,500 lbs. per ASME A112.6.3 with bead blasted finish. Channels and grates available to any length required. Center outlets are standard in 6" no hub outlet connections and fabricated as part of the trench drain.

OPTIONAL VARIATIONS

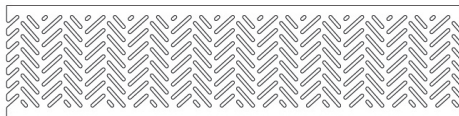
LIST PRICE (ADD), TYPE 304 S.S.

- 6 Vandal proof grates (center lockdown) \$15.75 / each grate
- 20 Bottom outlet strainer (P6130-ST) \$442.00 / each
- 29 Type 316 Stainless Steel Contact MIFAB
- 45 45 Degree fabricated body \$5,225.00 / each
- 90 90 Degree fabricated body \$5,225.00 / each
- CF Cross fabricated body \$10,444.00 / each
- EC Closed end cap \$762.00 / each
- EO End outlet \$762.00 / each
- FL Anchor (waterproofing) flange \$205.00 / each
- FLC Membrane clamp (includes anchor flange) \$309.00 / each
- TEE Tee fabricated body \$5,225.00 / each

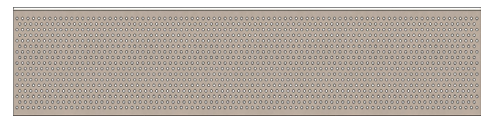
OPTIONAL GRATES

LIST PRICE (ADD), TYPE 304 S.S.

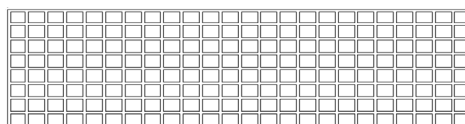
- AS Reinforced, Type 304 Stainless Steel angle slotted grate, Load Class A \$1,915.00 / Foot
- FG Fiberglass grate, Load Class A \$387.00 / Foot
- FP Reinforced, Type 304 Stainless Steel perforated grate, Load Class A \$1,915.00 / Foot



-AS - Angle Slot grate



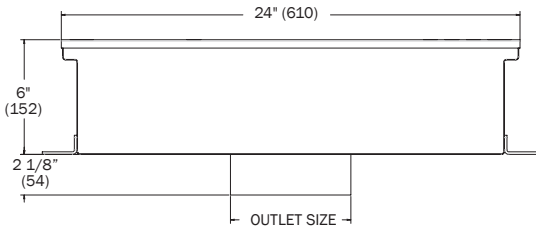
-FP - Fabricated perforated grate



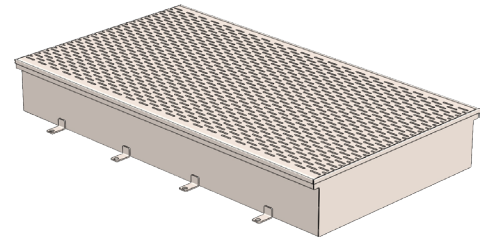
-FG Fiberglass grate

Note: The neoprene gasket used to connect long runs of trench drain channels is not recommended for use with caustic or harsh chemicals. In these cases, it is recommended that the trench drain channels be welded together on site.

CALIFORNIA PROPOSITION 65 WARNING. This product contains chemicals known to the State of California to cause cancer and birth defects or other reproductive harm.



SCAN ME

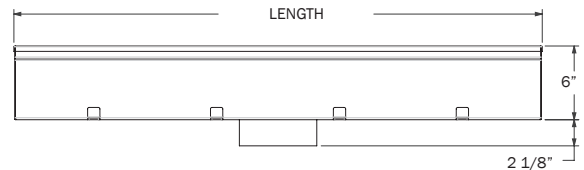
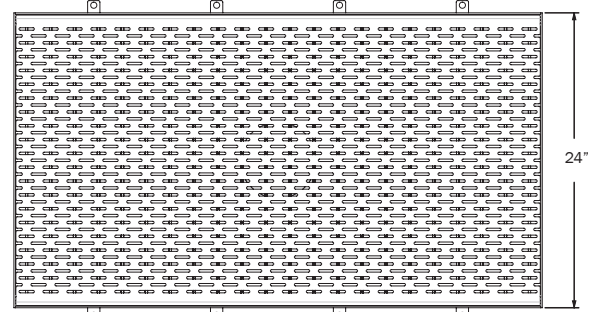


MODEL NUMBER	DESCRIPTION	GRATE FREE AREA (Sq. In.)	WEIGHT Lbs.	LIST PRICE
P6140	24" wide, 16 gauge Type 304 S.S., trench drain with Load Class A fabricated stainless steel slotted grate.	195	15, per foot	\$1,379.00 - up to 10" deep
			17, per foot	\$1,555.00 - +10" deep

ANSI A112.21.1M Light Duty Load Rated - up to 2,000 Lbs.

SPECIFICATION:

MIFAB® Series P6140 Trench Drain, 24" wide, 22" internal width, 16 gauge fabricated Type 304 stainless steel channels with anchor tabs and Load Class "A" stainless steel, fabricated slotted grates per DIN EN 1433 and 2,500 lbs. per ASME A112.6.3 with bead blasted finish. Channels and grates available to any length required. Center outlets are standard in 6" no hub outlet connections and fabricated as part of the trench drain.



OPTIONAL VARIATIONS

- 6 Vandal proof grates (center lockdown)
- 20 Bottom outlet strainer (P6130-ST)
- 29 Type 316 Stainless Steel
- 45 45 Degree fabricated body
- 90 90 Degree fabricated body
- CF Cross fabricated body
- EC Closed end cap
- EO End outlet
- FL Anchor (waterproofing) flange
- FLC Membrane clamp (includes anchor flange)
- TEE Tee fabricated body

LIST PRICE (ADD), TYPE 304 S.S.

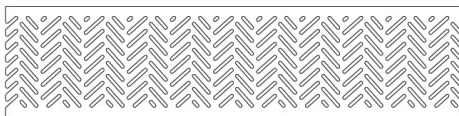
- \$15.75 / each grate**
- \$442.00 / each**
- Contact MIFAB**
- \$4,659.00 / each**
- \$4,659.00 / each**
- \$9,310.00 / each**
- \$420.00 / each**
- \$420.00 / each**
- \$205.00 / each**
- \$309.00 / each**
- \$4,659.00 / each**

OPTIONAL GRATES

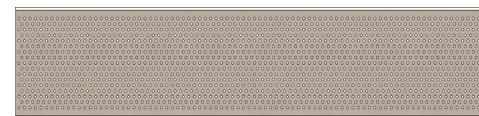
- AS Reinforced, Type 304 Stainless Steel angle slotted grate, Load Class A
- FG Fiberglass grate, Load Class A
- FP Reinforced, Type 304 Stainless Steel perforated grate, Load Class A

LIST PRICE (ADD), TYPE 304 S.S.

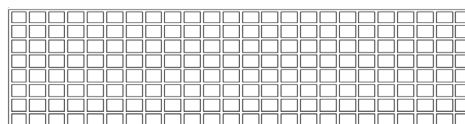
- \$2,138.00 / Foot**
- \$705.00 / Foot**
- \$2,138.00 / Foot**



-AS - Angle Slot grate



-FP - Fabricated perforated grate



-FG Fiberglass grate

Note: The neoprene gasket used to connect long runs of trench drain channels is not recommended for use with caustic or harsh chemicals. In these cases, it is recommended that the trench drain channels be welded together on site.

CALIFORNIA PROPOSITION 65 WARNING. This product contains chemicals known to the State of California to cause cancer and birth defects or other reproductive harm.

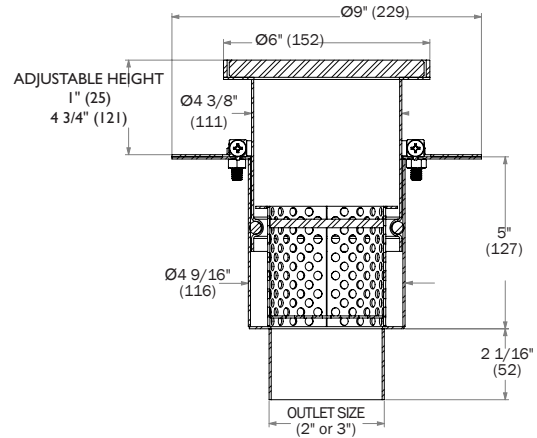
Visit www.mifab.com for the most recent product information. Design and dimensions are subject to modification. Prices do not include applicable taxes.

Toll Free: 1-800-465-2736, Fax: 1-773-341-3049
sales@mifab.com Canada Toll Free: 1-800-387-3880

MIFAB®, Inc., 1321 West 119th Street, Chicago, Illinois 60643-5109, USA
All sales subject to MIFAB's Terms and Warranties. Please refer to page 53.



Special duty round slotted grate with finger holes (-RS)
(Grate part # - P3060-PG-RS)



Special duty solid cover with perimeter drain gap (-PD)
(Grate part # - P3060-PG-PD)

SPECIFICATION:

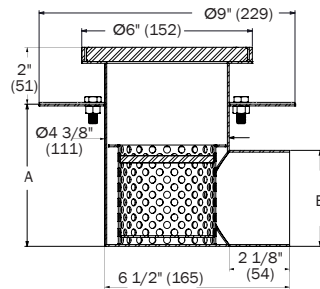
MIFAB® Series P3060, 6" round floor drain manufactured out of 16 gauge, Type 316 stainless steel with anchor flange and slotted special duty stainless steel grate with bead blasted finish and sediment bucket. Grate free area of 14 square inches. Bottom outlets are available in 2" or 3" no hub outlet connections and fabricated as part of the floor drain.

FUNCTION:

Used in industrial, commercial, kitchen and other hygienic areas. Type 316 stainless steel construction provides for ease of cleaning, maintenance and sanitary installation. All grate openings are polished to a smooth finish. Deep sump ideal for installations that require a sediment bucket to receive debris. Adjustable top assembly for easier installation.



Optional -90 side outlet
(with non-adjustable top)



MODEL	A	B
P3062-90	4" [102]	2" No-Hub
P3063-90	5" [127]	3" No-Hub

MODEL NUMBER	DESCRIPTION	WEIGHT Lbs.	LIST PRICE
P3062 P3063	6" Round, Type 316 Stainless Steel Fabricated Floor Drain and Sediment Bucket, (16 Gauge Body and special duty slotted grate with 2" or 3" No Hub outlet).	3	\$721.50

Note: See below for optional -PD and -RS grate pricing

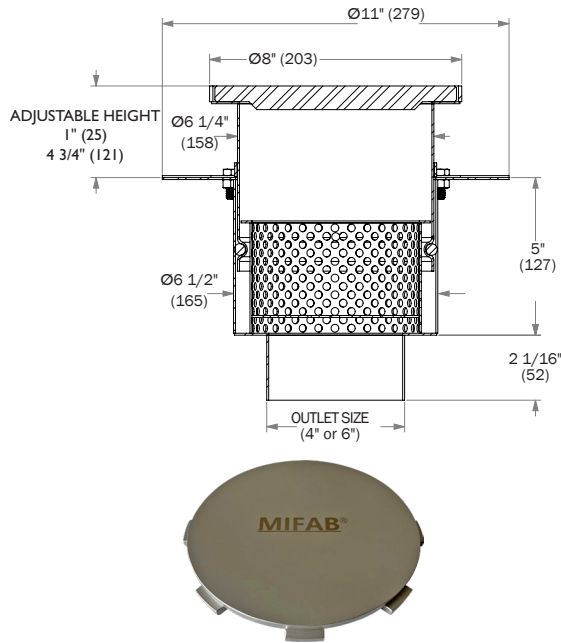
**ANSI A112.21.1M Point Drain Special Duty
Load Rated - Over 10,000 Lbs.**

OPTIONAL VARIATIONS

LIST PRICE (ADD)

-6	Vandal Proof	\$448.50
-7	1/2" Trap Seal Primer connection	\$99.00
-7MG	MI-GARD Trap Seal Protection device (2" or 3")	\$99.00
-90	No Hub side outlet connection (specify 2" or 3")	\$116.00
-150	1/2 Grate	No Add
-175	3/4 Grate	No Add
-BW	Butt weld outlet connection (2" or 3")	No Add
-FLC	Membrane Clamp (includes anchor flange)	\$290.00
-NS	Anti-slip grate	\$110.00
-PD	1/2" thick, special duty solid cover with perimeter drain gap	\$296.00
-RS	1/2" thick, special duty, round slotted grate with finger holes	\$296.00
-T	Threaded outlet	\$576.50

CALIFORNIA PROPOSITION 65 WARNING. This product contains chemicals known to the State of California to cause cancer and birth defects or other reproductive harm.



SCAN ME



Special duty solid cover with perimeter drain gap (-PD)
(Grate part # - P3080-PG-PD)

Special duty round slotted grate with finger holes (-RS)
(Grate part # - P3080-PG-RS)

SPECIFICATION:

MIFAB® Series P3080, 8" round floor drain manufactured out of 16 gauge, Type 316 stainless steel with anchor flange and slotted special duty stainless steel grate with bead blasted finish and sediment bucket. Grate free area of 18 square inches. Bottom outlets are available in 4" or 6" no hub outlet connections and fabricated as part of the floor drain.

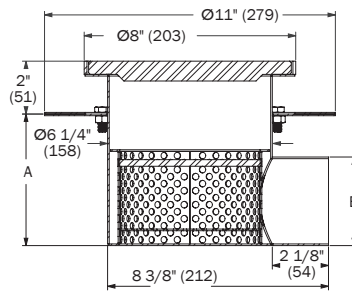
FUNCTION:

Used in industrial, commercial, kitchen and other hygienic areas. Type 316 stainless steel construction provides for ease of cleaning, maintenance and sanitary installation. All grate openings are polished to a smooth finish. Deep sump ideal for installations that require a sediment bucket to receive debris. Adjustable top assembly for easier installation.

MODEL NUMBER	DESCRIPTION	WEIGHT Lbs.	LIST PRICE
P3084	8" Round, Type 316 Stainless Steel Fabricated Floor Drain and Sediment Bucket, (16 Gauge Body and special duty slotted grate with 4" No Hub outlet).	5	\$944.00
P3086	6" No Hub Outlet	5	\$1,097.25

Note: See below for optional -PD and -RS grate pricing

ANSI A112.1.1M Point Drain Special Duty Load Rated - Over 10,000 Lbs.



Optional -90 side outlet (with non-adjustable top)

MODEL	A	B
P3084-90	5" (127)	4" No Hub
P3086-90	6" (152)	6" No Hub

OPTIONAL VARIATIONS

LIST PRICE (ADD)

-6	Vandal Proof	\$448.50
-7	1/2" Trap Seal Primer connection	\$99.00
-7MG	MI-GARD Trap Seal Protection device (4" or 6")	\$99.00
-90	No Hub side outlet connection (specify 4" or 6")	\$116.00
-150	1/2 Grate	No Add
-175	3/4 Grate	No Add
-BW	Butt weld outlet connection (4" or 6")	No Add
-C	Membrane Clamp (includes anchor flange)	\$290.00
-NS	Anti-slip grate	\$110.00
-PD	1/2" thick, special duty solid cover with perimeter drain gap	\$296.00
-RS	1/2" thick, special duty, round slotted grate with finger holes	\$296.00
-T	Threaded outlet	\$576.50

CALIFORNIA PROPOSITION 65 WARNING. This product contains chemicals known to the State of California to cause cancer and birth defects or other reproductive harm.

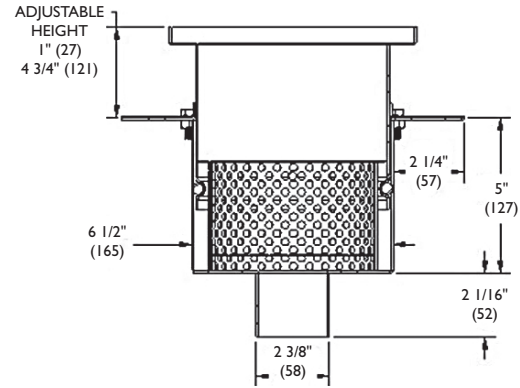
Visit www.mifab.com for the most recent product information. Design and dimensions are subject to modification. Prices do not include applicable taxes.

Toll Free: 1-800-465-2736, Fax: 1-773-341-3049
sales@mifab.com Canada Toll Free: 1-800-387-3880

MIFAB®, Inc., 1321 West 119th Street, Chicago, Illinois 60643-5109, USA
All sales subject to MIFAB®'s Terms and Warranties. Please refer to page 53.



Special duty round slotted grate with finger holes (-RS)
(Grate part # - P3080-PG-RS)



Special duty solid cover with perimeter drain gap (-PD)
(Grate part # - P3080-PG-PD)



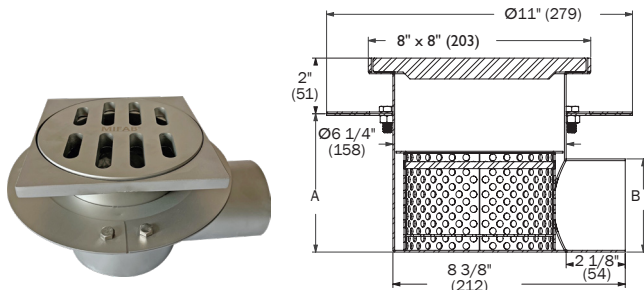
SCAN ME

SPECIFICATION:

MIFAB® Series P3080-S, 8" x 8" square floor drain manufactured out of 16 gauge, Type 316 stainless steel with anchor flange and slotted special duty stainless steel grate with bead blasted finish and sediment bucket. Grate free area of 26 square inches. Bottom outlets are available in 3" or 4" no hub outlet connections and fabricated as part of the floor drain.

FUNCTION:

Used in industrial, commercial, kitchen and other hygienic areas. Type 316 stainless steel construction provides for ease of cleaning, maintenance and sanitary installation. All grate openings are polished to a smooth finish. Deep sump ideal for installations that require a sediment bucket to receive debris. Adjustable top assembly for easier installation.



Optional -90 side outlet
(with non-adjustable top)

MODEL	A	B
P3083-S-90	4" (102)	3" No Hub
P3084-S-90	5" (127)	4" No Hub

MODEL NUMBER	DESCRIPTION	WEIGHT Lbs.	LIST PRICE
P3083-S P3084-S	8" x 8" square, Type 316 Stainless Steel Fabricated Floor Drain and Sediment Bucket, (16 Gauge Body and special duty slotted grate with 3" or 4" No Hub outlet).	6	\$1,270.50

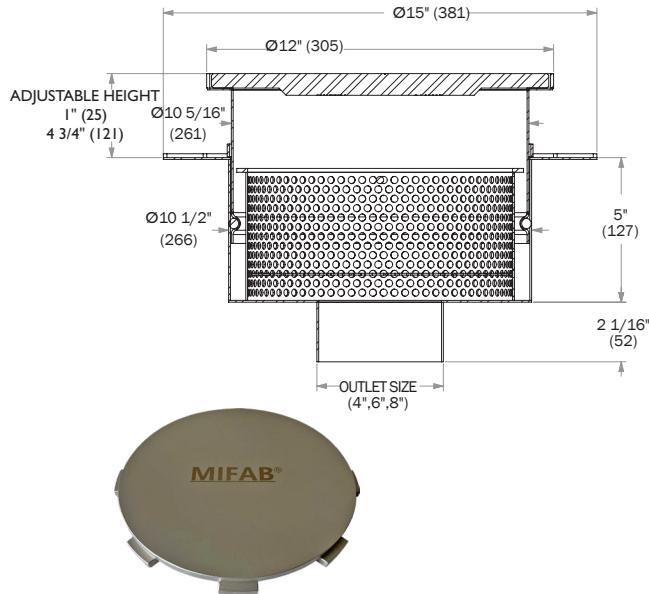
Note: See below for optional -PD and -RS grate pricing

**ANSI A112.21.1M Point Drain Special Duty
Load Rated - Over 10,000 Lbs.**

OPTIONAL VARIATIONS

		LIST PRICE (ADD)
-6	Vandal Proof	\$448.50
-7	1/2" Trap Seal Primer connection	\$99.00
-7MG	MI-GARD Trap Seal Protection device (3" or 4")	\$99.00
-90	No Hub side outlet connection (specify 3" or 4")	\$116.00
-150	1/2 Grate	No Add
-175	3/4 Grate	No Add
-BW	Butt weld outlet connection (3" or 4")	No Add
-C	Membrane Clamp (includes anchor flange)	\$562.00
-NS	Anti-slip grate	\$110.00
-PD	1/2" thick, special duty solid cover with perimeter drain gap	\$296.00
-RS	1/2" thick, special duty, round slotted grate with finger holes	\$296.00
-T	Threaded outlet	\$576.50

CALIFORNIA PROPOSITION 65 WARNING. This product contains chemicals known to the State of California to cause cancer and birth defects or other reproductive harm.



Special duty solid cover with perimeter drain gap (-PD)
(Grate part # - P3230-PG-PD)



SCAN ME

Special duty round slotted grate with finger holes (-RS)
(Grate part # - P3230-PG-RS)

SPECIFICATION:

MIFAB® Series P3100, 12" round, adjustable depth floor drain manufactured out of 16 gauge, Type 316 stainless steel with anchor flange, and slotted special duty stainless steel grate with bead blasted finish and sediment bucket. Grate free area of 22 square inches. Bottom outlets are available in 4", 6" or 8" no hub outlet connections & fabricated as part of the floor drain.

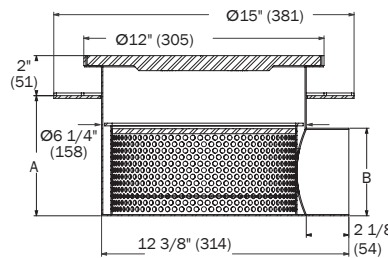
MODEL NUMBER	DESCRIPTION	WEIGHT Lbs.	LIST PRICE
P3104	12" Round, adjustable depth Type 316 Stainless Steel Fabricated Floor Drain and Sediment Bucket, (16 Gauge Body and special duty slotted grate with 4" No Hub outlet).	29	\$1,821.75
P3106 P3108	6" or 8" No Hub Outlet	29	\$1,976.25

Note: See below for optional -PD and -RS grate pricing

ANSI A112.1.1M Point Drain Special Duty Load Rated - Over 10,000 Lbs.

FUNCTION:

Used in industrial, commercial, kitchen and other hygienic areas. Type 316 stainless steel construction provides for ease of cleaning, maintenance and sanitary installation. All grate openings are polished to a smooth Adjustable top assembly for easier installation. Deep sump ideal for installations that require a sediment bucket to receive debris. Adjustable top assembly for easier installation.



Optional -90 side outlet
(with non-adjustable top)

MODEL	A	B
P3104-90	6" [152]	4" No-Hub
P3106-90	8" [203]	6" No-Hub

OPTIONAL VARIATIONS

VARIATION	DESCRIPTION	LIST PRICE (ADD)
-6	Vandal Proof	\$448.50
-7	1/2" Trap Seal Primer connection	\$99.00
-7MG	MI-GARD Trap Seal Protection device (4" or 6")	\$99.00
-90	No Hub side outlet connection (specify 4" or 6")	\$116.00
-100	10" Sump Depth	\$99.00
-150	1/2 Grate	No Add
-175	3/4 Grate	No Add
-BW	Butt weld outlet connection (4", 6" or 8")	No Add
-C	Membrane Clamp (includes anchor flange)	\$1043.00
-NS	Anti-slip grate	\$110.00
-PD	1/2" thick, special duty solid cover with perimeter drain gap	\$296.00
-RS	1/2" thick, special duty, round slotted grate with finger holes	\$296.00
-T	Threaded outlet	\$576.50

CALIFORNIA PROPOSITION 65 WARNING. This product contains chemicals known to the State of California to cause cancer and birth defects or other reproductive harm.

Visit www.mifab.com for the most recent product information. Design and dimensions are subject to modification. Prices do not include applicable taxes.

Toll Free: 1-800-465-2736, Fax: 1-773-341-3049
sales@mifab.com Canada Toll Free: 1-800-387-3880

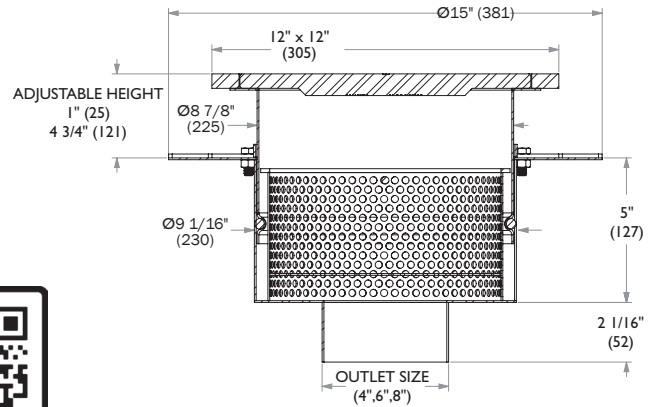
MIFAB®, Inc., 1321 West 119th Street, Chicago, Illinois 60643-5109, USA
All sales subject to MIFAB®'s Terms and Warranties. Please refer to page 53.



Special duty round slotted grate with finger holes (-RS)
(Grate part # - P3230-S-PG-RS)



SCAN ME



Special duty solid cover with perimeter drain gap (-PD)
(Grate part # - P3230-S-PG-PD)

SPECIFICATION:

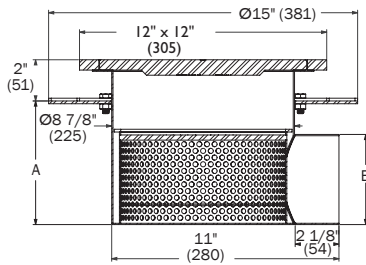
MIFAB® Series P3100-S, 12" x 12" square, adjustable depth floor drain manufactured out of 16 gauge, Type 316 stainless steel with anchor flange and slotted special duty stainless steel grate with bead blasted finish and sediment bucket. Grate free area of 22 square inches. Bottom outlets are available in 4", 6" or 8" no hub outlet connections and fabricated as part of the floor drain.

FUNCTION:

Used in industrial, commercial, kitchen and other hygienic areas. Type 316 stainless steel construction provides for ease of cleaning, maintenance and sanitary installation. All grate openings are polished to a smooth finish. Deep sump ideal for installations that require a sediment bucket to receive debris. Adjustable top assembly for easier installation.



Optional -90 side outlet
(with non-adjustable top)



MODEL	A	B
P3104-S-90	6" [152]	4" No-Hub
P3106-S-90	8" [203]	6" No-Hub

MODEL NUMBER	DESCRIPTION	WEIGHT Lbs.	LIST PRICE
P3104-S	12" x 12" square, adjustable depth, Type 316 Stainless Steel Fabricated Floor Drain and Sediment Bucket, (16 Gauge Body and special duty slotted grate with 4" No Hub outlet).	33	\$1,821.75
P3106-S P3108-S	6" or 8" No Hub Outlet	33	\$1,976.25

Note: See below for optional -PD and -RS grate pricing

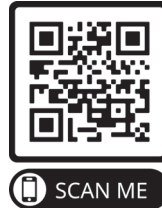
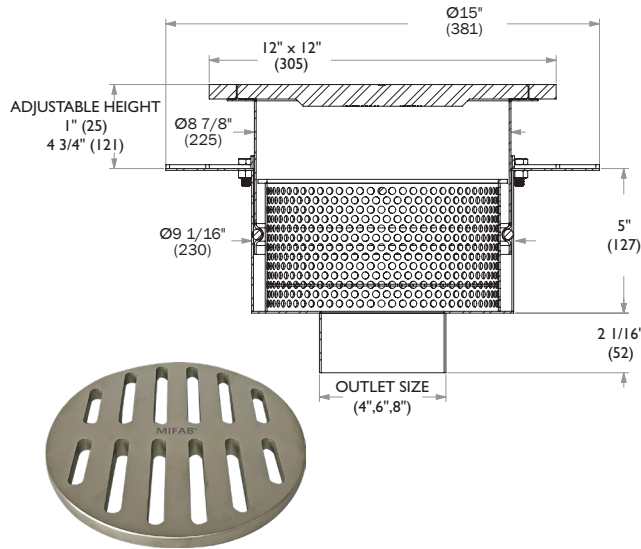
ANSI A112.21.1M Point Drain Special Duty Load Rated - Over 10,000 Lbs.

OPTIONAL VARIATIONS

LIST PRICE (ADD)

-6	Vandal Proof	\$448.50
-7	1/2" Trap Seal Primer connection	\$99.00
-7MG	MI-GARD Trap Seal Protection device (4" or 6")	\$99.00
-90	No Hub side outlet connection (specify 4" or 6")	\$116.00
-150	1/2 Grate	No Add
-175	3/4 Grate	No Add
-BW	Butt weld outlet connection (4", 6" or 8")	No Add
-C	Membrane Clamp (includes anchor flange)	\$1043.00
-NS	Anti-slip grate	\$110.00
-PD	1/2" thick, special duty solid cover with perimeter drain gap	\$296.00
-RS	1/2" thick, special duty, round slotted grate with finger holes	\$296.00
-T	Threaded outlet	\$576.50

CALIFORNIA PROPOSITION 65 WARNING. This product contains chemicals known to the State of California to cause cancer and birth defects or other reproductive harm.



Special duty slotted grate (-LS)
(Grate part # - P3230-S-PG-LS)

Special duty round slotted grate with finger holes (-RS)
(Grate part # - P3230-S-PG-RS)

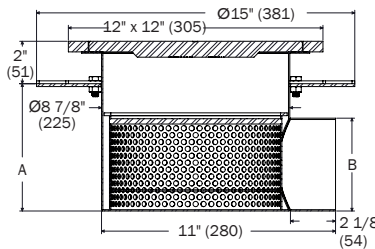
SPECIFICATION:

MIFAB® Series P3120, 12" x 12" heavy duty floor drain with solid, perimeter drainage cover, bead blasted finish and sediment bucket. Body is manufactured out of 12 gauge, Type 316 stainless steel. Solid cover is a 1/2" thick Type 316 stainless steel, special duty load rated. Grate free area of 8 square inches. Bottom outlets are available in (4", 6" or 8") no hub outlet connections and fabricated as part of the floor drain.

FUNCTION:

Used in industrial, commercial, kitchen and other hygienic areas such as dairies. Type 316 stainless steel construction provides for ease of cleaning, maintenance and sanitary installation. All grate openings are polished to a smooth finish. Adjustable top assembly for easier installation.

MODEL NUMBER	DESCRIPTION	WEIGHT Lbs.	LIST PRICE
P3124	12" x 12", Type 316 Stainless Steel Fabricated Floor Drain and Sediment Bucket, with special duty Solid Cover and Perimeter Drainage, 12 Gauge Body with 4" No Hub outlet.	34	\$2,206.00
P3126 P3128	6" or 8" No Hub Outlet	34	\$2,397.25



Optional -90 side outlet
(with non-adjustable top)

Note: See below for optional -LS and -RS grate pricing

ANSI A112.21.1M Point Drain Special Duty Load Rated - Over 10,000 Lbs.

MODEL	A	B
P3124-90	4" [152]	4" NO-HUB
P3126-90	6" [203]	6" NO-HUB

OPTIONAL VARIATIONS

OPTIONAL VARIATION	LIST PRICE (ADD)
-6 Vandal Proof	\$448.50
-7 1/2" Trap Seal Primer connection	\$99.00
-7MG MI-GARD Trap Seal Protection device (4" or 6")	\$99.00
-90 No Hub side outlet connection (specify 4" or 6")	\$116.00
-60 6" Deep Sump	No Add
-90 No Hub side outlet connection (specify 4" or 6")	\$116.00
-10D 10" Deep Sump	\$99.00
-12D 12" Deep Sump	\$277.25
-150 1/2 Grate	No Add
-175 3/4 Grate	No Add
-BW Butt weld outlet connection (4", 6" or 8")	No Add
-C Membrane Clamp (includes anchor flange)	\$1043.00
-LS 1/2" thick, special duty slotted grate	No Add
-NS Anti-slip grate	\$110.00
-P Push on outlet (2", 3", 4" or 6")	No Add
-RS 1/2" thick, special duty round slotted grate with finger holes	No add
-T Threaded outlet (2", 3", 4 or 6")	\$576.50

CALIFORNIA PROPOSITION 65 WARNING. This product contains chemicals known to the State of California to cause cancer and birth defects or other reproductive harm.

Visit www.mifab.com for the most recent product information. Design and dimensions are subject to modification. Prices do not include applicable taxes.

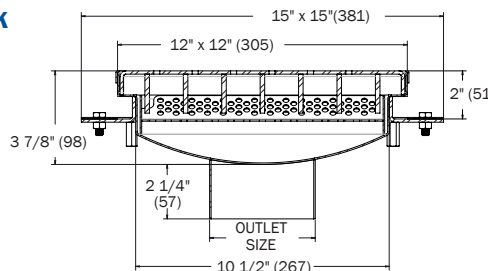
Toll Free: 1-800-465-2736, Fax: 1-773-341-3049
sales@mifab.com Canada Toll Free: 1-800-387-3880

MIFAB®, Inc., 1321 West 119th Street, Chicago, Illinois 60643-5109, USA
All sales subject to MIFAB®'s Terms and Warranties. Please refer to page 53.

P4120-4D - 12" x 12" x 4" Stainless Steel Fabricated Floor Sink



SCAN ME



SPECIFICATION:

MIFAB® Series P4120-4D, 12" x 12" x 4" deep floor sink manufactured out of 16 gauge, Type 304 stainless steel with anchor flange, sediment bucket, and heavy duty stainless steel grate with bead blasted finish. Grate free area of 51 square inches. Bottom outlets are available in 3" or 4" no hub outlet connections and fabricated as part of the floor sink.

FUNCTION:

Used in industrial, commercial, kitchen and other hygienic areas. Type 304 stainless steel construction provides for ease of cleaning, maintenance and sanitary installation. All grate openings are polished to a smooth finish.

MODEL NUMBER	DESCRIPTION	WEIGHT Lbs.	LIST PRICE
P4123-4D	12" x 12" x 4" Deep, Type 304 Stainless Steel Fabricated Floor Sink, Sediment Bucket,	27	\$2,646.00
P4124-4D	16 Gauge body and heavy duty load rated grate with 3" or 4" No Hub outlet.		
P4126-4D	6" No Hub Outlet	27	\$2,884.50

Note: Bodies and grates are ordered and shipped separately. Select Suffix -22 and deduct \$500.00 from the above complete drain prices for the body only.

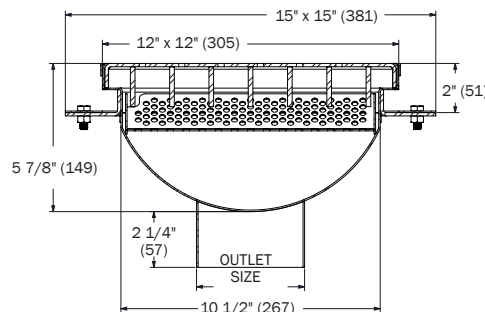
ANSI A112.21.1M Point Drain Heavy Duty Load Rated - 5,000 - 7,499 Lbs.

P4120-6D

12" x 12" x 6" Stainless Steel Fabricated Floor Sink



SCAN ME



SPECIFICATION:

MIFAB® Series P4120-6D, 12" x 12" x 6" deep floor sink manufactured out of 16 gauge, Type 304 stainless steel with anchor flange, sediment bucket, and heavy duty stainless steel grate with bead blasted finish. Grate free area of 51 square inches. Bottom outlets are available in 3" or 4" no hub outlet connections and fabricated as part of the floor sink.

FUNCTION:

Used in industrial, commercial, kitchen and other hygienic areas. Type 304 stainless steel construction provides for ease of cleaning, maintenance and sanitary installation. All grate openings are polished to a smooth finish.

MODEL NUMBER	DESCRIPTION	WEIGHT Lbs.	LIST PRICE
P4123-6D	12" x 12" x 6" Deep, Type 304 Stainless Steel Fabricated Floor Sink, Sediment Bucket,	28	\$2,757.50
P4124-6D	16 Gauge body and heavy duty load rated grate with 3" or 4" No Hub outlet.		
P4126-6D	6" No Hub Outlet	28	\$2,995.75

Note: Bodies and grates are ordered and shipped separately. Select Suffix -22 and deduct \$525.00 from the above complete drain prices for the body only.

ANSI A112.21.1M Point Drain Heavy Duty Load Rated - 5,000 - 7,499 Lbs.

OPTIONAL VARIATIONS

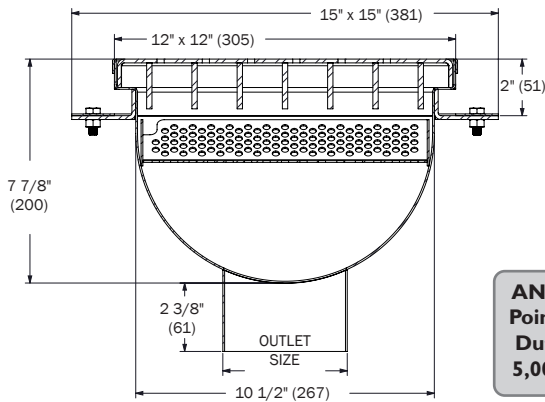
- 6 Vandal Proof
- 7 1/2" Trap Seal Primer connection
- 7MG MI-GARD Trap Seal Protection device (3" or 4")
- 22 Less grate
- 29 Type 316 Stainless Steel
- 150 1/2 Grate
- 175 3/4 Grate
- BW Butt weld outlet connection (3" or 4")
- C Membrane Clamp (includes anchor flange)
- F4 4" Round Type 304 Stainless Steel funnel
- G 4" x 9" Oval Type 304 Stainless Steel funnel
- NS Anti-slip grate
- P Push on outlet (2", 3", 4" or 6")
- T Threaded outlet (2", 3", 4 or 6")

LIST PRICE (ADD), TYPE 304 S.S.

- \$448.50
- \$184.00
- \$99.00
- Deduct \$525.00
- Contact MIFAB
- No Add
- No Add
- No Add
- \$762.00
- \$261.00
- \$499.00
- \$110.00
- No Add
- \$576.50

CALIFORNIA PROPOSITION 65 WARNING. This product contains chemicals known to the State of California to cause cancer and birth defects or other reproductive harm.

P4120-8D - 12" x 12" x 8" Stainless Steel Fabricated Floor Sink



SCAN ME



**ANSI A112.21.1M
Point Drain Heavy
Duty Load Rated
5,000 - 7,499 Lbs.**

SPECIFICATION:

MIFAB® Series P4120-8D, 16" x 12" x 8" deep floor sink manufactured out of 16 gauge, Type 304 stainless steel with anchor flange, sediment bucket, and heavy duty stainless steel grate with bead blasted finish. Grate free area of 51 square inches. Bottom outlets are available in 3" or 4" no hub outlet connections and fabricated as part of the floor sink.

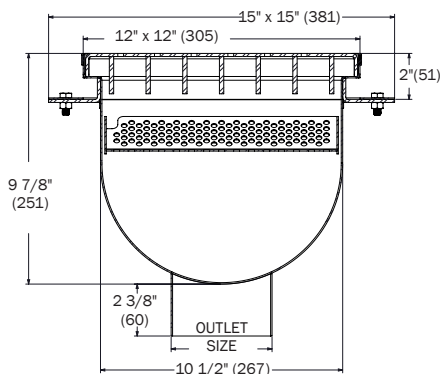
FUNCTION:

Used in industrial, commercial, kitchen and other hygienic areas. Type 304 stainless steel construction provides for ease of cleaning, maintenance and sanitary installation. All grate openings are polished to a smooth finish.

MODEL NUMBER	DESCRIPTION	WEIGHT Lbs.	LIST PRICE
P4123-8D	12" x 12" x 8" Deep, Type 304 Stainless Steel Fabricated Floor Sink, Sediment Bucket, 16 Gauge body and heavy duty load rated grate with 3" or 4" No Hub outlet.	29	\$2,887.50
P4126-8D	6" No Hub Outlet	29	\$3,138.50

Note: Bodies and grates are ordered and shipped separately.
Select Suffix -22 and deduct \$500.00 from the above complete drain prices for the body only.

P4120-10D 12" x 12" x 10" Stainless Steel Fabricated Floor Sink



SCAN ME



**ANSI A112.21.1M
Point Drain Heavy
Duty Load Rated -
Over 10,000 Lbs.**

SPECIFICATION:

MIFAB® Series P4120-10D, 12" x 12" x 10" deep floor sink manufactured out of 16 gauge, Type 304 stainless steel with anchor flange, sediment bucket, and heavy duty stainless steel grate with bead blasted finish. Grate free area of 51 square inches. Bottom outlets are available in 3" or 4" no hub outlet connections and fabricated as part of the floor sink.

FUNCTION:

Used in industrial, commercial, kitchen and other hygienic areas. Type 304 stainless steel construction provides for ease of cleaning, maintenance and sanitary installation. All grate openings are polished to a smooth finish.

MODEL NUMBER	DESCRIPTION	WEIGHT Lbs.	LIST PRICE
P4123-10D	12" x 12" x 10" Deep, Type 304 Stainless Steel Fabricated Floor Sink, Sediment Bucket, 16 Gauge body and heavy duty load rated grate with 3" or 4" No Hub outlet.	30	\$3,128.00
P4126-10D	6" No Hub Outlet	30	\$3,398.00

Note: Bodies and grates are ordered and shipped separately.
Select Suffix -22 and deduct \$500.00 from the above complete drain prices for the body only.

OPTIONAL VARIATIONS

-6	Vandal Proof	
-7	1/2" Trap Seal Primer connection	
-7MG	MI-GARD Trap Seal Protection device (3", 4" or 6")	
-22	Less grate	
-29	Type 316 Stainless Steel	
-150	1/2 Grate	
-175	3/4 Grate	
-BW	Butt weld outlet connection (3" or 4")	
-C	Membrane Clamp (includes anchor flange)	
-F4	4" Round Type 304 Stainless Steel funnel	
-G	4" x 9" Oval Type 304 Stainless Steel funnel	
-NS	Anti-slip grate	
-P	Push on outlet (2", 3", 4" or 6")	
-T	Threaded outlet (2", 3", 4" or 6")	

LIST PRICE (ADD), TYPE 304 S.S.

	\$448.50
	\$184.00
	\$99.00
	Deduct \$525.00
	Contact MIFAB
	No Add
	No Add
	No Add
	\$762.00
	\$261.00
	\$499.00
	\$110.00
	No Add
	\$576.50

CALIFORNIA PROPOSITION 65 WARNING. This product contains chemicals known to the State of California to cause cancer and birth defects or other reproductive harm.

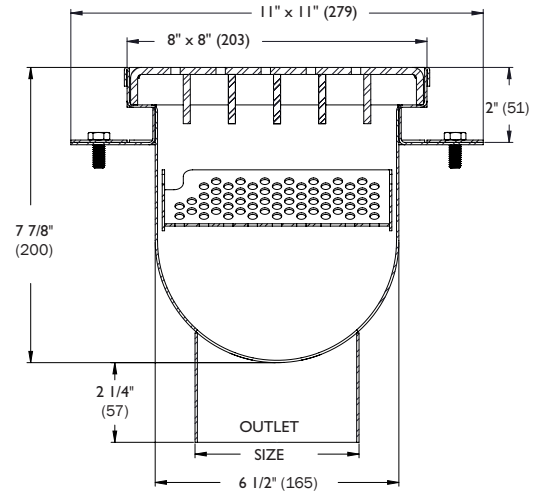
Visit www.mifab.com for the most recent product information. Design and dimensions are subject to modification. Prices do not include applicable taxes.

Toll Free: 1-800-465-2736, Fax: 1-773-341-3049
sales@mifab.com Canada Toll Free: 1-800-387-3880

MIFAB®, Inc., 1321 West 119th Street, Chicago, Illinois 60643-5109, USA
All sales subject to MIFAB®'s Terms and Warranties. Please refer to page 53.



SCAN ME



SPECIFICATION:

MIFAB® Series P4080, 8" x 8" x 8" deep floor sink manufactured out of 16 gauge, Type 304 stainless steel with anchor flange and slotted heavy duty stainless steel grate with bead blasted finish and sediment bucket. Grate free area of 26 square inches. Bottom outlets are available in 3" or 4" no hub outlet connections and fabricated as part of the floor sink.

FUNCTION:

Used in industrial, commercial, kitchen and other hygienic areas. Type 304 stainless steel construction provides for ease of cleaning, maintenance and sanitary installation. All grate openings are polished to a smooth finish. Deep sump ideal for installations that require a sediment bucket to receive debris.

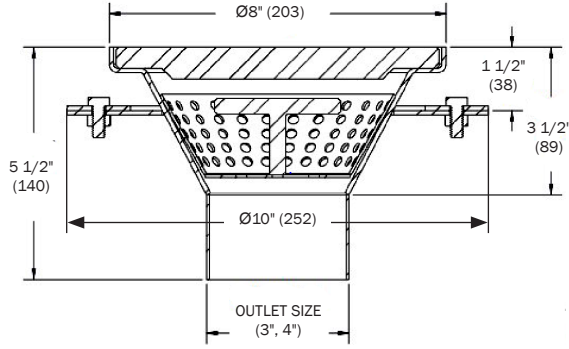
MODEL NUMBER	DESCRIPTION	WEIGHT Lbs.	LIST PRICE
P4083 P4084	8" x 8" x 8" Deep, Type 304 Stainless Steel Fabricated Floor Sink and Sediment Bucket, 16 Gauge body and heavy duty load rated grate with 3" or 4" No Hub outlet.	17	\$1,270.50

ANSI A112.1IM Point Drain Heavy Duty Load Rated 5,000 - 7,499 Lbs.

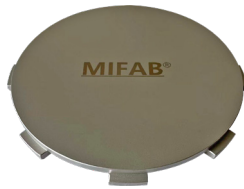
OPTIONAL VARIATIONS

		LIST PRICE (ADD)
-6	Vandal Proof	\$448.50
-7	1/2" Trap Seal Primer connection	\$184.00
-7MG	MI-GARD Trap Seal Protection device (3" or 4")	\$99.00
-29	Type 316 Stainless Steel	Contact MIFAB
-150	1/2 Grate	No Add
-175	3/4 Grate	No Add
-BW	Butt weld outlet connection (3" or 4")	No Add
-C	Membrane Clamp (includes anchor flange)	\$762.00
-F4	4" Round Type 304 Stainless Steel funnel	\$261.00
-G	4" x 9" Oval Type 304 Stainless Steel funnel	\$499.00
-NS	Anti-slip grate	\$110.00
-T	Threaded outlet	\$576.50

CALIFORNIA PROPOSITION 65 WARNING. This product contains chemicals known to the State of California to cause cancer and birth defects or other reproductive harm.



SCAN ME



Special duty solid cover with perimeter drain gap (-PD)
(Grate part # - P3210-PG-PD)



Special duty round slotted grate with finger holes (-RS)
(Grate part # - P3210-PG-RS)

SPECIFICATION:

MIFAB® P3210, 8" diameter, 3 1/2" deep, 12 gauge Type 316 stainless steel area drain with funnel type body design without any inside seams or welds to eliminate hidden areas for bacteria growth. Standard with loose set special duty round slotted grate (1/2" thick plate) with finger holes, 9/16" thick top frame, sediment bucket and bead blasted finish. The P3210 meets the U.S. FDA Standards for corrosion resistance. Manufactured with either 3" or 4" no hub outlet connections.

FUNCTION:

Used in industrial, commercial, kitchen and other hygienic areas. Type 316 stainless steel construction provides for ease of cleaning, maintenance and sanitary installation. Heavy duty 12 gauge body construction and 1/2" thick grates are ideal for industrial / food processing applications. All grate openings are polished to a smooth finish. Funnel design ensures efficient drainage of waste water with no sharp edges to capture bacteria / debris.

MODEL NUMBER	DESCRIPTION	WEIGHT Lbs.	LIST PRICE
P3213 P3214	8" Round, Type 316 stainless Steel Fabricated Funnel Drain, 12 Gauge Body, sediment bucket and special duty slotted grate with 3" or 4" No Hub outlet.	12	\$944.00

ANSI A112.21.1M Point Drain Special Duty Load Rated - Over 10,000 Lbs.

Note: See below for optional -PD and -RS grate pricing

OPTIONAL VARIATIONS

LIST PRICE (ADD)

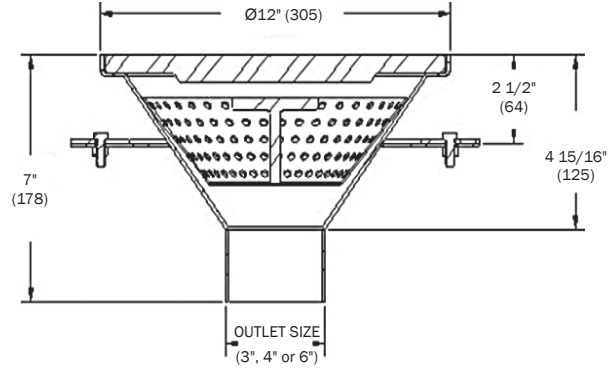
-6	Vandal Proof	\$448.50
-7	1/2" Trap Seal Primer connection	\$99.00
-7MG	MI-GARD Trap Seal Protection device (3" or 4")	\$99.00
-150	1/2 Grate	No Add
-175	3/4 Grate	No Add
-BW	Butt weld outlet connection (3" or 4")	No Add
-C	Membrane Clamp (includes anchor flange)	\$290.00
-NS	Anti-slip grate	\$110.00
-PD	1/2" thick, special duty solid cover with perimeter drain gap	\$295.00
-RS	1/2" thick, special duty, round slotted grate with finger holes	\$295.00
-T	Threaded outlet	\$576.50

CALIFORNIA PROPOSITION 65 WARNING. This product contains chemicals known to the State of California to cause cancer and birth defects or other reproductive harm.

Visit www.mifab.com for the most recent product information. Design and dimensions are subject to modification. Prices do not include applicable taxes.

Toll Free: 1-800-465-2736, Fax: 1-773-341-3049
sales@mifab.com Canada Toll Free: 1-800-387-3880

MIFAB®, Inc., 1321 West 119th Street, Chicago, Illinois 60643-5109, USA
All sales subject to MIFAB®'s Terms and Warranties. Please refer to page 53.



SCAN ME



Special duty round slotted grate with finger holes (-RS)
(Grate part # - P3230-PG-RS)

Special duty solid cover with perimeter drain gap (-PD)
(Grate part # - P3230-PG-RS)

SPECIFICATION:

MIFAB® P3230, 12" diameter, 5" deep, 12 gauge Type 316 stainless steel area drain with funnel type body design without any inside seams or welds to eliminate hidden areas for bacteria growth. Standard with loose set special duty round slotted grate (1/2" thick plate) with finger holes, 9/16" thick top frame and bead blasted finish and sediment bucket. The P3230 meets the U.S. FDA Standards for corrosion resistance. Manufactured with either 3", 4" or 6" no hub outlet connections.

FUNCTION:

Used in industrial, commercial, kitchen and other hygienic areas. Type 316 stainless steel construction provides for ease of cleaning, maintenance and sanitary installation. Heavy duty 12 gauge body construction and 1/2" thick grates are ideal for industrial / food processing applications. All grate openings are polished to a smooth finish. Funnel design ensures efficient drainage of waste water with no sharp edges to capture bacteria / debris.

MODEL NUMBER	DESCRIPTION	WEIGHT Lbs.	LIST PRICE
P3233 P3234	12" Round, Type 316 stainless Steel Fabricated Funnel Drain, 12 Gauge Body, sediment bucket and special duty slotted grate with 3" or 4" No Hub outlet.	26	\$1,822.00
P3236	6" No Hub Outlet	26	\$1,976.00

**ANSI A112.21.1M Point Drain Special Duty
Load Rated - Over 10,000 Lbs.**

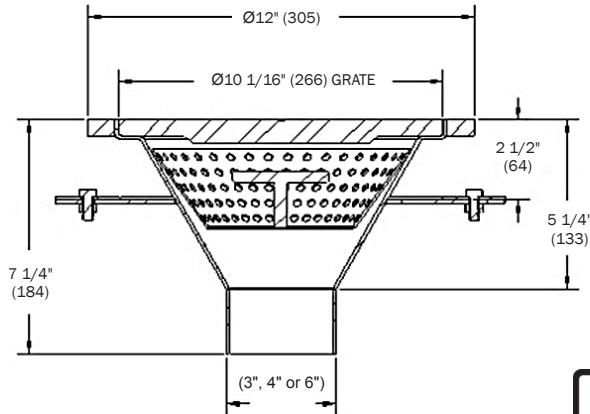
Note: See below for optional -PD and -RS grate pricing

OPTIONAL VARIATIONS

LIST PRICE (ADD)

-6	Vandal Proof	\$448.50
-7	1/2" Trap Seal Primer connection	\$99.00
-7MG	MI-GARD Trap Seal Protection device (3", 4" or 6")	\$99.00
-150	1/2" Grate	No Add
-175	3/4" Grate	No Add
-BW	Butt weld outlet connection (3", 4" or 6")	No Add
-C	Membrane Clamp (includes anchor flange)	\$1042.00
-PD	1/2" thick, special duty solid cover with perimeter drain gap	\$295.00
-RS	1/2" thick, special duty, round slotted grate with finger holes	\$295.00
-NS	Anti-slip grate	\$110.00
-T	Threaded outlet	\$576.50

CALIFORNIA PROPOSITION 65 WARNING. This product contains chemicals known to the State of California to cause cancer and birth defects or other reproductive harm.



Special duty solid cover with perimeter drain gap (-PD)
(Grate part # - P3230-S-PG-PD)



SCAN ME



Special duty round slotted grate with finger holes (-RS)
(Grate part # - P3230-S-PG-RS)

SPECIFICATION:

MIFAB® P3230-S, 12" square, 5 1/4" deep, 12 gauge Type 316 stainless steel area drain with funnel type body design without any inside seams or welds to eliminate hidden areas for bacteria growth. Standard with loose set special duty round slotted grate (1/2" thick plate) with finger holes, 9/16" thick top frame, and bead blasted finish and sediment bucket. The P3230-S meets the U.S. FDA Standards for corrosion resistance. Manufactured with either 3", 4" or 6" no hub outlet connections.

FUNCTION:

Used in industrial, commercial, kitchen and other hygienic areas. Type 316 stainless steel construction provides for ease of cleaning, maintenance and sanitary installation. Heavy duty 12 gauge body construction and 1/2" thick grates are ideal for industrial / food processing applications. All grate openings are polished to a smooth finish. Funnel design ensures efficient drainage of waste water with no sharp edges to capture bacteria / debris.

MODEL NUMBER	DESCRIPTION	WEIGHT Lbs.	LIST PRICE
P3233-S P3234-S	12" Square, Type 316 stainless Steel Fabricated Funnel Drain, 12 Gauge Body, sediment bucket and special duty slotted grate with 3" or 4" No Hub outlet.	30	\$1,822.00
P3236-S	6" No Hub Outlet	30	\$1,976.00

ANSI A112.21.1M Point Drain Special Duty Load Rated - Over 10,000 Lbs.

Note: See below for optional -PD and -RS grate pricing

OPTIONAL VARIATIONS

LIST PRICE (ADD)

-6	Vandal Proof	\$367.50
-7	1/2" Trap Seal Primer connection	\$100.00
-7MG	MI-GARD Trap Seal Protection device (3", 4" or 6")	\$100.00
-150	1/2 Grate	No Add
-175	3/4 Grate	No Add
-BW	Butt weld outlet connection (3", 4" or 6")	No Add
-C	Membrane Clamp (includes anchor flange)	\$1042.00
-NS	Anti-slip grate	\$110.00
-PD	1/2" thick, special duty solid cover with perimeter drain gap	\$295.00
-RS	1/2" thick, special duty, round slotted grate with finger holes	\$295.00
-T	Threaded outlet	\$576.50

CALIFORNIA PROPOSITION 65 WARNING. This product contains chemicals known to the State of California to cause cancer and birth defects or other reproductive harm.

Visit www.mifab.com for the most recent product information. Design and dimensions are subject to modification. Prices do not include applicable taxes.

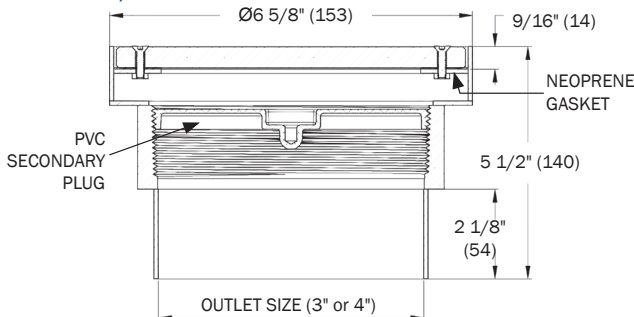
Toll Free: 1-800-465-2736, Fax: 1-773-341-3049
sales@mifab.com Canada Toll Free: 1-800-387-3880

MIFAB®, Inc., 1321 West 119th Street, Chicago, Illinois 60643-5109, USA
All sales subject to MIFAB®'s Terms and Warranties. Please refer to page 53.

P7060 - 6" Round, Type 316 Stainless Steel Fabricated, Industrial Floor Cleanout



SCAN ME



SPECIFICATION:

MIFAB® P7060, 6 5/8" diameter, 12 gauge Type 316 stainless steel, round industrial sanitary floor cleanout with special duty load rated gasketed cover (1/2" thick plate) PVC secondary plug and bead blasted finish. Cleanout meets the U.S. FDA Standards for corrosion resistance. Manufactured with either 3" or 4" no hub outlet connections.

MODEL NUMBER	DESCRIPTION ⁴⁸	WEIGHT Lbs.	LIST PRICE
P7063 P7064	6 5/8" round, 12 gauge Type 316 stainless steel floor cleanout with special duty load rated gasketed cover with 3" or 4" No Hub outlet.	10	\$1,134.00

ANSI A112.21.1M Special Duty Load Rated - Over 10,000 Lbs.

OPTIONAL VARIATIONS

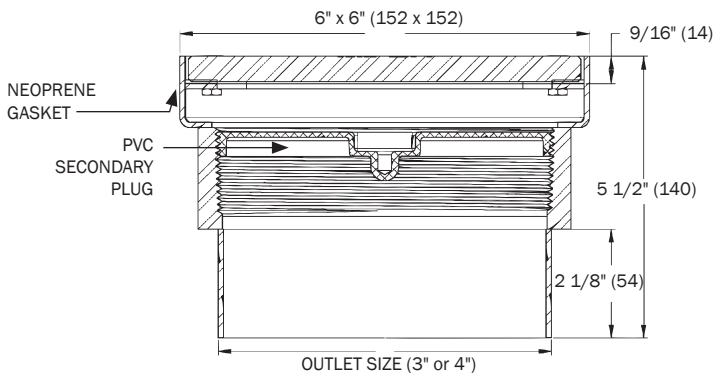
	LIST PRICE (ADD)
-BW Buttweld outlet connection (3" or 4")	No Add
-NS Anti-slip grate	\$110.00
-SC O-ring seal cover with no screws (remove with suction cup)	\$166.00
-T Threaded outlet	\$576.50
-34B Secondary brass plug	\$110.00
-34SS Secondary Type 304 stainless steel plug	\$138.00

P7060-S

6" Square, Type 316 Stainless Steel Fabricated, Industrial Floor Cleanout



SCAN ME



SPECIFICATION:

MIFAB® P7060-S, 6" square, 12 gauge Type 316 stainless steel, industrial sanitary floor cleanout with special duty load rated gasketed cover (1/2" thick plate) PVC secondary plug and bead blasted finish. Cleanout meets the U.S. FDA Standards for corrosion resistance. Manufactured with either 3" or 4" no hub outlet connections.

MODEL NUMBER	DESCRIPTION ⁴⁸	WEIGHT Lbs.	LIST PRICE
P7063-S P7064-S	6" square, 12 gauge Type 316 stainless steel floor cleanout with special duty load rated gasketed cover with 3" or 4" No Hub outlet.	10	\$1,345.00

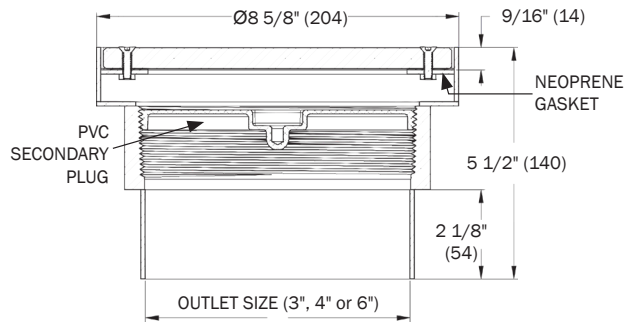
ANSI A112.21.1M Special Duty Load Rated - Over 10,000 Lbs.

OPTIONAL VARIATIONS

	LIST PRICE (ADD)
-BW Buttweld outlet connection (3" or 4")	No Add
-NS Anti-slip grate	\$110.00
-SC O-ring seal cover with no screws (remove with suction cup)	\$166.00
-T Threaded outlet	\$576.50
-34B Secondary brass plug	\$110.00
-34SS Secondary Type 304 stainless steel plug	\$138.00

CALIFORNIA PROPOSITION 65 WARNING. This product contains chemicals known to the State of California to cause cancer and birth defects or other reproductive harm.

P7080 - 8" Round, Type 316 Stainless Steel Fabricated, Industrial Floor Cleanout



SCAN ME



SPECIFICATION:

MIFAB® P7080, 8 5/8" diameter, 12 gauge Type 316 stainless steel, round industrial sanitary floor cleanout with special duty load rated gasketed cover (1/2" thick plate) PVC secondary plug and bead blasted finish. Cleanout meets the U.S. FDA Standards for corrosion resistance. Manufactured with either 3", 4" or 6" no hub outlet connections.

MODEL NUMBER	DESCRIPTION	WEIGHT Lbs.	LIST PRICE
P7083	8 5/8" round, 12 gauge Type 316 stainless steel floor cleanout with special duty load rated gasketed cover with 3", 4" or 6" No Hub outlet.	13	\$2,015.00
P7084			
P7086			

ANSI A112.21.1M Special Duty Load Rated - Over 10,000 Lbs.

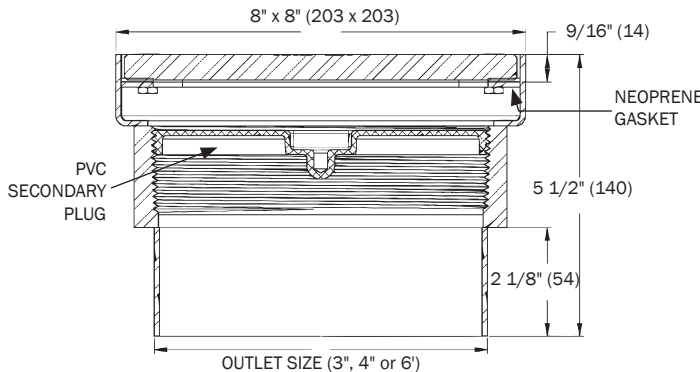
OPTIONAL VARIATIONS

LIST PRICE (ADD)

-BW	Butt weld outlet connection (3" or 4")	No Add
-NS	Anti-slip grate	\$110.00
-SC	O-ring seal cover with no screws (remove with suction cup)	\$166.00
-T	Threaded outlet	\$576.50
-34B	Secondary brass plug	\$110.00
-34SS	Secondary Type 304 stainless steel plug	\$138.00

P7080-S

8" Square, Type 316 Stainless Steel Fabricated, Industrial Floor Cleanout



SCAN ME



SPECIFICATION:

MIFAB® P7080-S, 8" square, 12 gauge Type 316 stainless steel, industrial sanitary floor cleanout with special duty load rated gasketed cover (1/2" thick plate) PVC secondary plug and bead blasted finish. Cleanout meets the U.S. FDA Standards for corrosion resistance. Manufactured with either 3", 4" or 6" no hub outlet connections.

MODEL NUMBER	DESCRIPTION	WEIGHT Lbs.	LIST PRICE
P7083-S	8" square, 12 gauge Type 316 stainless steel floor cleanout with special duty load rated gasketed cover with 3", 4" or 6" No Hub outlet.	16	\$2,206.00
P7084-S			
P7086-S			

ANSI A112.21.1M Special Duty Load Rated - Over 10,000 Lbs.

OPTIONAL VARIATIONS

LIST PRICE (ADD)

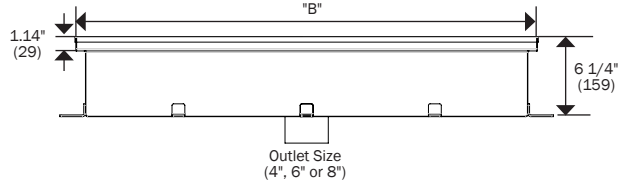
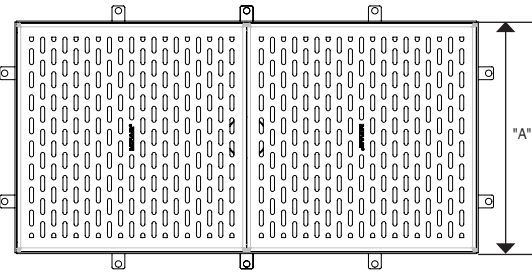
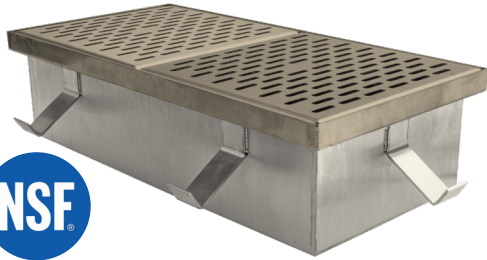
-BW	Butt weld outlet connection (3" or 4")	No Add
-NS	Anti-slip grate	\$110.00
-SC	O-ring seal cover with no screws (remove with suction cup)	\$166.00
-T	Threaded outlet	\$576.50
-34B	Secondary brass plug	\$110.00
-34SS	Secondary Type 304 stainless steel plug	\$138.00

CALIFORNIA PROPOSITION 65 WARNING. This product contains chemicals known to the State of California to cause cancer and birth defects or other reproductive harm.

Visit www.mifab.com for the most recent product information. Design and dimensions are subject to modification. Prices do not include applicable taxes.

Toll Free: 1-800-465-2736, Fax: 1-773-341-3049
sales@mifab.com Canada Toll Free: 1-800-387-3880

MIFAB®, Inc., 1321 West 119th Street, Chicago, Illinois 60643-5109, USA
All sales subject to MIFAB®'s Terms and Warranties. Please refer to page 53.



SPECIFICATION:

MIFAB® Series P5010, kettle drain manufactured out of 16 gauge, Type 304 stainless steel with anchor tabs and slotted Load Class "A" Light duty stainless steel loose set full grate with bead blasted finish. Bottom outlets are centered and available in 4", 6" or 8" no hub outlet connections and fabricated as part of the drain. Also available with an optional anchor flange (Suffix -FL) and B, or C load rated grates.

FUNCTION:

Used in kitchen, restaurant and food processing areas for placement under or within close proximity to the kettles that they will serve. A variety of grate designs are available for the various applications or locations in the cooking area. Type 304 stainless steel construction provides for ease of cleaning, maintenance and sanitary installation. All grate openings are polished to a smooth finish.

Specifying engineer is responsible for concrete encasement and reinforcing based upon application and local codes.

ANSI A112.1.1M Point Drain Light Duty Load Rated - up to 2,000 Lbs.

Note: Every order of this product is a special / custom order fabrication. This product is non-returnable and non-cancellable.

- FSSC Type 304 Stainless Steel Slotted Grate, Load Class C
- FSPC Type 304 Stainless Steel Perforated Grate, Load Class C

The P5000-LCB is NSF certified with a load classification of Medium Duty.

Note: See below chart for pricing.

MODEL NUMBER	SIZE "A" x "B"	LIST PRICE, TYPE 304 S.S.	Add For: -FSSC, -FSPC
P5001	12" x 24"	\$5,040.00	\$651.00
P5002	12" x 30"	\$6,737.00	\$813.00
P5003	12" x 36"	\$6,737.00	\$977.00
P5004	12" x 48"	\$6,943.00	\$1,297.00
P5004-60	12" x 60"	\$8,641.00	\$1,620.00
P5004-72	12" x 72"	\$10,292.00	\$1,943.00
P5004-84	12" x 84"	\$11,970.00	\$2,267.00
P5004-96	12" x 96"	\$12,929.00	\$2,591.00
P5004-108	12" x 108"	\$14,901.00	\$2,913.00
P5004-120	12" x 120"	\$14,901.00	\$3,236.00
P5005	18" x 18"	\$7,277.00	\$772.00
P5006	18" x 24"	\$7,544.00	\$802.00
P5007	18" x 30"	\$12,099.00	\$1,003.00
P5008	18" x 36"	\$12,099.00	\$1,201.00
P5009	18" x 48"	\$12,448.00	\$1,496.00
P5009-60	18" x 60"	\$16,438.00	\$2,000.00
P5009-72	18" x 72"	\$18,925.00	\$2,399.00
P5009-84	18" x 84"	\$21,146.00	\$2,798.00

MODEL NUMBER	SIZE "A" x "B"	LIST PRICE, TYPE 304 S.S.	Add For: -FSSC, -FSPC
P5009-96	18" x 96"	\$21,191.00	\$3,199.00
P5009-108	18" x 108"	\$25,916.00	\$3,596.00
P5009-120	18" x 120"	\$25,916.00	\$3,995.00
P5010	24" x 24"	\$11,249.00	\$4,273.00
P5011	24" x 30"	\$11,884.00	\$5,339.00
P5012	24" x 36"	\$11,884.00	\$6,406.00
P5013	24" x 48"	\$15,696.00	\$8,541.00
P5013-60	24" x 60"	\$16,113.00	\$10,678.00
P5013-72	24" x 72"	\$20,264.00	\$12,809.00
P5013-84	24" x 84"	\$24,728.00	\$14,944.00
P5013-96	24" x 96"	\$25,639.00	\$17,077.00
P5013-108	24" x 108"	\$29,451.00	\$19,211.00
P5013-120	24" x 120"	\$32,409.00	\$21,347.00
P5014	30" x 30"	\$11,884.00	\$6,406.00
P5015	30" x 36"	\$13,782.00	\$7,166.00
P5016	30" x 48"	\$15,696.00	\$8,541.00
P5017	36" x 36"	\$15,696.00	\$8,541.00
P5018	36" x 48"	\$16,113.00	\$10,675.00

OPTIONAL ARIATIONS	DESCRIPTION	LIST PRICE (ADD), TYPE 304 S.S.
-C	Membrane Clamp (includes anchor flange) (Two pieces)	\$346.00
-F4	4" Round Stainless Steel Funnel	\$261.00
-FL	Anchor Flange	\$290.00
-NS	Anti-slip grate	\$110.00
-6	Vandal proof grates (center lockdown)	\$449.00
-7	1/2" Trap seal primer connection	\$185.00
-7MG	MI-GARD trap seal protection device (2", 3", 4" or 6")	\$99.00
-20	Bottom outlet strainer (P5000-ST)	\$232.00
-22	Less Grate (P5001 to P5009)	Deduct \$406.00
-22	Less Grate (P5010 to P5018)	Deduct \$695.00
-29	Type 316 Stainless Steel	Contact MIFAB
-90	Specify suffix -2NH, -3NH, -4NH or -6NH after the model # to indicate the side outlet connection size and add suffix -90. E.g. P5001-4NH-90 for a 4" side outlet.	2" - \$116.00 3" - \$128.00 4" - \$139.00 6" - \$151.00
-150	Half Grate	No Add
-175	Three Quarter Grate	No Add

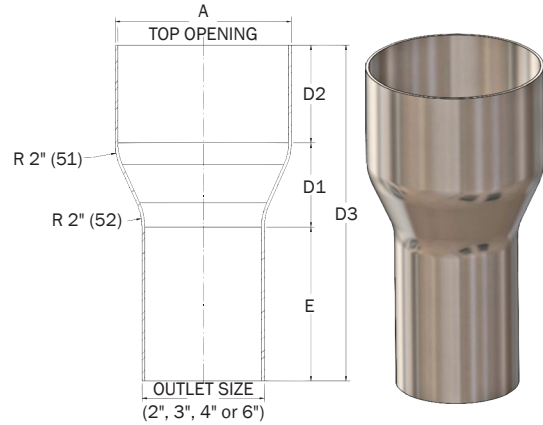
CALIFORNIA PROPOSITION 65 WARNING. This product contains chemicals known to the State of California to cause cancer and birth defects or other reproductive harm.

P8300 - Type 316 Stainless Steel Fabricated Hub Drain

MODEL NUMBER	DESCRIPTION	LIST PRICE
P8302 P8303 P8304	Type 316 stainless steel hub drain, 2", 3" or 4" no hub outlet.	\$577.00
P8306	6" no hub outlet	\$675.00



SCAN ME



SPECIFICATION:

MIFAB® P8300, 12 gauge Type 316 stainless steel hub drain with bead blasted finish. Drain meets the U.S. FDA corrosion resistance requirements. Manufactured with either 2", 3", 4" or 6" no hub outlet connections.

Model Number	No Hub Outlet Connection (F)	Top Opening (A)	D1	D2	D3	E	Weight (lbs.)
P8302	2" (52)	3" (76)	2 1/2" (64)	3" (76)	9" (229)	3 1/2" (89)	2
P8303	3" (76)	4" (102)	3" (76)	3" (76)	10" (254)	4" (102)	4
P8304	4" (102)	6" (152)	3" (76)	3 1/2" (89)	12" (305)	5 1/2" (140)	6
P8306	6" (152)	8" (205)	3" (76)	3 1/2" (89)	12" (305)	5 1/2" (140)	10

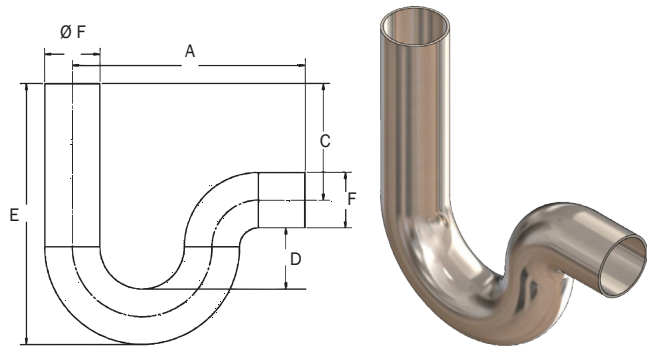
P8500

Type 316 Stainless Steel Fabricated P-Trap

SPECIFICATION:

MIFAB® P8500, 12 gauge Type 316 stainless steel P-trap with bead blasted finish. P-trap meets the U.S. FDA corrosion resistance requirements. Manufactured with either 2", 3", 4", 6", 8" or 10" no hub outlet connections.

MODEL NUMBER	DESCRIPTION	WEIGHT Lbs.	LIST PRICE
P8502	Type 316 stainless steel p-trap, 2" no hub outlet	4	\$705.00
P8503 P8504	3" or 4" no hub outlet	10 14	\$1,041.00
P8506	6" no hub outlet	29	\$2,891.00
P8508	8" no hub outlet	52	\$5,288.00
P8510	10" no hub outlet	83	\$7,961.00



SCAN ME

Model Number	No Hub Outlet Connection (F)	E	D	A	C
P8502	2" (52)	2" (50.8)	11 1/4" (284)	2 5/8" (88.8)	10" (254)
P8503	3" (76)	3" (76)	17 1/4" (438)	3 5/8" (92)	16" (406)
P8504	4" (102)	4" (102)	18 1/4" (464)	4 5/8" (118)	17 1/2" (446)
P8506	6" (152)	6" (152)	27 3/8" (694)	4 3/4" (119)	23 3/4" (603)
P8508	8" (203)	8" (203)	36 1/8" (919)	7 5/8" (195)	32" (813)
P8510	10" (254)	10" (254)	45 3/4" (1,160)	9 3/8" (240)	40" (1,016)

CALIFORNIA PROPOSITION 65 WARNING. This product contains chemicals known to the State of California to cause cancer and birth defects or other reproductive harm.

Visit www.mifab.com for the most recent product information. Design and dimensions are subject to modification. Prices do not include applicable taxes.

Toll Free: 1-800-465-2736, Fax: 1-773-341-3049
sales@mifab.com Canada Toll Free: 1-800-387-3880

MIFAB®, Inc., 1321 West 119th Street, Chicago, Illinois 60643-5109, USA
All sales subject to MIFAB's Terms and Warranties. Please refer to page 53.



SPECIFICATION:

MIFAB® Series (specify P8100 Series for square outlet and P8200 Series for round outlet) downspout boot manufactured out of 16 gauge, Type 304 stainless steel with mounting tabs.

FUNCTION:

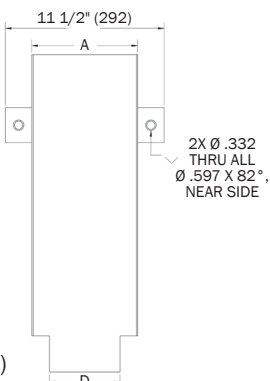
Used as a transition piece to connect sheet metal exposed downspouts or interior roof drainage leaders to underground soil pipe or exterior splash blocks. Stainless steel construction provides an anti-microbial finish.

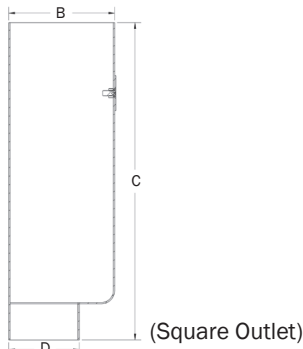
(P8186-24 illustrated)

Note: Every order of this product is a special / custom order fabrication. This product is non-returnable and non-cancellable.

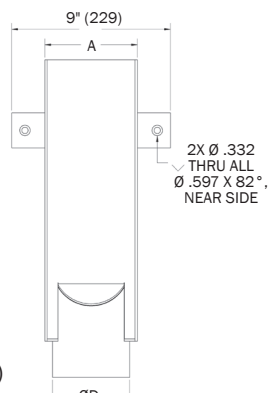
P8100 Series
(Square Outlet)

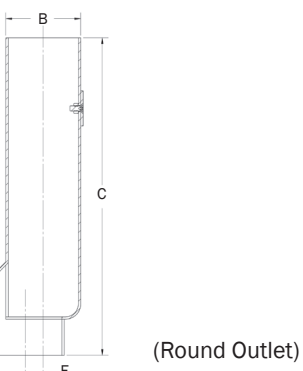




(Square Outlet)

P8200 Series
(Round Outlet)





(Round Outlet)

MODEL NUMBER	DIMENSIONS					WEIGHT Lbs.	LIST PRICE (ADD), TYPE 304 S.S.
	A	B	C	D	E		
P8166-18	6"	6"	18"	4" x 4"	1"	8	\$3,650.00
P8166-24	6"	6"	24"	4" x 4"	1"	10	\$3,771.00
P8186-18	8"	6"	18"	6" x 6"	1"	10	\$3,892.00
P8186-24	8"	6"	24"	6" x 6"	1"	12	\$4,013.00
P8254-18	5 1/4"	4 1/4"	18"	4" dia.	1"	6	\$3,771.00
P8254-24	5 1/4"	4 1/4"	24"	4" dia.	1"	8	\$3,892.00
P8266-18	6"	6"	18"	4" dia.	1"	8	\$4,013.00
P8266-24	6"	6"	24"	4" dia.	1"	10	\$4,135.00
P8286-18	8"	6"	18"	6" dia.	1"	10	\$4,256.00
P8286-24	8"	6"	24"	6" dia.	1"	12	\$4,378.00

OPTIONAL VARIATIONS	DESCRIPTION	LIST PRICE (ADD), TYPE 304 S.S.
-29	Type 316 Stainless Steel	Contact MIFAB
-90	90 Degree Outlet	\$406.00

CALIFORNIA PROPOSITION 65 WARNING. This product contains chemicals known to the State of California to cause cancer and birth defects or other reproductive harm.

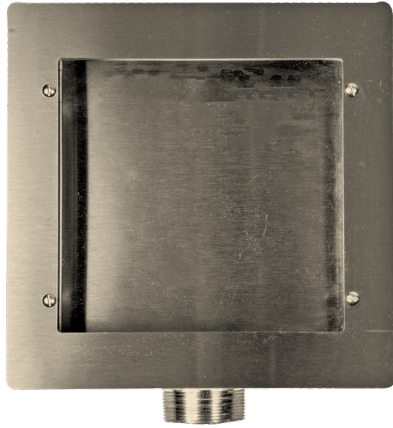
SPECIFICATION:

MIFAB® Series P8400 washing machine box manufactured out of 16 gauge, Type 304 stainless steel with mounting tabs and 2" NPT bottom outlet (Specify -90 for side inlet and -91 for top inlet). MIFAB Series P8400-DO is manufactured with chrome plated brass 1/2" shut off valves.

FUNCTION:

Used to house the controls required to operate washing machines. Stainless steel construction provides an anti-microbial finish.

P8400

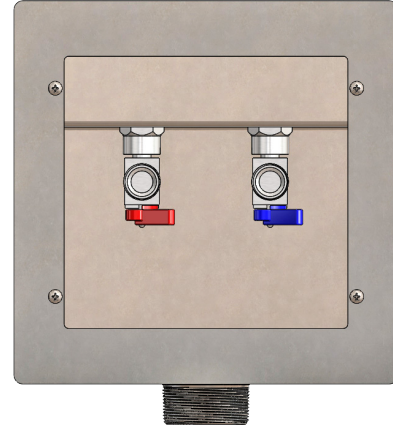


Note: Every order of this product is a special / custom order fabrication. This product is non-returnable, and non-cancellable.

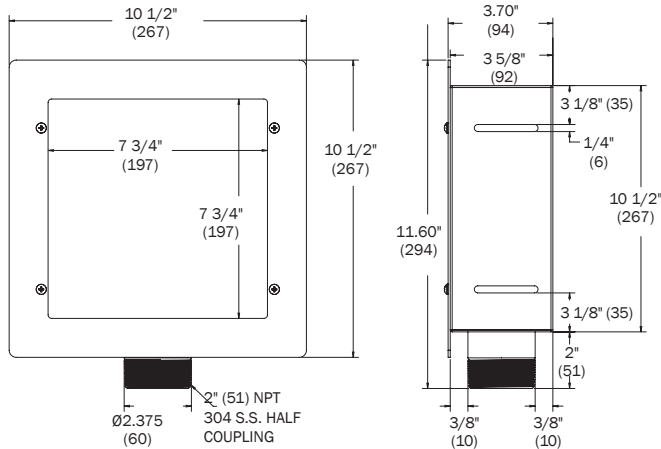


SCAN ME

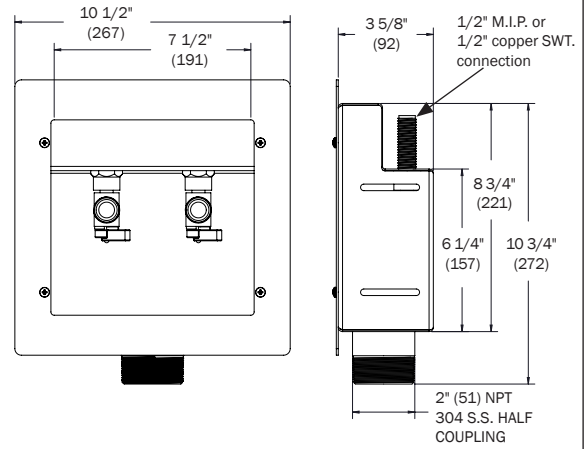
P8400-DO



P8400



P8400-DO



MODEL NUMBER	DESCRIPTION	WEIGHT Lbs.	LIST PRICE
P8400	Type 304, Stainless Steel Washing Machine Box	6	\$1,340.00
P8400-DO	Type 304, Stainless Steel Washing Machine Box with Shut Off Valves	6	\$2,205.00

OPTIONAL VARIATIONS	DESCRIPTION	LIST PRICE (ADD), TYPE 304 S.S.
-29	Type 316 Stainless Steel	Contact MIFAB
-90	90 Degree Outlet	\$407.00
-91	Inlet on the top	\$407.00

CALIFORNIA PROPOSITION 65 WARNING. This product contains chemicals known to the State of California to cause cancer and birth defects or other reproductive harm.

Visit www.mifab.com for the most recent product information. Design and dimensions are subject to modification. Prices do not include applicable taxes.

Toll Free: 1-800-465-2736, Fax: 1-773-341-3049
sales@mifab.com Canada Toll Free: 1-800-387-3880

MIFAB®, Inc., 1321 West 119th Street, Chicago, Illinois 60643-5109, USA
All sales subject to MIFAB®'s Terms and Warranties. Please refer to page 53.



TRENCH DRAINS COMMON QUESTIONS AND ANSWERS

- **WHERE SHOULD YOU USE A STAINLESS STEEL TRENCH DRAIN INSTEAD OF A PLASTIC ONE?**
Stainless steel trench drains should be installed in food preparation, pharmaceutical and other high sanitary areas because of the sanitary benefits of stainless steel material.
- **WHAT ARE SOME FIELD CONSIDERATIONS FOR INSTALLATION OF STAINLESS STEEL TRENCH DRAINS?**
Handle the Stainless Steel channels with care so that they are not bent or dented while handling and installing. This would include ensuring other trades do not step on them before they are fully encased in concrete.
- **WHEN INSTALLING A TRENCH DRAIN, WHICH END DO YOU START FROM?**
Always start at the outlet end with the deepest channel or preferably a catch basin. The flanged end profiles of the channels makes this an easy process.
- **DO STAINLESS STEEL TRENCHES REQUIRE THE SAME DEPTH AND WIDTH OF CONCRETE ENCASEMENT AS OTHER TRENCH DRAIN MATERIALS?**
All trench drains require a minimum (actual depth to be determined by engineers designing the surrounding slab) of 4" on both sides and under the trench drain.
- **IF A SYSTEM SEEMS TO NOT BE GOING TOGETHER WHAT COULD BE TWO REASONS?**
1) The channels are not in numerical sequence
2) The arrows showing direction of flow are pointing away from the outlet pipe. This will give the impression that every piece is out by 5/16" of an inch. Turn the system so the arrows point to the outlet to correct this.
- **WHAT CONSIDERATIONS GO INTO CHOOSING THE GRADE OF STAINLESS STEEL TO BE USED ON A PARTICULAR APPLICATION?**
The selection of which grade SS (304, 316 or other exotic grades) is a process and a compromise between the desired properties of the finished product. Elements such as corrosion resistance and heat resistance are typical considerations. Also, ease of fabrication. The objective is to select the product best suited to provide a product that will ensure a long, trouble free service life.
- **WHAT ARE TYPICAL APPLICATIONS?**
Typical applications include but are not limited to: Food and beverage plants, pharmaceutical facilities, chemical plants or at least plants with some chemicals that could be in contact with the trench drains. Also, hospitals, food preparation areas, and any situation that requires a sanitary environment.
- **IS TEMPERATURE A FACTOR IN CHOOSING STAINLESS STEEL AS A PREFERRED MATERIAL?**
Virtually all other materials including HDPE, MDPE, Polypropylene and Polymer Concrete have a 180-degree Fahrenheit high limit for operating safely. MIFAB's GRP product is the sole material besides Stainless Steel that can handle the 212-degree environment. However, that selection would take into consideration the introduction of various chemicals.

CALIFORNIA PROPOSITION 65 WARNING. This product contains chemicals known to the State of California to cause cancer and birth defects or other reproductive harm.

- **SHOULD YOU PUT THE GRATES IN WHEN POURING THE CONCRETE SURROUND?**
All systems that do not have a frame with cross bars should have something in the top of the channel during installation. This can be either plywood, pour boards or grates wrapped in plastic and turned upside down. Span them across the end of two channels to help with alignment. This also helps keep concrete out of the grate seat area.
- **HOW DO I CONNECT A 4" BOTTOM OUTLET TO AN 8" DRAINAGE PIPE?**
By using the MIFAB® Series of MI-FLEX flexible couplings.
- **SHOULD YOU INSTALL TRENCH DRAINS ON DIRT OR ROAD BASE?**
Never. You should always install trench drain in a concrete surround.
- **IF A GRATE IS LOAD TESTED TO CLASS C, DOES ADDING A HEAVY DUTY FRAME GET THE SYSTEM TO A CLASS E?**
No; putting a lower rated grate (example C) on a channel and frame that is rated E will not allow for the system to rate at load class E. Consult MIFAB to clarify any questions.
- **WHEN DO YOU USE CATCH BASINS INSTEAD OF BOTTOM OUTLETS?**
Catch basins are preferred. This can be at the end of a run or if there are two runs meeting in the middle. The catch basin has a sediment bucket internally. It is preferred as that bucket will capture any debris so it cannot enter the piping system and cause clogging. Catch basins do not inhibit or restrict the flow of the water.
- **WHY DO YOU LOCK DOWN GRATES?**
1) So the grates cannot be stolen.
2) As these systems can take extreme loads; locking the grates makes the system more integral and aids with longevity.
- **CAN GALVANIZED GRATES BE INSTALLED WITH STAINLESS STEEL CHANNELS?**
This is never recommended as there is a chemical reaction between galvanized steel and stainless steel that can adversely affect the performance of both metals. There are infrequent occasions when a ductile iron grate is used in conjunction with a stainless steel trench body. This is typically when the grate will take a heavy load and small wheel forklift traffic.
- **WHAT IS THE DIFFERENCE BETWEEN AN EXPANSION JOINT AND A CONTROL JOINT?**
A control joint is the groove you see in a concrete slab. If the concrete cracks, and it will, it is encouraged to crack there. An expansion joint is a full depth (from top to bottom of pour) insert that is designed to absorb horizontal expansion and contraction of the surrounding concrete slab. Expansion joints are recommended in slab construction exposed to moderate to severe temperature variations. Most external applications will meet this criteria.
- **THE STAINLESS STEEL CHANNEL DOES NOT LOOK THAT STRONG. WILL IT TAKE THE LOAD?**
The Stainless Steel trench drain load capacity is based on material properties in conjunction with following the recommended installation criteria set forth by the manufacturer in addition to a quality concrete encasement.
- **DO NON SLOPING CHANNELS DRAIN WATER?**
Yes, non sloping channels do drain water. Maybe at a slightly slower rate, but typically this is not an issue during normal operation.
- **DO DUCTILE IRON GRATES RUST?**
Grates are delivered with a temporary coating on them. Over a period, the coating comes off and the grates start to transform into their neutral state. Like a manhole cover they turn a dull brown/black color. This is a "PATINA" finish which is created by the surface oxidation of the iron grate.

CALIFORNIA PROPOSITION 65 WARNING. This product contains chemicals known to the State of California to cause cancer and birth defects or other reproductive harm.

Visit www.mifab.com for the most recent product information. Design and dimensions are subject to modification. Prices do not include applicable taxes.

Toll Free: 1-800-465-2736, Fax: 1-773-341-3049
sales@mifab.com Canada Toll Free: 1-800-387-3880

MIFAB®, Inc., 1321 West 119th Street, Chicago, Illinois 60643-5109, USA
All sales subject to MIFAB®'s Terms and Warranties. Please refer to page 53.



Custom Fabrication

- **WELDING**



At MIFAB®'s Chicago warehouse, we manufacture custom and standard interceptors, access doors, trench drains, dialysis boxes, custom drainage products and more. We are equipped with welding stations that process both MIG and TIG welding for clean and sharp welds.

- **LASER CUTTING**



Our laser machine has 60" x 120" dual tables that are auto switching to allow one sheet to be cut while the other is unloaded, providing maximum efficiency in processing different cuts. We have press brakes that have both auto tooling clamping and seating to save production time.

- **EPOXY COATING**



Once products are lasered and welded, they go to the epoxy coating line. We use a powder spray booth with electrostatic spraying, so products have a consistent thickness and ensure all components are fully covered. The acid resistant powder epoxy coating we use protects the steel and increases the life of our products.

- **IN HOUSE ENGINEERING TEAM**



MIFAB®'s all-star engineering team can quickly and accurately assist with any of your custom fabrication needs. Our in-house engineering team is composed of eight full-time team members who have experience in a multitude of different areas.

MIFAB®'s engineers are trained to provide custom fabrication designs and our Technical Support Engineering Team is available to assist with any custom fabrication inquiries. However simple or complex your project is, we got you.

LEARN MORE: www.mifab.com

CALIFORNIA PROPOSITION 65 WARNING. This product contains chemicals known to the State of California to cause cancer and birth defects or other reproductive harm.

Stainless steel material has greatly increased corrosion resistance over conventional mild and low alloy steels. Stainless steel has enhanced corrosion resistance because of the addition of at least 11% of chromium. Most stainless steels are made with 18% chromium. Other significant materials included within stainless steel are nickel and molybdenum.

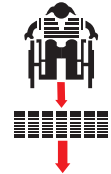
Stainless steel has the following advantages:

- High corrosion resistance
- Non-porous – easy to clean and disinfect
- Aesthetically pleasing
- Resistant to extreme temperatures and thermal shock
- Coefficient of linear expansion similar to concrete
- 100% recyclable

MIFAB® stainless steel products are made with standard Type (AISI) 304 stainless steel and are ideal for applications such as food processing, dairy, leisure, brewery, wineries, pharmaceutical, chemical and petrochemical projects.



ADA grates are designed to have open slots no greater than 0.5 inches (13mm) wide in one direction. If the length of the slot is greater than 0.5 inches, the opening shall run perpendicular to the main direction.



Heelproof grates are designed to resist entry of pointed high heel shoes from entering the trench drain grate opening. ASME Standard A112.6.3, Section 7.12 defines Heel Proof as: “A grate designed to resist entry of high-heeled shoes, in which the maximum grate hole size in least dimension shall be 5/16” (8mm)” (0.31”).

TRAPPING OF SEDIMENT

There are few, if any, floors and areas that are free of sediment, debris and bits of non-liquid waste that will gravitate to the floor areas. Such materials, if permitted to enter drains unchecked will lead to messy stoppage of the lines. Therefore, preventive measures should be taken to ensure free drainage without stoppage. MIFAB® offers a complete range of sediment buckets for all applications. Sediment buckets (-5) may be used with MIFAB®'s floor drains and trench in areas such as washrooms and showers to intercept valuables and hair. Choose Suffix -5 for the specification of sediment buckets.

CALIFORNIA PROPOSITION 65 WARNING. This product contains chemicals known to the State of California to cause cancer and birth defects or other reproductive harm.

Visit www.mifab.com for the most recent product information. Design and dimensions are subject to modification. Prices do not include applicable taxes.

Toll Free: 1-800-465-2736, Fax: 1-773-341-3049
sales@mifab.com Canada Toll Free: 1-800-387-3880

MIFAB®, Inc., 1321 West 119th Street, Chicago, Illinois 60643-5109, USA
All sales subject to MIFAB®'s Terms and Warranties. Please refer to page 53.

There are two main grate definitions in the trench drain industry to help engineers select the appropriate grate. EN 1433 / DIN19580 and ANSI A112.21.1M Standards.

ANSI A112.21.1M		
Grates shall be designed to meet the following load classifications in a static condition		
	Light Duty	All grates having safe live load (as calculated in paragraph 6.1.6 of the ANSI Standard) under 2,000 lbs. (900 kg.) For pedestrian foot traffic only.
	Medium Duty	All grates having safe live load (as calculated in paragraph 6.1.6 of the ANSI Standard) between 2,000 lbs. (900 kg.) and 4,999 lbs. (2,250 kg.) For light pneumatic tire traffic only. Sidewalks and residential parking.
	Heavy Duty	All grates having safe live load (as calculated in paragraph 6.1.6 of the ANSI Standard) between 5,000 lbs. (2,250 kg.) and 7,499 lbs. (3,375 kg.) For Commercial Pneumatic tire traffic patterns and tractor trailers.
	Extra Heavy Duty	All grates having safe live load (as calculated in paragraph 6.1.6 of the ANSI Standard) between 7,500 lbs. (3,375 kg.) and 10,000 lbs. (4,500 kg.) For forklift traffic. Roads and Highways. H-20 Load Rated.
	Special Duty	All grates having safe live load (as calculated in paragraph 6.1.6 of the ANSI Standard) over 10,000 lbs. (4,500 kg.) For airport traffic.

EN1433 / DIN19580		
Grates shall be designed to meet the following load classifications in a static condition		
	Load Class A	Light Duty Grate design load up to or exceeding 3,372 lbs. (15 kN). For pedestrian foot traffic only.
	Load Class B	Medium Duty Grate design load of at least 28,100 lbs. (125 kN). For light pneumatic tire traffic only. Sidewalks and residential parking.
	Load Class C	Heavy Duty Grate design load of at least 56,200 lbs. (250 kN). Commercial Applications.
	Load Class D	Grate design load of at least 89,920 lbs. (400 kN). For pneumatic forklift traffic. Extra Heavy Duty. Roads and Highways. H-20 Load Rated.
	Load Class E	Grate design load of at least 134,800 lbs. (600 kN). For Commercial Solid tire traffic patterns, and impacts from steel struts or metal wheels (forklifts). Extreme Heavy Duty.
	Load Class F	Grate design load of at least 202,320 lbs. (900 kN). For airport traffic.

CALIFORNIA PROPOSITION 65 WARNING. This product contains chemicals known to the State of California to cause cancer and birth defects or other reproductive harm.

CHEMICAL RESISTANCE CHART

CHEMICALS	MATERIALS			
	AISI 316L S.S.	AISI 304 S.S.	EPDM	NBR
1) Very good resistance				
2) Moderate resistance				
3) Limited or variable resistance				
4) Unsatisfactory				
Acetone	1	1	1	4
Acetic acid (diluted) 30%	1	1	1	2
Acetic acid 100%	1	1	1	3
Acetic acid anhydride	1	1	2	3
Aluminum chloride	4	4	1	1
Aluminum sulfate	1	4	1	1
Ammonium carbonate	1	1	1	4
Ammonium chloride	2	3	1	1
Ammonium hydroxide	1	1	1	4
Amyl chloride	1	1	-	-
Aniline	1	1	2	4
Aniline hydrochloride	4	4	2	2
Barium chloride	2	2	1	1
Barium hydroxide	1	1	1	1
Benzaldehyde	1	1	1	4
Benzene	1	1	4	4
Benzoic acid	1	1	-	-
Borax	1	1	1	2
Boric acid	1	1	1	1
Bromine	4	4	-	-
Bromine chloride acid	4	4	1	4
Bromine hydrogen acid	4	4	1	4
Bromoethylene	1	1	-	-
Butanol	1	1	4	1
Butyl acetate	1	1	2	-
Butyric acid	1	1	-	-
Calcium bisulfate el sulfite	1	1	4	1
Calcium chloride	2	2	1	1
Calcium hypochlorite	1	1	1	1
Carbon disulfide	2	3	1	3
Carbon tetrachloride	1	1	-	-
Chloroacetic acid (mono)	1	1	4	3
Chloride	4	4	2	-
Chloric acid	4	4	-	-
Chloril acid	4	4	-	-
Chlorine (dry)	1	1	-	-
Chlorobenzene	1	1	4	4
Chloroform	2	2	4	4
Chlorosulfonic acid	2	3	4	4
Copper chloride	2	2	1	1
Copper nitrate	1	1	-	-
Copper sulfate	1	1	1	1
Ether	1	1	-	-
Ethyl chloride	1	1	1	1
Fatty acid	1	1	4	2
Fluorine (dry)	1	1	-	-
Fluorine hydrogen acid	4	4	2	4
Formaldehyde	1	1	1	2
Formic acid	1	1	1	2
Furfural	1	1	2	4
Gallic acid	1	1	2	2
Hydrochloric acid	4	4	1	4
Hydrogen peroxide	1	1	3	4
Iodine (wet)	4	4	-	-
Lead acetate	1	1	1	2

CHEMICALS	MATERIALS			
	AISI 316L S.S.	AISI 304 S.S.	EPDM	NBR
1) Very good resistance				
2) Moderate resistance				
3) Limited or variable resistance				
4) Unsatisfactory				
Magnesium chloride	2	2	1	1
Magnesium sulfate	1	2	1	1
Mercury	1	1	1	1
Methanol	1	1	1	1
Methyl chloride	1	1	3	4
Methylene chloride	2	2	4	4
Naphthalene	1	1	4	4
Nickel chloride	2	2	1	1
Nickel sulfate	1	1	1	1
Nitric acid	3	3	3	4
Oxalic acid	3	3	1	2
Perchloric acid	4	4	2	-
Phosphoric Acid	1	1	2	4
Picric acid	1	1	2	2
Potassium bromide	1	1	-	-
Potassium carbonate	1	1	-	-
Potassium chlorate	1	1	-	-
Potassium cyanide	1	1	1	1
Potassium hydroxide	1	1	1	2
Potassium nitrate	1	1	1	1
Potassium permanganate	1	1	-	-
Potassium sulfate	1	1	1	1
Potassium sulfide	1	1	-	-
Potassium chloride	2	2	1	1
Propylene dichloride	1	1	-	-
Sal ammoniac	2	3	1	1
Silver nitrate	1	1	1	2
Soda (ash)	1	1	-	-
Sodium acetate	1	1	1	2
Sodium bicarbonate	1	1	1	1
Sodium bisulfate	1	3	-	-
Sodium bisulfite	1	1	1	1
Sodium bromide	2	2	-	-
Sodium chlorate	1	1	-	-
Sodium chloride	4	4	-	-
Sodium cyanide	1	1	1	1
Sodium fluoride	1	1	-	-
Sodium hydroxide	1	1	1	2
Sodium hypochlorite	4	4	2	2
Sodium nitrate	1	1	1	2
Sodium sulfate	1	1	1	1
Sodium sulfide	1	1	-	-
Sodium sulfite	1	1	1	1
Stannous chloride	2	3	2	1
Sulfur	1	1	1	4
Sulfur chloride	1	1	4	3
Sulfur dioxide	1	2	1	4
Sulfuric acid	4	4	2	4
Sulfurous acid	1	3	2	2
Thionyl chloride	1	1	4	-
Toluene (toluol)	1	1	4	4
Trichloroethylene	1	1	4	1
Turpentine	1	1	4	1
Xylene (xylol)	1	1	-	-
Zinc sulfate	1	1	-	-

Note: Concentration levels and length of exposure have a direct influence on the resistance of stainless steel to certain chemicals. Each application should therefore be carefully reviewed to determine the suitability of stainless steel.

Assumptions: Data presented are used as a guide only, for detailed information please contact our Sales/Technical department.

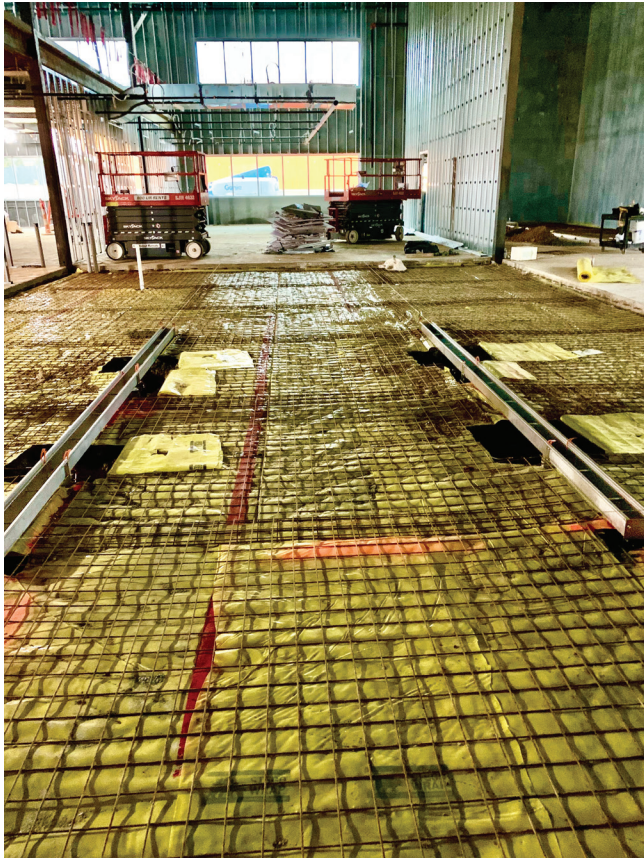
CALIFORNIA PROPOSITION 65 WARNING. This product contains chemicals known to the State of California to cause cancer and birth defects or other reproductive harm.

Visit www.mifab.com for the most recent product information. Design and dimensions are subject to modification. Prices do not include applicable taxes.

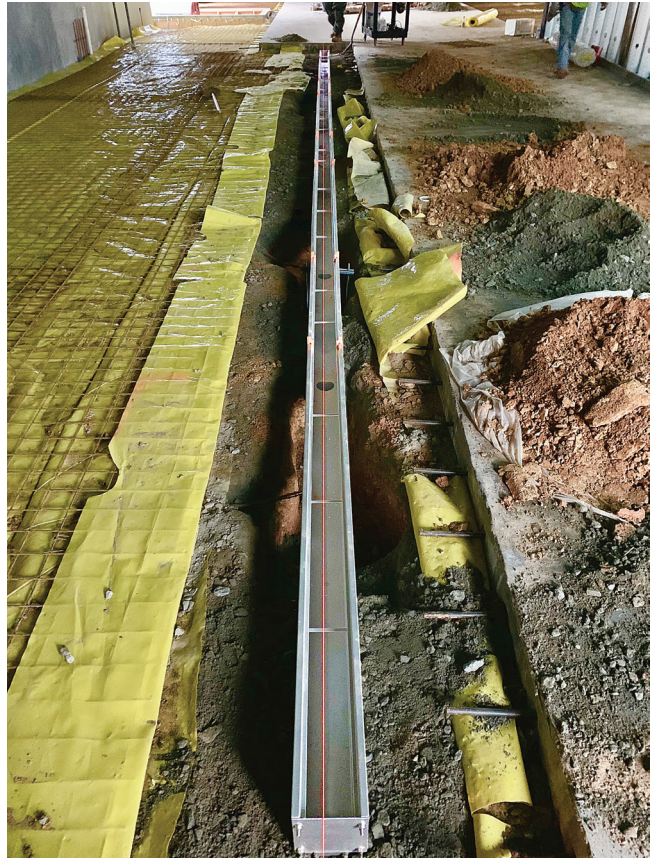
Toll Free: 1-800-465-2736, Fax: 1-773-341-3049
 sales@mifab.com Canada Toll Free: 1-800-387-3880

MIFAB®, Inc., 1321 West 119th Street, Chicago, Illinois 60643-5109, USA
 All sales subject to MIFAB®'s Terms and Warranties. Please refer to page 53.

PROJECT REFERENCES



P6060



P6060



Brown- Forman Distillery Project - Kentucky



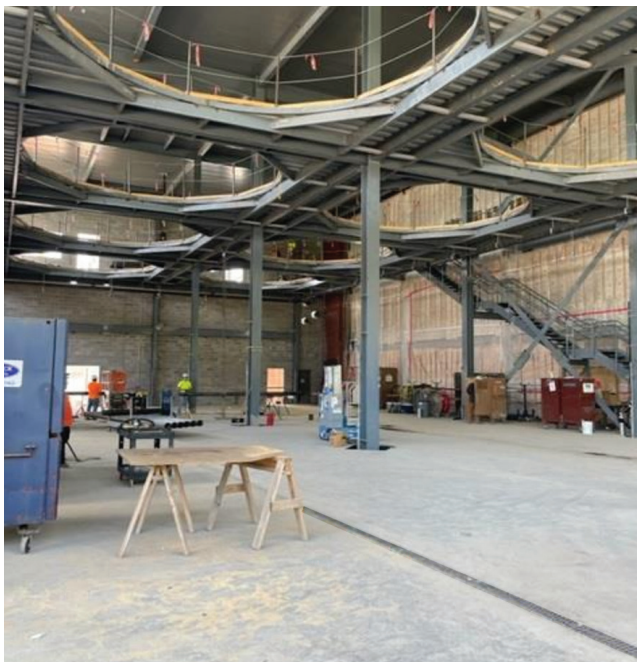
Brown- Forman Distillery Project - Kentucky

CALIFORNIA PROPOSITION 65 WARNING. This product contains chemicals known to the State of California to cause cancer and birth defects or other reproductive harm.

PROJECT REFERENCES



P6120-ELTD



Brown- Forman Distillery Project - Kentucky



Brown- Forman Distillery Project - Kentucky

CALIFORNIA PROPOSITION 65 WARNING. This product contains chemicals known to the State of California to cause cancer and birth defects or other reproductive harm.

Visit www.mifab.com for the most recent product information. Design and dimensions are subject to modification. Prices do not include applicable taxes.

Toll Free: 1-800-465-2736, Fax: 1-773-341-3049
sales@mifab.com Canada Toll Free: 1-800-387-3880

MIFAB®, Inc., 1321 West 119th Street, Chicago, Illinois 60643-5109, USA
All sales subject to MIFAB®'s Terms and Warranties. Please refer to page 53.

STAINLESS STEEL THRESHOLD ELEVATOR TRENCH DRAIN FLOW RATE TEST REPORT # 01-07232023

SAMPLE DESCRIPTION: Threshold Elevator Trench Drains.

SCOPE OF TESTING: The purpose of the testing is to determine if the samples tested of the Threshold Elevator Trench Drains meet the requirements of the manufacturer’s test protocol.

MODEL SIZES AND GRATES TYPE			
	Sample size (W x L x D)	Grate type	Part Number
1	6" x 36" x 2"	Type 304 Stainless Steel slotted grate	P6460-THTD-36
2	6" x 48" x 2"	Type 304 Stainless Steel slotted grate	P6460-THTD-48
3	6" x 60" x 2"	Type 304 Stainless Steel slotted grate	P6460-THTD-60
4	8" x 36" x 2"	Type 304 Stainless Steel slotted grate	P6480-THTD-36
5	3" x 36" x 2"	Type 304 Stainless Steel slotted grate	P6430-THTD-36
6	12" x 36" x 2"	Type 304 Stainless Steel slotted grate	P6560-THTD-36
7	12" x 42" x 1-3/4"	Type 304 Stainless Steel slotted grate	P6560-THTD-42

PRIMARY STANDARD: Manufacture’s protocol of specified flow.

TEST RESULTS: all tests and evaluations were conducted per the written procedures specified in sections 2 of 2013 San Francisco Fire Code.

TEST PROTOCOL: each drain & grate was installed in a 5ft x 4ft x 6" stainless steel pan. Flow rate was increased to specific flow and maintained for 10 minutes. Observations were made to ensure the water did not bypass to the other side of the drain transverse dimension (width).

TEST RESULTS						
	Part Number	Grate type	Maximum flow rate achieved (gpm)	Target Flow (gpm)	Test time duration	Status
1	P6460-THTD-36	Type 304 Stainless Steel slotted grate	56	50	10 minutes	PASS
2	P6460-THTD-48	Type 304 Stainless Steel slotted grate	61	60	10 minutes	PASS
3	P6460-THTD-60	Type 304 Stainless Steel slotted grate	63	60	10 minutes	PASS
4	P6480-THTD-36	Type 304 Stainless Steel slotted grate	76	75	10 minutes	PASS
5	P6430-THTD-36	Type 304 Stainless Steel slotted grate	27	25	10 minutes	PASS
6	P6560-THTD-36	Type 304 Stainless Steel slotted grate	101	100	10 minutes	PASS
7	P6560-THTD-42	Type 304 Stainless Steel slotted grate	106	100	10 minutes	PASS

CALIFORNIA PROPOSITION 65 WARNING. This product contains chemicals known to the State of California to cause cancer and birth defects or other reproductive harm.

WHOLESALE DISCOUNT:

Contact MIFAB® or your local representative for your applicable discount structure.

FREIGHT ALLOWANCE: Ex Works, MIFAB®'s Chicago, Illinois Factory or Manufacturer Representative's warehouse with full motor freight allowed on shipments of \$5000.00 Net or more, within the continental U.S.A. and Canada, except Alaska, Hawaii and Puerto Rico. MIFAB® reserves the right to choose the carrier and route of shipment. For Alaska, full motor freight is allowed on shipments of \$10,000 Net or more. Hawaii: Freight allowed on shipments of \$5,000.00 or more only when shipped from West Coast, U.S. Puerto Rico: Ex Works, Miami, Florida. There is no allowance for United Parcel Service, Federal Express or Shipment by air service. Full motor freight is allowed on shipments of \$5,000.00 Net or more, within the continental U.S.A. and Canada for any combination of BEECO, Counterline, No Hub Coupling, Trench Drain, Access Door and Trap Seal Primer products. Shipping dates are estimates and time of delivery is not the essence of the sale of the contract. Therefore, under no circumstances will MIFAB® have any responsibility on account of any delays in manufacture, transportation, or otherwise. Additional freight services such as construction site delivery, lift gate delivery service, re-consigned freight or notification charges, are not included in full freight allowance terms, and will result in additional freight charges.

QUOTATION TERMS: List Price and discount protected for 30 days from date issued by MIFAB®. Orders received within this period must be released for shipment within 30 days from date of purchase order, otherwise, prices will be those that are in effect at the time of shipment.

PAYMENT TERMS: Terms of payment are Net 30 days from the date of the invoice. All pricing in United States currency except for sales to Canadian customers which are priced in Canadian dollars. The Buyer shall pay all sales, consumers, and / or any other applicable taxes. Past due accounts will be subject to a 2% per month service charge from the date of the invoice. If any proceedings be instructed by or against Buyer under any bankruptcy or insolvency law, or if Buyer shall fail to make timely payment on this or any other order, or if, in MIFAB®'s judgment, Buyer's financial situation justifies such action, MIFAB® may, at its election, require payment in advance or cancel the order as to any unshipped item and require payment of its reasonable cancellation charges. If Buyer delays completion of manufacture, MIFAB® may elect to require payment according to percentage of completion. Equipment held for Buyer shall be at Buyer's risk and expense. In all cases, regardless of partial payment, title to the Products shall remain with MIFAB® until payment for the Products (including any notes given therefore) has been made in full. Should legal action be necessary to enforce payment of an unpaid invoice, the Buyer will assume full responsibility for any court costs and reasonable attorney fees. All orders subject to credit check and approval prior to shipment. Confirmed irrevocable letter of credit or cash in advance of shipment is required for accounts without an established line of credit. Minimum invoice amount is \$100.00. MIFAB® reserves the right to apply a minimum order charge to equal \$100.00. MIFAB®'s Accounting Department must be notified of potential pricing errors within 30 days of the invoice date. Any terms and conditions stated on Buyer's orders which are inconsistent with MIFAB®'s quotation and Terms and Warranties shall be of no effect.

RETURNED GOODS RESTOCKING CHARGE: Standard product may be returned within a one year period only with written permission from MIFAB®. All products in catalog are not considered Standard. Standard product to be determined by MIFAB®. Returned goods are subject to a 25% restocking charge, plus cost of reconditioning, if necessary, to make material saleable. Material must be returned to MIFAB® freight prepaid only after written permission from MIFAB® to accept the returned material. Buyer must provide copy of the original invoice on which the material was charged. The original outgoing freight cost to ship the order will be deducted from the credit. Credit allowance will be in the form of merchandise credit only-not cash credit which must be used within 12 months of the date of issue. The value of a return must total \$100.00 to qualify for credit allowance. No credit will be allowed for auxiliary tappings, discontinued, or made to order items. Products designated non stock and / or that have been specially made are not subject to return or cancellation.

LIMITED WARRANTY: MIFAB® warrants each product against defects in material and workmanship for a period of one year from the date of original shipment. In the event of such defects within the warranty period, MIFAB® will, at its option, replace or recondition the product without charge. This shall constitute the exclusive remedy for breach of warranty, and MIFAB® shall not be responsible for any incidental or consequential damages, including, without limitation, damages or other costs resulting from labor charges, delays, vandalism, negligence, fouling caused by foreign material, damage from adverse water conditions, chemicals, or any other circumstances over which MIFAB® has no control. This warranty shall be invalidated by any abuse, misuse, misapplication or improper installation of the product.

MIFAB® MAKES NO OTHER WARRANTIES EXPRESSED OR IMPLIED AS PROVIDED IN THIS LIMITED WARRANTY.

ILLUSTRATIONS OR TYPICAL INSTALLATIONS: The typical installations for various products in each product section are intended to illustrate the products and their options. Under no circumstances are they to be construed as recommended installation procedures. Consult local codes and project specifications for proper installation instructions.

ALL SALES SUBJECT TO MIFAB®'s TERMS AND WARRANTIES.

NOTE: Prices and terms are subject to change without notice and supersede all previous quotations. The right is reserved to change or modify product design or construction without prior notice and without incurring any obligation to make similar changes and modifications to product previously or subsequently sold. Contact MIFAB® for any clarification.

CONTENTS © MIFAB® INC. Copyright 2025

CALIFORNIA PROPOSITION 65 WARNING. This product contains chemicals known to the State of California to cause cancer and birth defects or other reproductive harm.

Visit www.mifab.com for the most recent product information. Design and dimensions are subject to modification. Prices do not include applicable taxes.

Toll Free: 1-800-465-2736, Fax: 1-773-341-3049
sales@mifab.com Canada Toll Free: 1-800-387-3880

MIFAB®, Inc., 1321 West 119th Street, Chicago, Illinois 60643-5109, USA
All sales subject to MIFAB®'s Terms and Warranties. Please refer to page 53.

ZURN / STAINLESS STEEL DRAINS.COM	PAGE	MIFAB®
Z891	(Page 7)	P6335
Z899	(Page 21)	P6120-ELTD
ZS890	(Page 10)	P6060
Z893	(Page 40)	P5000
Z894	(Page 25)	P6140
ZS895	(Page 14)	P6120
Z897	(Pages 8, 10, 12, 14)	Catch Basins
Z898	(Page 24)	P6130
Z899-100	(Page 21)	P6120-ELTD
Z899-THR-76	(Pages 22, 23)	P6460-THTD, P6480-THTD, P6560-THTD
Z1832	(Page 26)	P3060
ZM1832	(Page 26)	P3060
Z1810-12B	(Page 29)	P3100
ZM1810-12B	(Page 29)	P3100
Z1810-12S	(Page 31)	P3120
ZM1810-12S	(Page 31)	P3120
Z1820-8B	(Page 29)	P3100-90
ZM1820-8B	(Page 29)	P3100-90
Z1820-12B	(Page 29)	P3100-90
ZM1820-12B	(Page 29)	P3100-90
Z1820-12S	(Page 31)	P3120-90
ZM1820-12S	(Page 31)	P3120-90

ZURN / STAINLESS STEEL DRAINS.COM	PAGE	MIFAB®
Z1800-12B	(Page 36)	P3230
ZM1800-12B	(Page 36)	P3230
Z1800-12S	(Page 37)	P3230-S
ZM1800-12S	(Page 37)	P3230-S
Z1830-12B	(Page 29)	P3100
ZM1830-12B	(Page 29)	P3100
Z1830-12S	(Page 31)	P3120
ZM1830-12S	(Page 31)	P3120
Z1840-6B	(Page 38)	P7060
ZM1840-6B	(Page 38)	P7060
Z1840-6S	(Page 38)	P7060-S
ZM1840-6S	(Page 38)	P7060-S
Z1840-8B	(Page 39)	P7080
ZM1840-8B	(Page 39)	P7080
Z1840-8S	(Page 39)	P7080-S
ZM1840-8S	(Page 39)	P7080-S
Z1850	(Page 32)	P4120-6D
ZM1850	(Page 32)	P4120-6D
Z1870	(Page 41)	P8300
ZM1870	(Page 41)	P8300
Z1890	(Page 41)	P8500
ZM1890	(Page 41)	P8500

CALIFORNIA PROPOSITION 65 WARNING. This product contains chemicals known to the State of California to cause cancer and birth defects or other reproductive harm.

MIFAB CATALOGS



**MPB-2025-USA
SPECIFICATION
DRAINAGE
PRODUCTS
(LIT-067)**



**CLPB-2025
LIGHT COMMERCIAL
PRODUCTS
(LIT-048)**



**AD-2024-USA
ACCESS DOORS
(LIT-043)**



**BEECO-2025
BACKFLOW PREVENTERS,
AND ACCESSORIES
(LIT-071)**



**NH-2022-06
NO HUB COUPLINGS
(LIT-044)**



**TDPC-2025
POLYMER CONCRETE
TRENCH DRAINS
(LIT-076)**



**TD-2025
GRP & STEEL
TRENCH DRAINS
(LIT-046)**



**TDSD-2025
SHOWER DRAINS
(LIT-077)**



**TDSS-2025
STAINLESS STEEL
TRENCH DRAINS
(LIT-072)**



**ROOFGUARD-2020
ROOFGUARD ROOF
DOMES
(LIT-058)**



**C-PORT-2023
ROOFTOP RUBBER
PIPE SUPPORTS
(LIT-047)**



**DB-2024
DIALYSIS BOXES
(LIT-070)**



**HYDROMAX-2020
SIPHONIC DRAINAGE
SYSTEMS
(LIT-082)**



**INT-2025
INTERCEPTORS & ACID
NEUTRALIZATION TANKS
(LIT-095)**



**TSP-2024
TRAP SEAL
PRIMERS
(LIT-062)**



CALIFORNIA PROPOSITION 65 WARNING. This product contains chemicals known to the State of California to cause cancer and birth defects or other reproductive harm.

Visit www.mifab.com for the most recent product information. Design and dimensions are subject to modification. Prices do not include applicable taxes.

Toll Free: 1-800-465-2736, Fax: 1-773-341-3049
sales@mifab.com Canada Toll Free: 1-800-387-3880

MIFAB®, Inc., 1321 West 119th Street, Chicago, Illinois 60643-5109, USA
All sales subject to MIFAB's Terms and Warranties. Please refer to page 53.



TDSS-2025

STAINLESS STEEL DRAIN SYSTEMS CATALOG 2025

**TRENCH, FLOOR AND KETTLE
DRAINS, CLEANOUTS & ACCESSORIES**



**4", 8", 12" INTERNAL WIDTHS - SHALLOW BODY - CATCH BASINS
(6", 10" AND 14" OVERALL WIDTHS)**

LIT-072