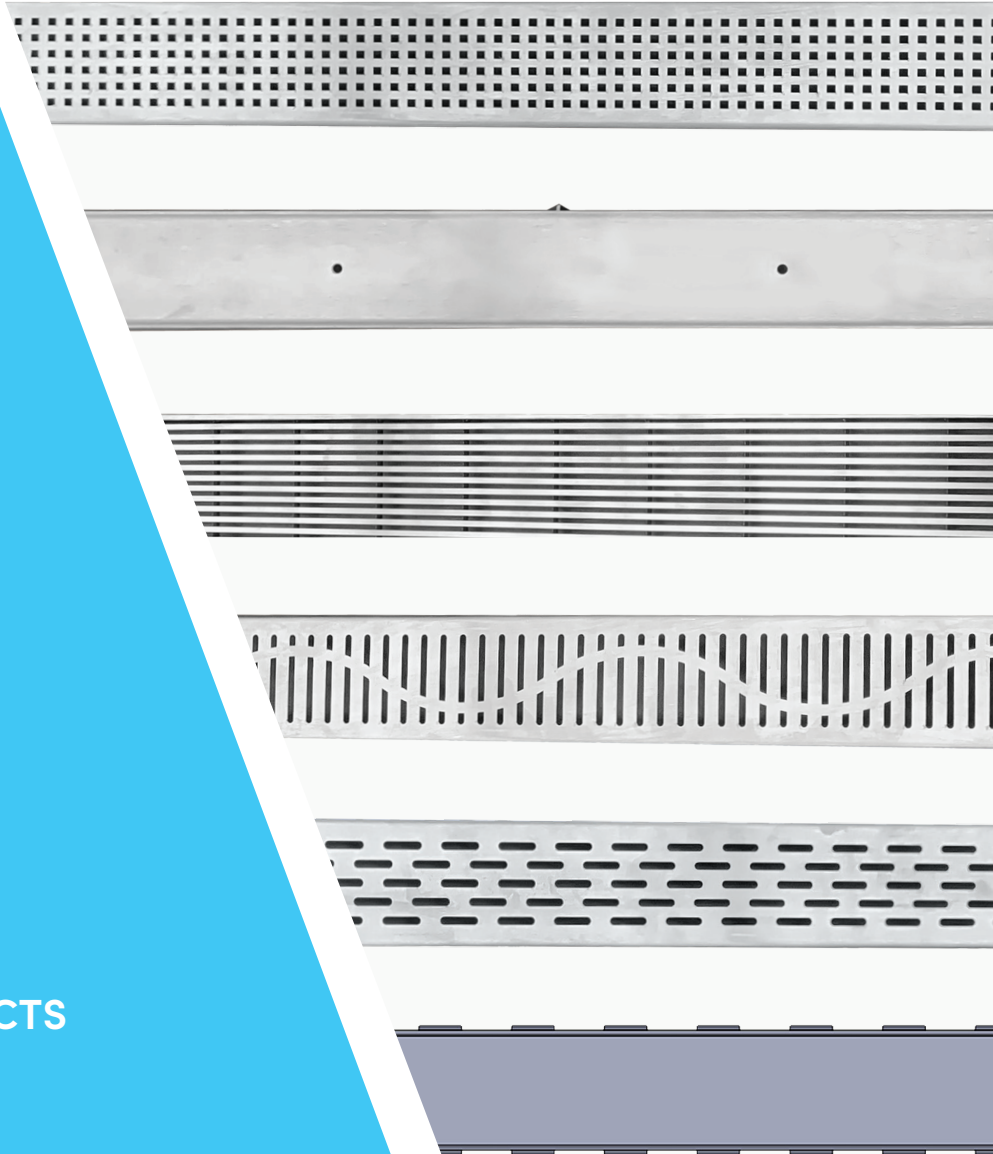


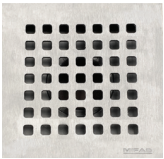



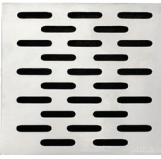
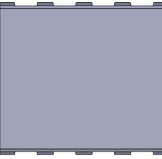


TDSD-2025

SHOWER DRAIN CATALOG 2025

STAINLESS STEEL
SHOWER DRAIN PRODUCTS



<p>QUATRO</p> 	<p>TILE INLAY</p> 	<p>WEDGEWIRE</p> 	<p>WAVE</p> 	<p>SUBWAY</p> 	<p>PERIMETER</p> 
--	--	---	---	--	---

LIT-077

TABLE OF CONTENTS

Stainless Steel Linear and Point Drain Features and Benefits..... 3

P9000 – Stainless Steel Linear Shower Drains with Stainless Steel Grates..... 4

Adjustable bottom outlet and end caps for P9000 stainless steel linear shower drains..... 5

P9800 – Stainless Steel Point Drains with Stainless Steel Grates..... 6

Project References..... 7

ABS Linear and Point Drain Features and Benefits 8

P9100 – ABS Plastic Linear Shower Drains with Stainless Steel Grates..... 9

Adjustable bottom outlet and end caps for P9100 plastic linear shower drains 10

P9600 - 2" Outlet – Plastic Edge and Finished Edge Frame Point Drains 11

P9700 - 110mm Outlet – Plastic Edge and Finished Edge Frame Point Drains..... 12

Stainless Steel Linear and Point Drain Installation Guide 13

ABS Linear and Point Drain (2" outlet) Installation Guide 14

P9700 Series, (110mm outlet) ABS Point Drain Installation Guide 15

Terms and Warranties 18

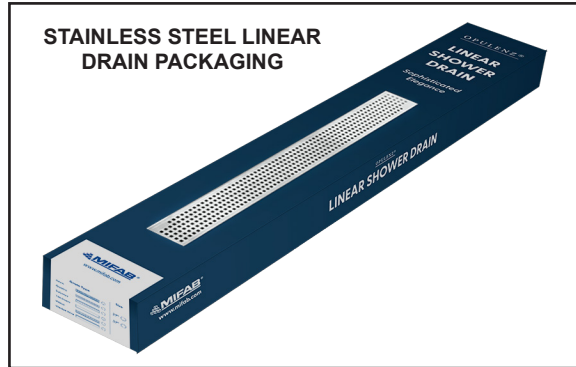
PICTORIAL INDEX

 <p>P9000 – All Stainless Steel Shower Channels (Page 4)</p>	 <p>P9800 – Stainless Steel Point Drains (Page 6)</p>	 <p>P9100 – Plastic Edge Shower Channels (Page 9)</p>	 <p>P9600 and P9700 – Plastic Edge and Finished Edge Frame Point Drains (Pages 11, 12)</p>												
<p>POINT DRAIN GRATES</p> <table border="0"> <tr> <td data-bbox="186 1438 365 1638"> <p>QUATRO</p>  </td> <td data-bbox="397 1438 576 1638"> <p>TILE INLAY</p>  </td> <td data-bbox="609 1438 787 1638"> <p>WEDGEWIRE</p>  </td> </tr> <tr> <td data-bbox="186 1669 365 1869"> <p>WAVE</p>  </td> <td data-bbox="397 1669 576 1869"> <p>SUBWAY</p>  </td> <td data-bbox="609 1669 787 1869"> <p>PERIMETER</p>  </td> </tr> </table>		<p>QUATRO</p> 	<p>TILE INLAY</p> 	<p>WEDGEWIRE</p> 	<p>WAVE</p> 	<p>SUBWAY</p> 	<p>PERIMETER</p> 	<p>LINEAR SHOWER DRAIN GRATES</p> <table border="0"> <tr> <td data-bbox="836 1438 1136 1522"> <p>QUATRO</p>  </td> <td data-bbox="1153 1438 1453 1522"> <p>TILE INLAY</p>  </td> </tr> <tr> <td data-bbox="836 1617 1136 1701"> <p>WEDGEWIRE</p>  </td> <td data-bbox="1153 1617 1453 1701"> <p>WAVE</p>  </td> </tr> <tr> <td data-bbox="836 1795 1136 1869"> <p>SUBWAY</p>  </td> <td data-bbox="1153 1795 1453 1869"> <p>PERIMETER</p>  </td> </tr> </table>		<p>QUATRO</p> 	<p>TILE INLAY</p> 	<p>WEDGEWIRE</p> 	<p>WAVE</p> 	<p>SUBWAY</p> 	<p>PERIMETER</p> 
<p>QUATRO</p> 	<p>TILE INLAY</p> 	<p>WEDGEWIRE</p> 													
<p>WAVE</p> 	<p>SUBWAY</p> 	<p>PERIMETER</p> 													
<p>QUATRO</p> 	<p>TILE INLAY</p> 														
<p>WEDGEWIRE</p> 	<p>WAVE</p> 														
<p>SUBWAY</p> 	<p>PERIMETER</p> 														

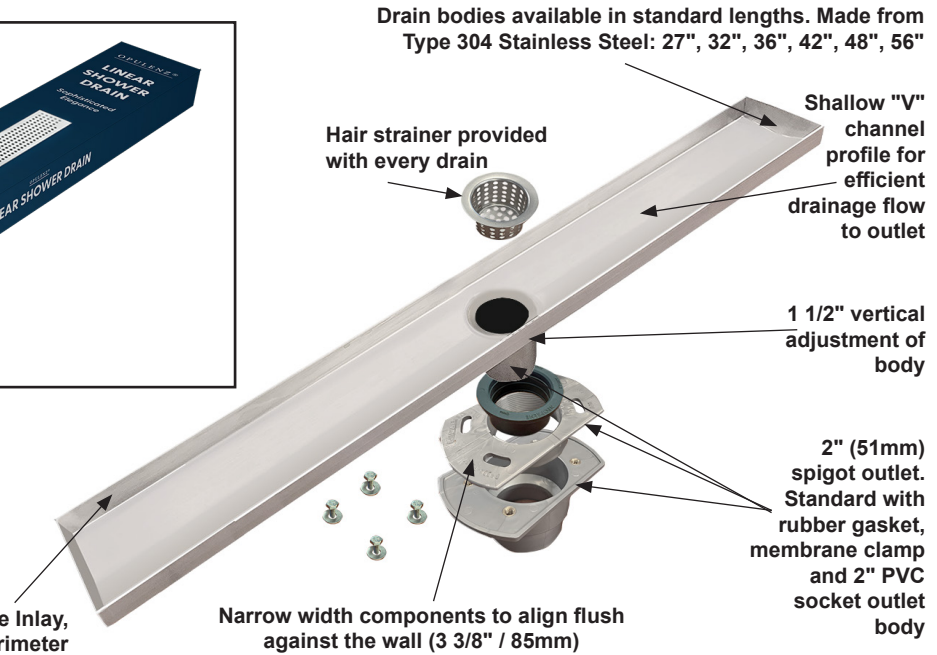
CALIFORNIA PROPOSITION 65 WARNING. This product contains chemicals known to the State of California to cause cancer and birth defects or other reproductive harm.

Stainless Steel Linear and Point Drain Features and Benefits

**STAINLESS STEEL LINEAR DRAIN - FEATURES AND BENEFITS
(P9000 Series - See Page 4)**



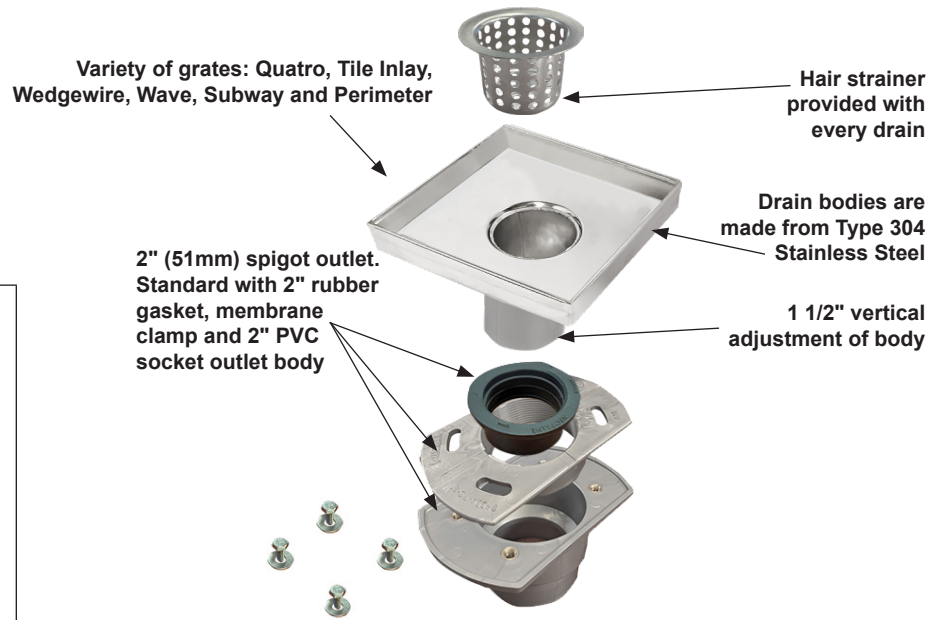
STAINLESS STEEL LINEAR DRAIN PACKAGING



**STAINLESS STEEL POINT DRAIN - FEATURES AND BENEFITS
(P9800 Series - See Page 6)**



STAINLESS STEEL POINT DRAIN PACKAGING



CALIFORNIA PROPOSITION 65 WARNING. This product contains chemicals known to the State of California to cause cancer and birth defects or other reproductive harm.

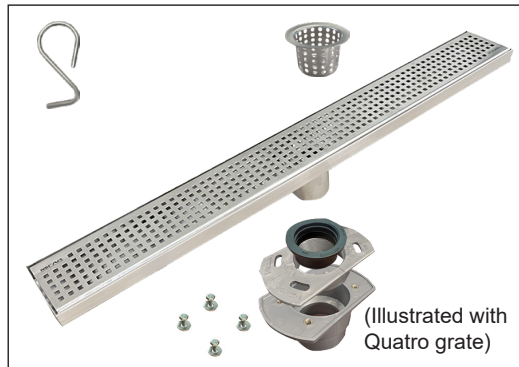
Visit www.mifab.com for the most recent product information. Design and dimensions are subject to modification. Prices do not include applicable taxes.

Toll Free: 1-800-465-2736, Fax: 1-773-341-3049
sales@mifab.com Canada Toll Free: 1-800-387-3880

MIFAB®, Inc., 1321 West 119th Street, Chicago, Illinois 60643-5109, USA
All sales subject to MIFAB®'s Terms and Warranties, please refer to page no. 18

P9000 – All Stainless Steel Shower Channels

The P9000 Series of Stainless Steel Shower Drains are tested and certified to the ASME A112.6.3 Standard and are listed with I.A.P.M.O.



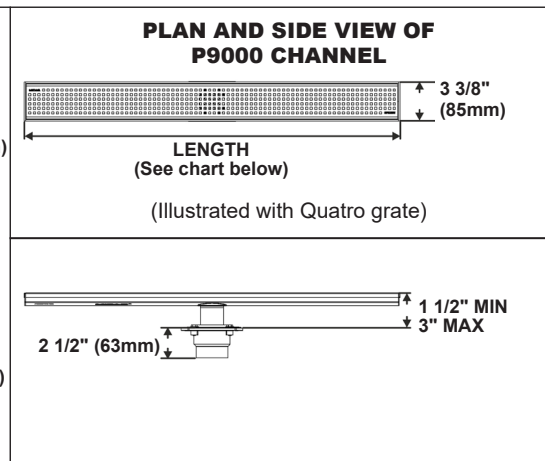
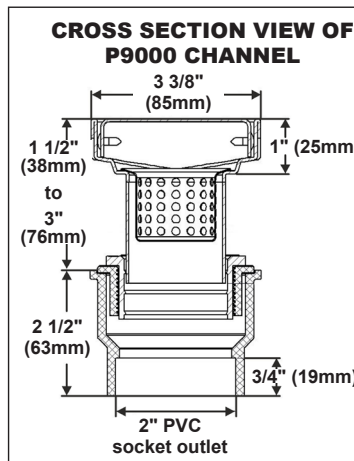
Features:

- Stainless Steel channels available in 27", 32", 36", 42", 48", & 56" lengths.
- Narrow width body to align flush against wall.
- Electro-polished Type 304 Stainless Steel grates in various designs.

Also includes:

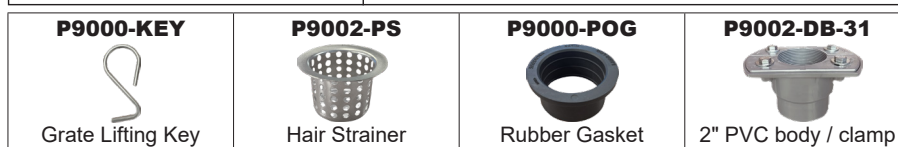
- 2" (51mm) spigot outlet.
- Grate lifting key.
- Hair strainer.
- Rubber gasket, membrane clamp and 2" PVC socket outlet body.

Optional: 2" no hub outlet cast iron body & membrane clamp. (See Page 15 for dimensions. Suffix -50 and add **\$110.00** to the List Price).



GRATE OPTIONS

- QUATRO**
- TILE INLAY (3/8" recess)**
- WEDGEWIRE**
- WAVE**
- SUBWAY**
- PERIMETER**



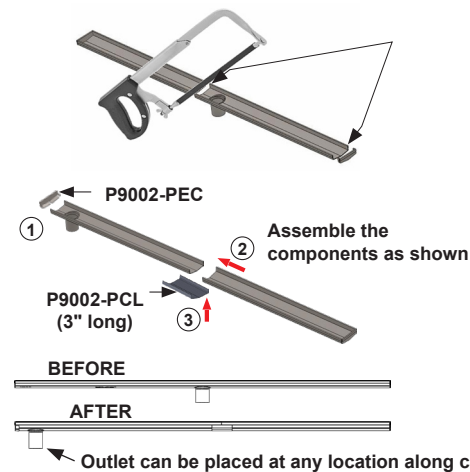
MODEL NUMBER	LENGTH	GRATE PATTERN	WEIGHT (lbs.)	LIST PRICE
P9000-QT-27	27"	Quatro	7.50	\$1,135.00
P9000-QT-32	32"	Quatro	7.50	\$1,157.00
P9000-QT-36	36"	Quatro	7.50	\$1,169.00
P9000-QT-42	42"	Quatro	7.50	\$1,216.00
P9000-QT-48	48"	Quatro	7.50	\$1,249.00
P9000-QT-56	56"	Quatro	7.50	\$1,329.00
P9000-TI-27	27"	Tile Inlay	7.50	\$1,135.00
P9000-TI-32	32"	Tile Inlay	7.50	\$1,157.00
P9000-TI-36	36"	Tile Inlay	7.50	\$1,169.00
P9000-TI-42	42"	Tile Inlay	7.50	\$1,216.00
P9000-TI-48	48"	Tile Inlay	7.50	\$1,249.00
P9000-TI-56	56"	Tile Inlay	7.50	\$1,329.00
P9000-WW-27	27"	Wedgewire	7.50	\$1,178.00
P9000-WW-32	32"	Wedgewire	7.50	\$1,200.00
P9000-WW-36	36"	Wedgewire	7.50	\$1,212.00
P9000-WW-42	42"	Wedgewire	7.50	\$1,258.00
P9000-WW-48	48"	Wedgewire	7.50	\$1,292.00
P9000-WW-56	56"	Wedgewire	7.50	\$1,370.00
P9000-WV-27	27"	Wave	7.50	\$1,178.00

MODEL NUMBER	LENGTH	GRATE PATTERN	WEIGHT (lbs.)	LIST PRICE
P9000-WV-32	32"	Wave	7.50	\$1,200.00
P9000-WV-36	36"	Wave	7.50	\$1,212.00
P9000-WV-42	42"	Wave	7.50	\$1,258.00
P9000-WV-48	48"	Wave	7.50	\$1,292.00
P9000-WV-56	56"	Wave	7.50	\$1,370.00
P9000-SB-27	27"	Subway	7.50	\$1,135.00
P9000-SB-32	32"	Subway	7.50	\$1,157.00
P9000-SB-36	36"	Subway	7.50	\$1,169.00
P9000-SB-42	42"	Subway	7.50	\$1,216.00
P9000-SB-48	48"	Subway	7.50	\$1,249.00
P9000-SB-56	56"	Subway	7.50	\$1,329.00
P9000-PD-27	27"	Perimeter	7.50	\$1,135.00
P9000-PD-32	32"	Perimeter	7.50	\$1,157.00
P9000-PD-36	36"	Perimeter	7.50	\$1,169.00
P9000-PD-42	42"	Perimeter	7.50	\$1,216.00
P9000-PD-48	48"	Perimeter	7.50	\$1,249.00
P9000-PD-56	56"	Perimeter	7.50	\$1,329.00

CALIFORNIA PROPOSITION 65 WARNING. This product contains chemicals known to the State of California to cause cancer and birth defects or other reproductive harm.

ADJUSTABLE BOTTOM OUTLET INSERTS AND END CAPS FOR THE P9000 SERIES OF STAINLESS STEEL LINEAR DRAINS

RELOCATE THE BOTTOM OUTLET OF THE STAINLESS STEEL CHANNEL



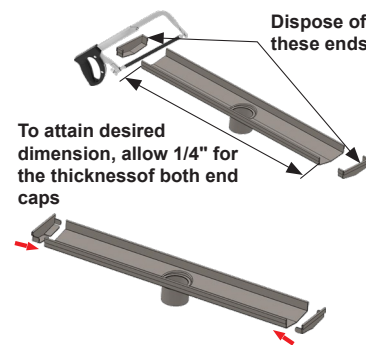
- Measure the location of the outlet relative to the ends of the channel.
- Cut the channel a minimum of 3" from the center of the outlet using a hacksaw with 32 tooth/in blade and file off the rough edges.
- Cut the end of the channel which contains the drain.
- Gently file back the rough edges. Use alcohol to clean up the cut surfaces.



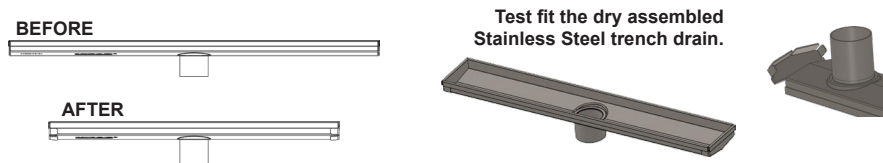
- Place channel upside down on a flat surface; to ensure alignment. Attach the channel joint connector and end cap using Sikaflex 1A.
- After assembly, wipe the extra sealant away with alcohol and allow for at least 8 hours to cure before handling.



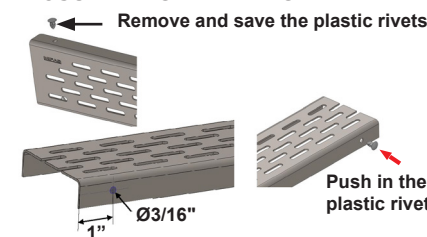
SHORTEN THE LENGTH OF THE STAINLESS STEEL CHANNEL WITH CENTRAL BOTTOM OUTLET



- Measure the location of the outlet relative to the ends of the channel.
- Cut both ends of channel, maintaining the correct bottom outlet location, using a hacksaw with 32 tooth/in blade.
- Place the channel upside down on a flat surface; to ensure alignment. Attach the channel end caps using Sikaflex 1A. After assembly, wipe the extra sealant away with alcohol and allow at least 8 hours to cure before handling.
- Dispose of the two cut ends. Gently file back the cut rough edges and wipe worked surfaces with alcohol.

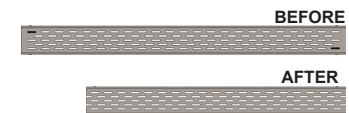


ADJUST THE GRATE LENGTH

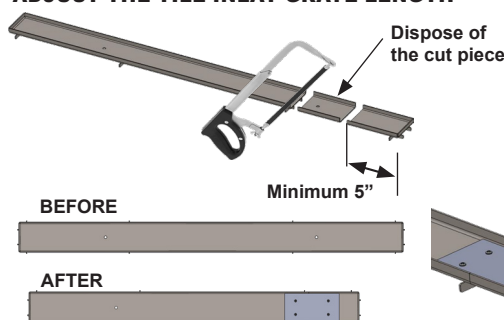


Measure and cut the extra length symmetrical from each end of the grate. Gently file back the cut rough edges.

- On each of the four corners; 1" from the end of the grate and center of its' height; drill holes using a 3/16" drill bit.

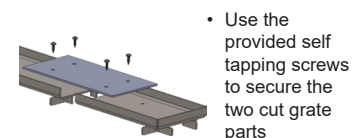


ADJUST THE TILE INLAY GRATE LENGTH



P9000-PG-TI-GC

- Use the P9000-PG-TI-GC plate with preset holes to drill the tile inlay grate.
- Use a 1/8" drill bit



MODEL NUMBER	LIST PRICE
P9002-PCL	\$10.50, each piece
P9002-PEC	\$10.50, each piece
P9000-PG-TI-GC	\$10.50, each piece

CALIFORNIA PROPOSITION 65 WARNING. This product contains chemicals known to the State of California to cause cancer and birth defects or other reproductive harm.

Visit www.mifab.com for the most recent product information. Design and dimensions are subject to modification. Prices do not include applicable taxes.

Toll Free: 1-800-465-2736, Fax: 1-773-341-3049
 sales@mifab.com Canada Toll Free: 1-800-387-3880

MIFAB®, Inc., 1321 West 119th Street, Chicago, Illinois 60643-5109, USA
 All sales subject to MIFAB®'s Terms and Warranties, please refer to page no. 18

P9800 – Stainless Steel Point Drains

Features:

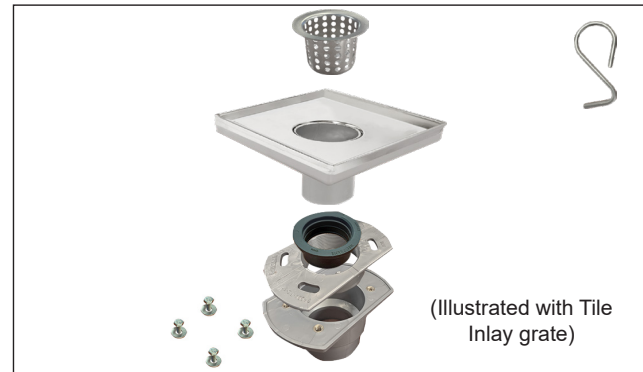
- 6" x 6" Stainless Steel body
- Electro-polished Type 304 Stainless Steel grates in various designs.

Also includes:

- 2" (51mm) spigot outlet.
- Grate lifting key.
- Hair strainer.
- Rubber gasket, membrane clamp and 2" PVC socket outlet body.

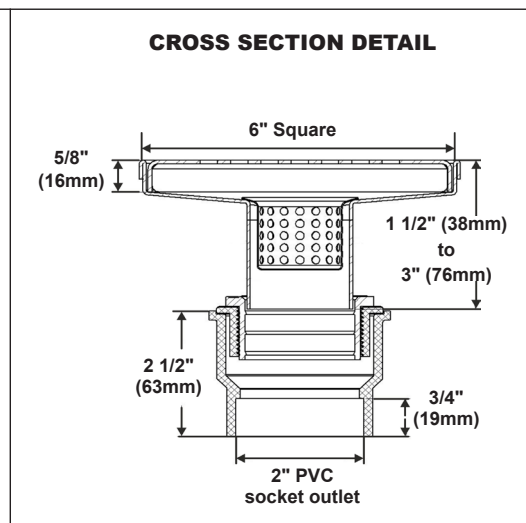
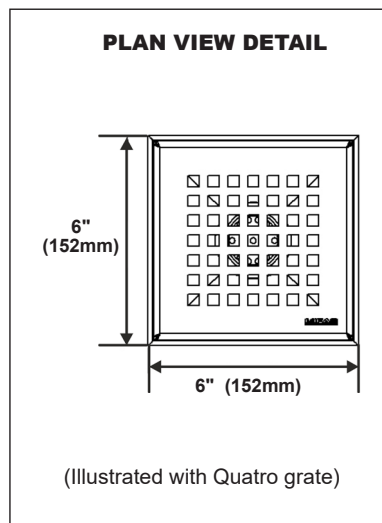


The P9800 Series of Stainless Steel Point Drains are tested and certified to the ASME A112.6.3 Standard and are listed with I.A.P.M.O.



Optional: 2" no hub outlet cast iron body & membrane clamp. (See Page 15 for dimensions. Suffix -50 and add \$110.00 to the List Price).

GRATE OPTIONS	
QUATRO	
TILE INLAY (3/8" recess)	
WEDGEWIRE	
WAVE	
SUBWAY	
PERIMETER	



P9000-KEY	P9002-PS	P9000-POG	P9002-DB-31
Grate Lifting Key	Hair Strainer	Rubber Gasket	2" PVC body / clamp

MODEL NUMBER	DESCRIPTION	GRATE PATTERN	WEIGHT (lbs.)	LIST PRICE
P9802-QT	Type 304 Stainless Steel body / grate	Quatro	2.00	\$221.00
P9802-TI	Type 304 Stainless Steel body / grate	Tile Inlay	2.00	\$221.00
P9802-WW	Type 304 Stainless Steel body / grate	Wedgewire	2.00	\$221.00
P9802-WV	Type 304 Stainless Steel body / grate	Wave	2.00	\$221.00
P9802-SB	Type 304 Stainless Steel body / grate	Subway	2.00	\$221.00
P9802-PD	Type 304 Stainless Steel body / grate	Perimeter	2.00	\$221.00

CALIFORNIA PROPOSITION 65 WARNING. This product contains chemicals known to the State of California to cause cancer and birth defects or other reproductive harm.

Project References



CALIFORNIA PROPOSITION 65 WARNING. This product contains chemicals known to the State of California to cause cancer and birth defects or other reproductive harm.

Visit www.mifab.com for the most recent product information. Design and dimensions are subject to modification. Prices do not include applicable taxes.

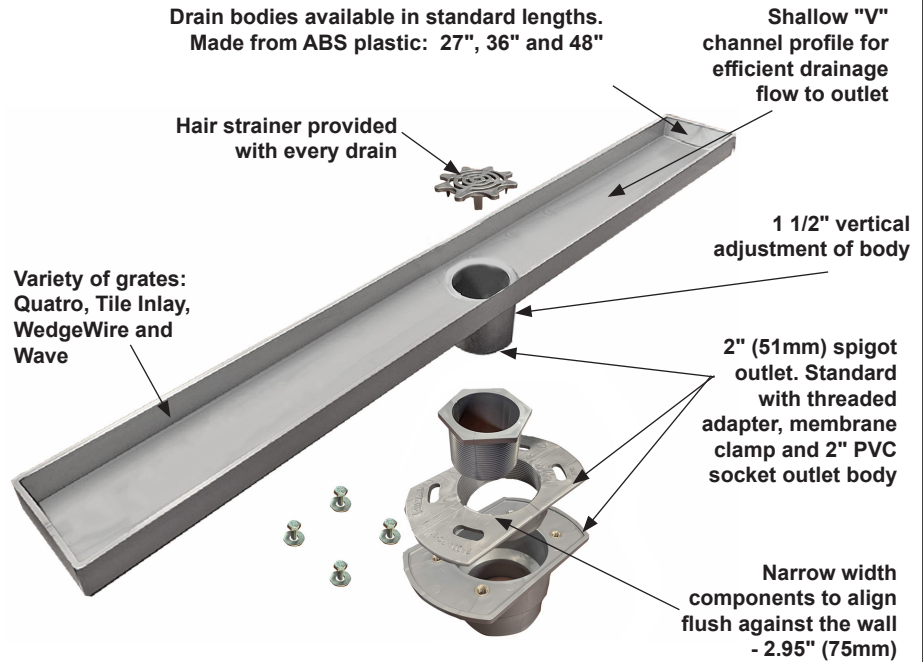
Toll Free: 1-800-465-2736, Fax: 1-773-341-3049
sales@mifab.com Canada Toll Free: 1-800-387-3880

MIFAB®, Inc., 1321 West 119th Street, Chicago, Illinois 60643-5109, USA
All sales subject to MIFAB®'s Terms and Warranties, please refer to page no. 18

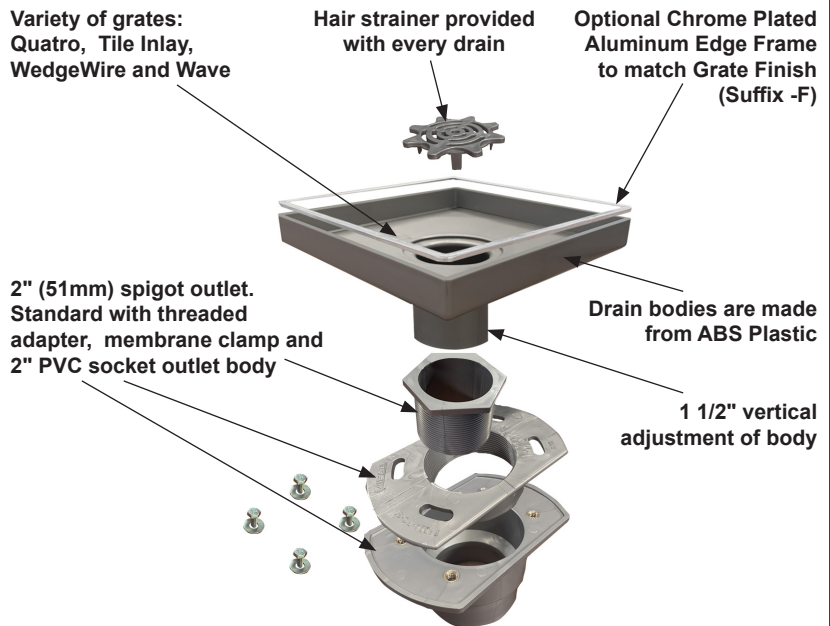
ABS Linear and Point Drain Features and Benefits



ABS LINEAR DRAIN - FEATURES AND BENEFITS (P9100 Series - See Page 9)



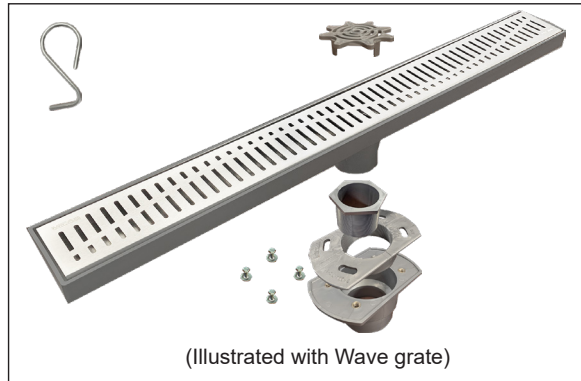
ABS POINT DRAIN - FEATURES AND BENEFITS (P9600 & P9700 Series - See Pages 11, 12)



CALIFORNIA PROPOSITION 65 WARNING. This product contains chemicals known to the State of California to cause cancer and birth defects or other reproductive harm.

P9100 – Plastic Edge Shower Channels

The P9100 Series of Plastic Shower Drains are tested and certified to the ASME A112.6.3 Standard and are listed with I.A.P.M.O.



Features:

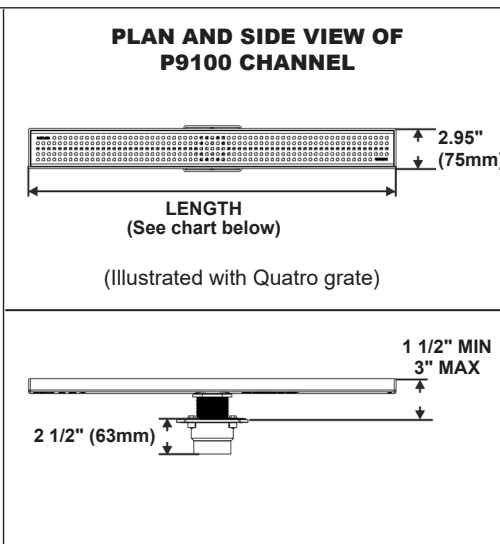
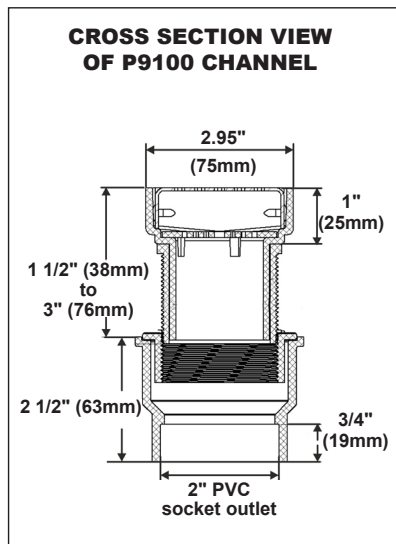
- ABS channels available in 27", 36" and 48" lengths.
- Narrow width body to align flush against wall.
- Electro-polished Type 304 Stainless Steel grates in various designs.

Also includes:

- 2" (51mm) spigot outlet.
- Grate lifting key.
- Hair strainer.
- Threaded adapter, membrane clamp and 2" PVC socket outlet body.



Optional: 2" no hub outlet cast iron body and membrane clamp. (See Page 15 for dimensions. Suffix -50 and add \$110.00 to the List Price).



GRATE OPTIONS

- QUATRO**
- TILE INLAY**
(3/8" recess)
- WAVE**
- WEDGEWIRE**



MODEL NUMBER	LENGTH	GRATE PATTERN	WEIGHT (lbs.)	LIST PRICE
P9102-27-QT	27"	Quatro	2.50	\$529.00
P9102-36-QT	36"	Quatro	3.00	\$651.00
P9102-48-QT	48"	Quatro	3.75	\$700.00
P9102-27-TI	27"	Tile Inlay	2.50	\$529.00
P9102-36-TI	36"	Tile Inlay	3.00	\$651.00
P9102-48-TI	48"	Tile Inlay	3.75	\$700.00
P9102-27-WV	27"	Wave	2.50	\$572.00
P9102-36-WV	36"	Wave	3.00	\$694.00
P9102-48-WV	48"	Wave	3.75	\$742.00
P9102-27-WW	27"	Wedgewire	2.50	\$596.00
P9102-36-WW	36"	Wedgewire	2.50	\$718.00
P9102-48-WW	48"	Wedgewire	2.50	\$772.00

CALIFORNIA PROPOSITION 65 WARNING. This product contains chemicals known to the State of California to cause cancer and birth defects or other reproductive harm.

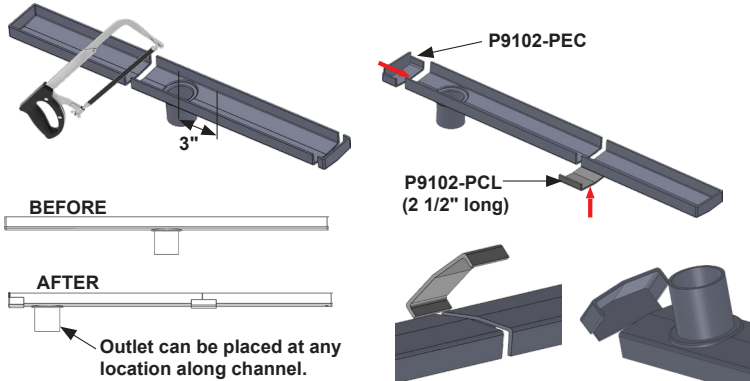
Visit www.mifab.com for the most recent product information. Design and dimensions are subject to modification. Prices do not include applicable taxes.

Toll Free: 1-800-465-2736, Fax: 1-773-341-3049
sales@mifab.com Canada Toll Free: 1-800-387-3880

MIFAB®, Inc., 1321 West 119th Street, Chicago, Illinois 60643-5109, USA
All sales subject to MIFAB's Terms and Warranties, please refer to page no. 18

ADJUSTABLE BOTTOM OUTLET INSERTS AND END CAPS FOR THE P9100 SERIES OF PLASTIC LINEAR DRAINS

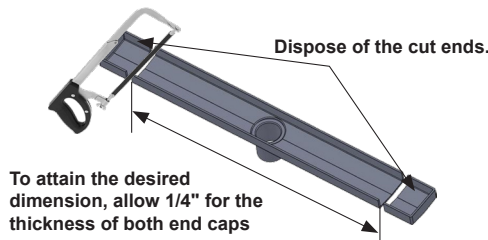
RELOCATE THE BOTTOM OUTLET OF THE ABS CHANNEL



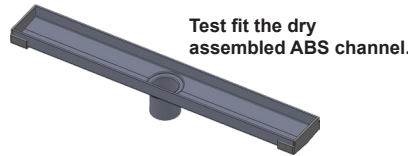
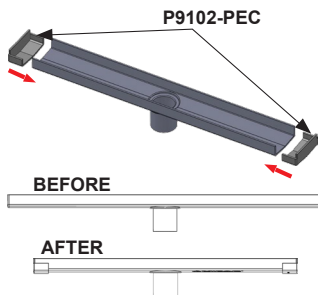
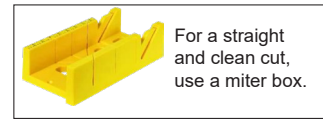
- Measure the location of the outlet relative to the ends of the channel.
- Cut the channel a minimum of 3" from the center of the outlet using a hacksaw with 32 tooth/in blade and file off the rough edges.
- Cut the end of the channel that contains the drain.
- Place channel upside down on a flat surface; to ensure alignment. Attach the channel joint connector and end cap using primer and ABS cement.
- After assembly, wipe the extra sealant away with alcohol and allow at least 5 minutes to cure before handling.



SHORTEN THE LENGTH OF THE ABS CHANNEL WITH CENTRAL BOTTOM OUTLET

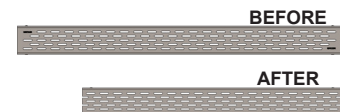
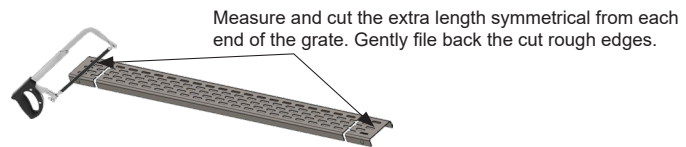
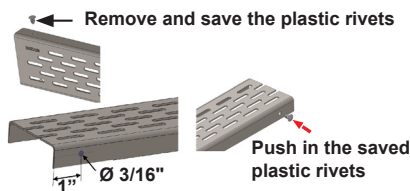


- Measure the location of the outlet relative to the ends of the channel.
- Cut both ends of the channel, maintaining the correct bottom outlet location, using a hacksaw with 32 tooth/in blade.



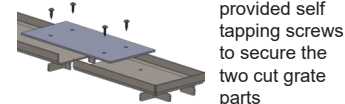
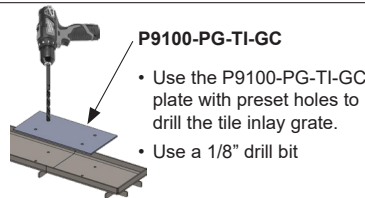
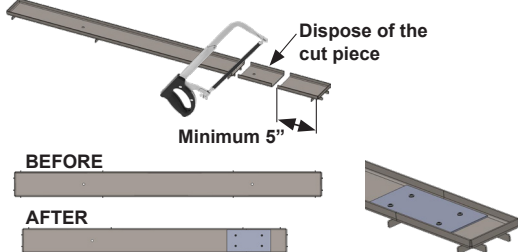
- Test fit the dry assembled ABS channel.**
- Place channel upside down on a flat surface; to ensure alignment. Attach the end caps using primer and ABS cement.
 - After assembly, wipe the extra sealant away with alcohol and allow at least 5 minutes to cure before handling.

ADJUST THE GRATE LENGTH



- On each of the four corners; 1" from the end of the grate and center of its height; drill holes using a 3/16" drill bit.

ADJUST THE TILE INLAY GRATE LENGTH



- Use the provided self tapping screws to secure the two cut grate parts

MODEL NUMBER	LIST PRICE
P9102-PCL	\$10.50, each piece
P9102-PEC	\$10.50, each piece
P9100-PG-TI-GC	\$10.50, each piece

CALIFORNIA PROPOSITION 65 WARNING. This product contains chemicals known to the State of California to cause cancer and birth defects or other reproductive harm.

P9600 - 2" Outlet – Plastic and Finished Edge Frame Point Drains

Features:

- 6" x 6" ABS body
- Electro-polished Type 304 Stainless Steel grates in various designs.

Also includes:

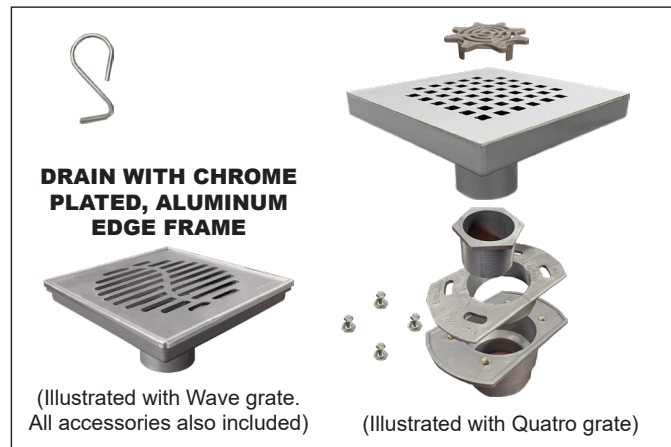
- 2" (51mm) spigot outlet.
- Grate lifting key.
- Hair strainer.
- Threaded adapter, membrane clamp and 2" PVC socket outlet body.



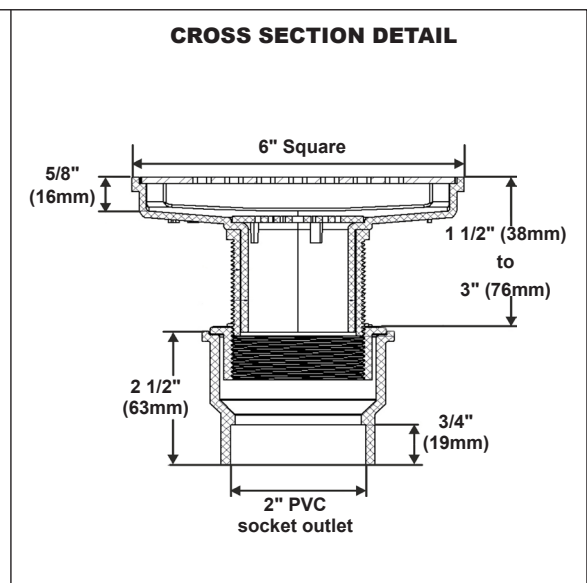
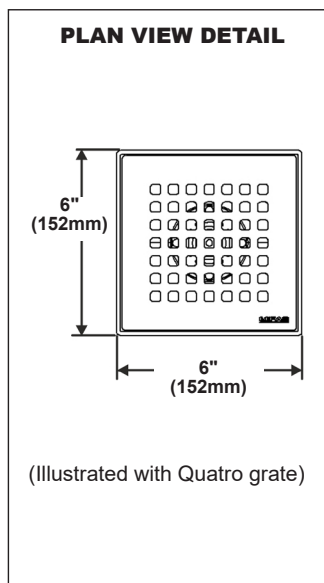
Optional: 2" no hub outlet cast iron body and membrane clamp. (See Page 15 for dimensions).
Suffix -50 and add **\$110.00** to the List Price).

- Chrome plated, aluminum edge frame.
(See below -F Models)

The P9600 Series of Plastic and Finished Edge Frame Point Drains are tested and certified to the ASME A112.6.3 Standard and are listed with I.A.P.M.O.



GRATE OPTIONS	
QUATRO	
TILE INLAY (3/8" recess)	
WAVE	
WEDGEWIRE	



P9000-KEY	P9002-PS-31	P9002-ADP-31	P9002-DB-31
Grate Lifting Key	Hair Strainer	Threaded Adapter	2" PVC body / clamp

MODEL NUMBER	DESCRIPTION	GRATE PATTERN	WEIGHT (lbs.)	LIST PRICE
P9602-QT	Plastic Edge	Quatro	0.75	\$133.00
P9602-TI	Plastic Edge	Tile Inlay	0.75	\$133.00
P9602-WV	Plastic Edge	Wave	0.75	\$133.00
P9602-WW	Plastic Edge	Wedgewire	0.75	\$144.00
P9602-F-QT	Chrome Plated, Aluminum Edge Frame	Quatro	0.75	\$199.00
P9602-F-TI	Chrome Plated, Aluminum Edge Frame	Tile Inlay	0.75	\$199.00
P9602-F-WV	Chrome Plated, Aluminum Edge Frame	Wave	0.75	\$199.00
P9602-F-WW	Chrome Plated, Aluminum Edge Frame	Wedgewire	0.75	\$210.00

CALIFORNIA PROPOSITION 65 WARNING. This product contains chemicals known to the State of California to cause cancer and birth defects or other reproductive harm.

Visit www.mifab.com for the most recent product information. Design and dimensions are subject to modification. Prices do not include applicable taxes.

Toll Free: 1-800-465-2736, Fax: 1-773-341-3049
sales@mifab.com Canada Toll Free: 1-800-387-3880

MIFAB®, Inc., 1321 West 119th Street, Chicago, Illinois 60643-5109, USA
All sales subject to MIFAB's Terms and Warranties, please refer to page no. 18

P9700 - 110mm Outlet – Plastic and Finished Edge Frame Point Drains

The P9700 Series of Plastic and Finished Edge Frame Point Drains are tested and certified to the ASME A112.6.3 Standard and are listed with I.A.P.M.O.

Features:

- Electro-polished Type 304 Stainless Steel grates in various designs.

Also includes:

- 110mm outlet.
- Grate lifting key.
- Hair strainer.

Optional:

- Chrome plated, aluminum edge frame. (See below -F Models)

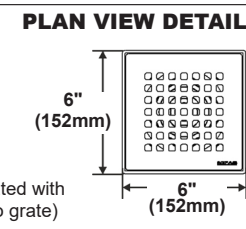
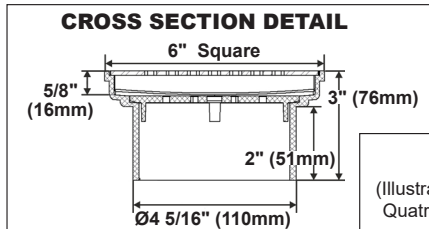


(Illustrated with Quatro grate)



(Illustrated with Tile Inlay grate and with chrome plated, aluminum edge frame)

GRATE OPTIONS	
QUATRO	
TILE INLAY (3/8" recess)	
WAVE	
WEDGEWIRE	



(Illustrated with Quatro grate)



Grate Lifting Key



Hair Strainer

MODEL NUMBER	DESCRIPTION	GRATE PATTERN	WEIGHT (lbs.)	LIST PRICE
P9704-QT	Plastic Edge	Quatro	0.75	\$144.00
P9704-TI	Plastic Edge	Tile Inlay	0.75	\$144.00
P9704-WV	Plastic Edge	Wave	0.75	\$144.00
P9704-WW	Plastic Edge	Wedgewire	0.75	\$155.00
P9704-F-QT	Chrome Plated, Aluminum Edge Frame	Quatro	0.75	\$210.00
P9704-F-TI	Chrome Plated, Aluminum Edge Frame	Tile Inlay	0.75	\$210.00
P9704-F-WV	Chrome Plated, Aluminum Edge Frame	Wave	0.75	\$210.00
P9704-F-WW	Chrome Plated, Aluminum Edge Frame	Wedgewire	0.75	\$221.00

P9900 - 110mm Outlet - Plastic and Finished Edge Frame Cleanout

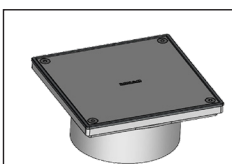
The P9900 Series of Plastic and Finished Edge Frame Cleanouts are tested and certified to the ASME A112.36.2M Standard and are listed with I.A.P.M.O.

Features:

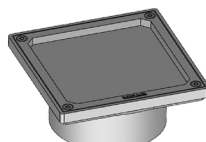
- Electro-polished Type 304 Stainless Steel gasketed cover with four point lockdown, 110mm outlet.

Optional:

- Chrome plated, aluminum edge frame. (See below -F Models).

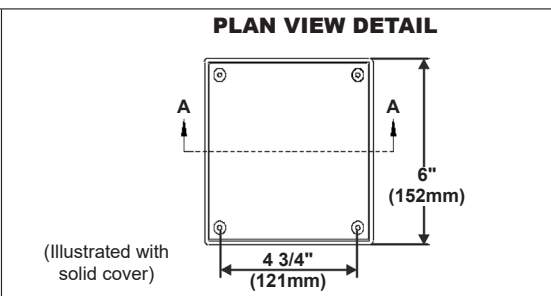
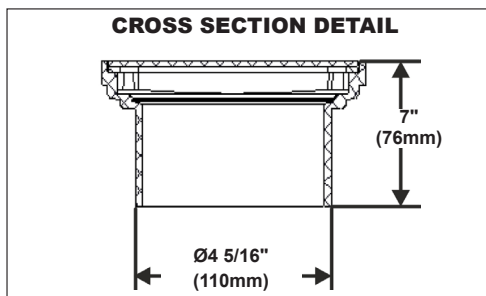


(Illustrated with solid cover)



(Illustrated with Tile Inlay cover)

COVER OPTIONS	
SOLID	
TILE INLAY (3/8" recess)	

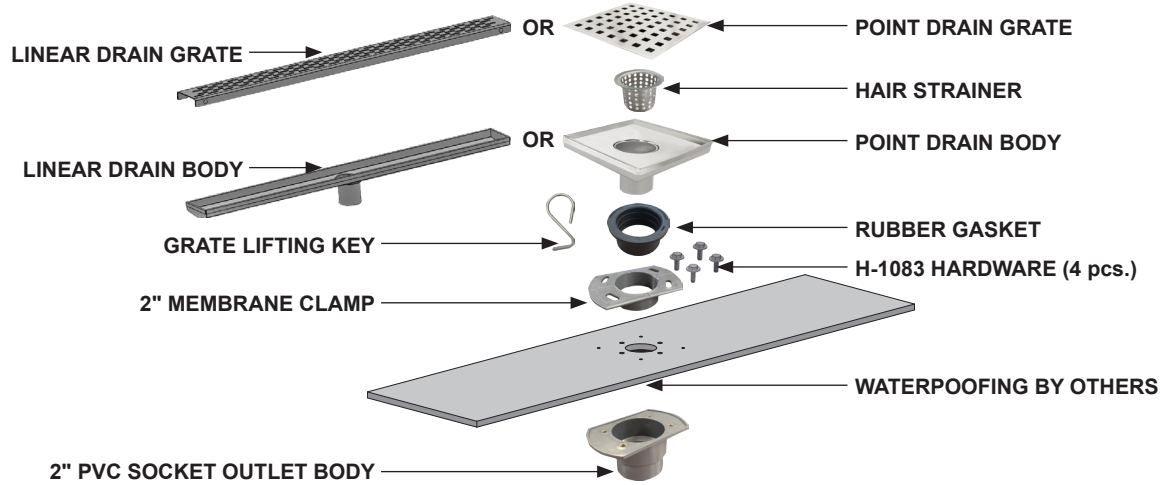


(Illustrated with solid cover)

MODEL NUMBER	DESCRIPTION	COVER DESIGN	WEIGHT (lbs.)	LIST PRICE
P9904	Plastic Edge	Solid	1.00	\$166.00
P9904-TI	Plastic Edge	Tile Inlay	1.00	\$166.00
P9904-F	Chrome Plated, Aluminum Edge Frame	Solid	1.00	\$232.00
P9904-TI-F	Chrome Plated, Aluminum Edge Frame	Tile Inlay	1.00	\$232.00

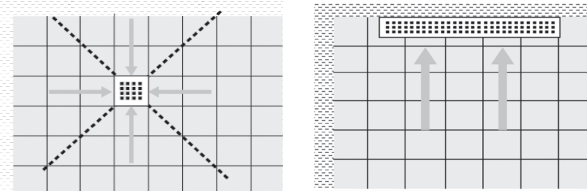
CALIFORNIA PROPOSITION 65 WARNING. This product contains chemicals known to the State of California to cause cancer and birth defects or other reproductive harm.

Stainless Steel Linear and Point Drain Installation Guide



1) TYPICAL SHOWER DRAIN PLACEMENT:

The shower drain can be installed where current piping is or to a preferred location by moving the pipework.



2) INSTALL DRAIN MEMBRANE FLANGE:

After relocation of the pipework, if desired, connect the 2" PVC socket outlet body to the rough-in pipe. Ensure that it is installed to the correct height.

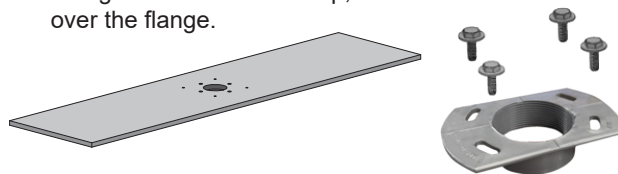


3) SITE PREPARATION:

Add flooring mortar or similar product to desired height.

4) WATERPROOF FLOOR:

Install your preferred waterproofing membrane (by others) over the entire floor being sure to remove any obstruction that may be over the outlet pipe. Using the membrane clamp, secure the membrane over the flange.



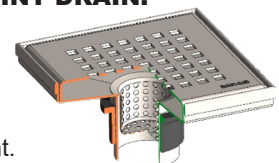
5) INSTALL RUBBER GASKET:

Insert the rubber gasket into the membrane clamp. Part # P9000-POG - \$10.50 List Price



6) INSERT LINEAR OR POINT DRAIN:

Push linear or point drain 2" (51mm) spigot outlet into the rubber gasket inside the membrane clamp. Adjust to finished floor height.



7) MORTAR BED:

Place mortar bed on top of membrane allowing space for thin set and tile/ vinyl flooring material. Let cure. Install the thin set and flooring material ensuring adequate slope of floor to the shower drain outlet. **It is recommended that the floor have a 2% slope to outlet.**

TOP VIEW



BOTTOM VIEW



If the 2" PVC socket outlet body with membrane flange is not used, MIFAB recommends the MIFAB # MI-HUB-TR-215 transition no hub coupling to connect the 2" (51mm) spigot outlet to the 2" PVC / C.I. drain pipe. This coupling is not included and is an additional cost.

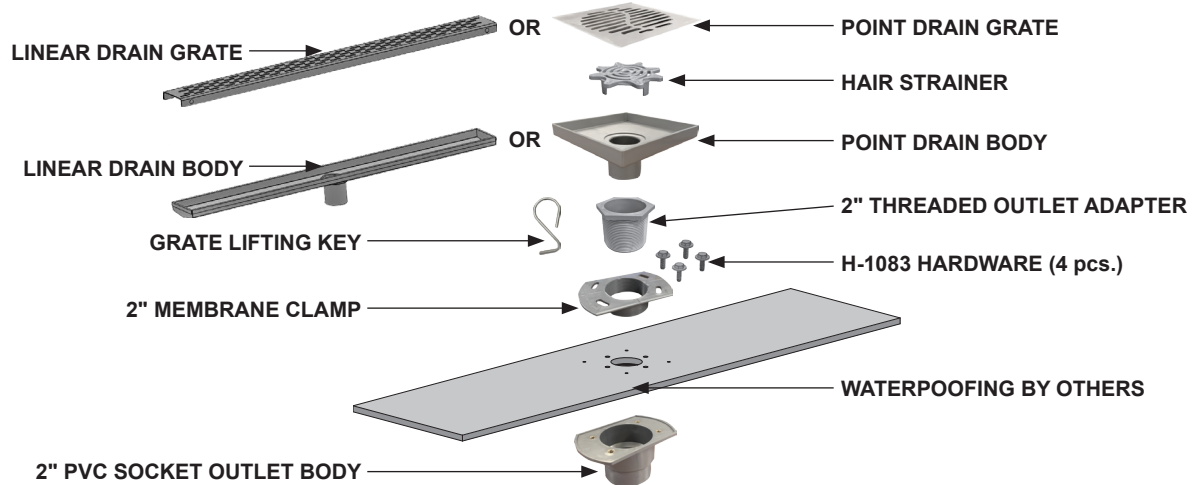
CALIFORNIA PROPOSITION 65 WARNING. This product contains chemicals known to the State of California to cause cancer and birth defects or other reproductive harm.

Visit www.mifab.com for the most recent product information. Design and dimensions are subject to modification. Prices do not include applicable taxes.

Toll Free: 1-800-465-2736, Fax: 1-773-341-3049
sales@mifab.com Canada Toll Free: 1-800-387-3880

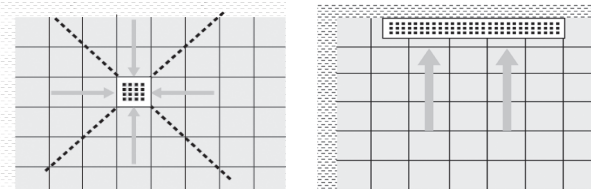
MIFAB®, Inc., 1321 West 119th Street, Chicago, Illinois 60643-5109, USA
All sales subject to MIFAB's Terms and Warranties, please refer to page no. 18

ABS Linear and Point Drain (2" outlet) Installation Guide



1) TYPICAL SHOWER DRAIN PLACEMENT:

The shower drain can be installed where current piping is or to a preferred location by moving the pipework.



2) INSTALL DRAIN MEMBRANE FLANGE:

After relocation of the pipework, if desired, connect the 2" PVC socket outlet body to the rough-in pipe. Ensure that it is installed to the correct height.

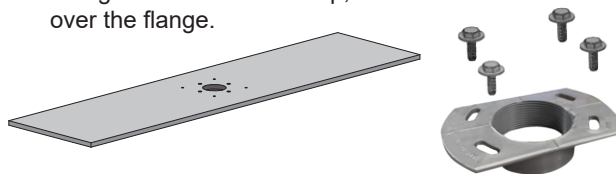


3) SITE PREPARATION:

Add flooring mortar or similar product to desired height.

4) WATERPROOF FLOOR:

Install your preferred waterproofing membrane (by others) over the entire floor being sure to remove any obstruction that may be over the outlet pipe. Using the membrane clamp, secure the membrane over the flange.



5) INSTALL COUPLING:

Thread the 2" adapter into the membrane clamp.



6) INSERT LINEAR OR POINT DRAIN:

Push linear or point drain 2" (51mm) spigot outlet into the threaded adapter inside the membrane clamp. Adjust to finished floor height.



7) MORTAR BED:

Place mortar bed on top of membrane allowing space for thin set and tile/ vinyl flooring material. Let cure. Install the thin set and flooring material ensuring adequate slope of floor to the shower drain outlet. **It is recommended that the floor have a 2% slope to outlet.**

TOP VIEW



BOTTOM VIEW



If the PVC socket outlet body with membrane flange is not used, MIFAB recommends the MIFAB # MI-HUB-TR-215 transition no hub coupling to connect the 2" (51mm) spigot outlet to the 2" PVC / C.I. drain pipe. This coupling is not included and is an additional cost.

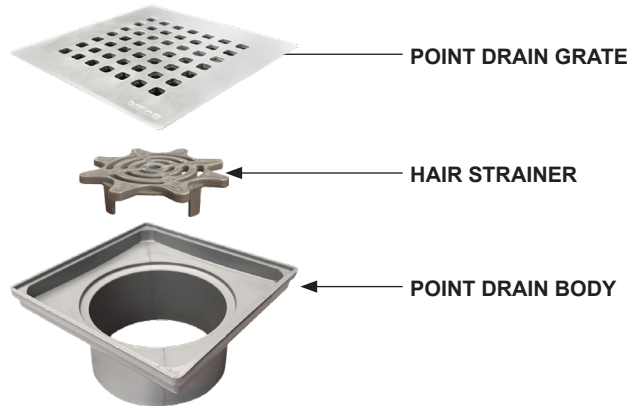
CALIFORNIA PROPOSITION 65 WARNING. This product contains chemicals known to the State of California to cause cancer and birth defects or other reproductive harm.

P9700 / P9900 Series (110mm outlet) Point Drain / Cleanout Installation Guide

GRATE LIFTING KEY



Note: The P9900 cleanout has the same installation method as shown for the P9700 drain.



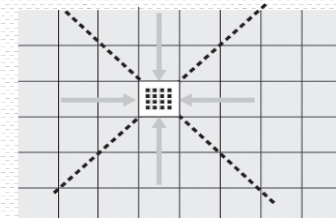
POINT DRAIN GRATE

HAIR STRAINER

POINT DRAIN BODY

1) TYPICAL POINT DRAIN PLACEMENT:

The point drain can be installed where current piping is or to a preferred location by moving the pipework.



2) SITE PREPARATION:

Add flooring mortar or similar product to desired height.

3) INSTALL POINT DRAIN:

Connect drain body to outlet pipe. Adjust to finished floor height.



4) MORTAR BED:

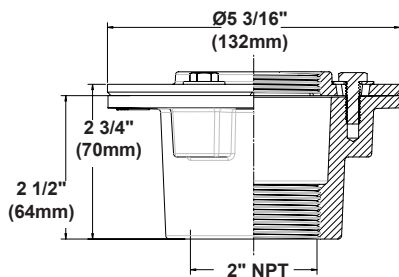
Place mortar bed on top of membrane allowing space for thin set and tile/ vinyl flooring material. Let cure. Install the thin set and flooring material ensuring adequate slope of floor to the shower drain outlet. **It is recommended that the floor have a 2% slope to outlet.**

MIFAB recommends the MIFAB # MI-FLEX-400 flexible rubber coupling to connect the 110mm outlet to the drain pipe. This coupling is not included and is an additional cost.

MI-FLEX-400 illustrated



Optional 2" No Hub Cast Iron body with membrane clamp and hardware



MIFAB # F1212TC-PB-50. \$111.00 List Price



F1212TC-PB-50

CALIFORNIA PROPOSITION 65 WARNING. This product contains chemicals known to the State of California to cause cancer and birth defects or other reproductive harm.

Visit www.mifab.com for the most recent product information. Design and dimensions are subject to modification. Prices do not include applicable taxes.

Toll Free: 1-800-465-2736, Fax: 1-773-341-3049
sales@mifab.com Canada Toll Free: 1-800-387-3880

MIFAB®, Inc., 1321 West 119th Street, Chicago, Illinois 60643-5109, USA
All sales subject to MIFAB's Terms and Warranties, please refer to page no. 18

Terms and Warranties

WHOLESALE DISCOUNT:

Contact MIFAB® or your local representative for your applicable discount structure.

PLUMBING WHOLESALE FREIGHT ALLOWANCE: Ex Works, MIFAB's Chicago, Illinois Factory or Manufacturer Representative's warehouse with full motor freight allowed on shipments of \$3500.00 Net or more, within the continental U.S.A. and Canada, except Alaska, Hawaii and Puerto Rico. For Alaska, full motor freight is allowed on shipments of \$10,000 Net or more. MIFAB reserves the right to choose the carrier and route of shipment. Shipping dates are estimates and time of delivery is not the essence of the sale of the contract. Therefore, under no circumstances will MIFAB® have any responsibility on account of any delays in manufacture, transportation, or otherwise. Additional freight services such as construction site delivery, lift gate delivery service, re-consigned freight or notification charges, are not included in full freight allowance terms, and will result in additional freight charges.

QUOTATION TERMS: List Price and discount protected for 30 days from date issued by MIFAB®. Orders received within this period must be released for shipment within 30 days from date of purchase order, otherwise, prices will be those that are in effect at the time of shipment.

PAYMENT TERMS: Terms of payment are Net 30 days from the date of the invoice. All pricing in United States currency except for sales to Canadian customers which are priced in Canadian dollars. The Buyer shall pay all sales, consumers, and / or any other applicable taxes. Past due accounts will be subject to a 2% per month service charge from the date of the invoice. If any proceedings be instructed by or against Buyer under any bankruptcy or insolvency law, or if Buyer shall fail to make timely payment on this or any other order, or if, in MIFAB's judgment, Buyer's financial situation justifies such action, MIFAB® may, at its election, require payment in advance or cancel the order as to any unshipped item and require payment of its reasonable cancellation charges. If Buyer delays completion of manufacture, MIFAB® may elect to require payment according to percentage of completion. Equipment held for Buyer shall be at Buyer's risk and expense. In all cases, regardless of partial payment, title to the Products shall remain with MIFAB® until payment for the Products (including any notes given therefore) has been made in full. Should legal action be necessary to enforce payment of an unpaid invoice, the Buyer will assume full responsibility for any court costs and reasonable attorney fees. All orders subject to credit check and approval prior to shipment. Confirmed irrevocable letter of credit or cash in advance of shipment is required for accounts without an established line of credit. Minimum invoice amount is \$100.00. MIFAB® reserves the right to apply a minimum order charge to equal \$100.00. MIFAB's Accounting Department must be notified of potential pricing errors within 30 days of the invoice date. Any terms and conditions stated on Buyer's orders which are inconsistent with MIFAB's quotation and Terms and Warranties shall be of no effect.

RETURNED GOODS RESTOCKING CHARGE: Standard product may be returned within a one year period only with written permission from MIFAB®. All products in catalog are not considered Standard. Standard product to be determined by MIFAB®. Returned goods are subject to a 25% restocking charge, plus cost of reconditioning, if necessary, to make material saleable. Material must be returned to MIFAB® freight prepaid only after written permission from MIFAB® to accept the returned material. Buyer must provide copy of the original invoice on which the material was charged. The original outgoing freight cost to ship the order will be deducted from the credit. Credit allowance will be in the form of merchandise credit only-not cash credit which must be used within 12 months of the date of issue. The value of a return must total \$100.00 to qualify for credit allowance. No credit will be allowed for discontinued, or made to order items. Products designated non stock and / or that have been specially made are not subject to return or cancellation.

LIMITED WARRANTY: MIFAB® warrants each product against defects in material and workmanship for a period of one year from the date of original shipment. In the event of such defects within the warranty period, MIFAB® will, at its option, replace or recondition the product without charge. This shall constitute the exclusive remedy for breach of warranty, and MIFAB® shall not be responsible for any incidental or consequential damages, including, without limitation, damages or other costs resulting from labor charges, delays, vandalism, negligence, fouling caused by foreign material, damage from adverse water conditions, chemicals, or any other circumstances over which MIFAB® has no control. This warranty shall be invalidated by any abuse, misuse, misapplication or improper installation of the product.

MIFAB® MAKES NO OTHER WARRANTIES EXPRESSED OR IMPLIED AS PROVIDED IN THIS LIMITED WARRANTY.

ILLUSTRATIONS OR TYPICAL INSTALLATIONS: The typical installations for various products in each product section are intended to illustrate the products and their options. Under no circumstances are they to be construed as recommended installation procedures. Consult local codes and project specifications for proper installation instructions.

ALL SALES SUBJECT TO MIFAB's TERMS And WARRANTIES.

NOTE: Prices and terms are subject to change without notice and supersede all previous quotations. The right is reserved to change or modify product design or construction without prior notice and without incurring any obligation to make similar changes and modifications to product previously or subsequently sold. Contact MIFAB® for any clarification.

CONTENTS © MIFAB® INC. Copyright 2025

CALIFORNIA PROPOSITION 65 WARNING. This product contains chemicals known to the State of California to cause cancer and birth defects or other reproductive harm.

MIFAB CATALOGS



MPB-2025-USA
SPECIFICATION DRAINAGE PRODUCTS (LIT-067)



CLPB-2025
LIGHT COMMERCIAL PRODUCTS (LIT-048)



AD-2024-USA
ACCESS DOORS (LIT-043)



BEECO-2025
BACKFLOW PREVENTERS, AUTOMATIC VALVES, AND ACCESSORIES (LIT-071)



NH-2022-06
NO HUB COUPLINGS (LIT-044)



TDPC-2025
POLYMER CONCRETE TRENCH DRAINS (LIT-076)



TD-2025
GRP & STEEL TRENCH DRAINS (LIT-046)



TDSD-2025
SHOWER DRAINS (LIT-077)



TDSS-2025
STAINLESS STEEL TRENCH DRAINS (LIT-072)



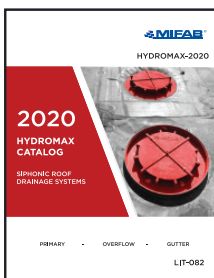
ROOFGUARD-2020
ROOFGUARD ROOF DOME (LIT-058)



C-PORT-2023
ROOFTOP RUBBER PIPE SUPPORTS (LIT-047)



DB-2024
DIALYSIS BOXES (LIT-070)



HYDROMAX-2020
SIPHONIC ROOF DRAINAGE SYSTEMS (LIT-082)



INT-2025
INTERCEPTORS & ACID NEUTRALIZATION TANKS (LIT-095)



TSP-2024
TRAP SEAL PRIMERS (LIT-062)



CALIFORNIA PROPOSITION 65 WARNING. This product contains chemicals known to the State of California to cause cancer and birth defects or other reproductive harm.

Visit www.mifab.com for the most recent product information. Design and dimensions are subject to modification. Prices do not include applicable taxes.

Toll Free: 1-800-465-2736, Fax: 1-773-341-3049
sales@mifab.com Canada Toll Free: 1-800-387-3880

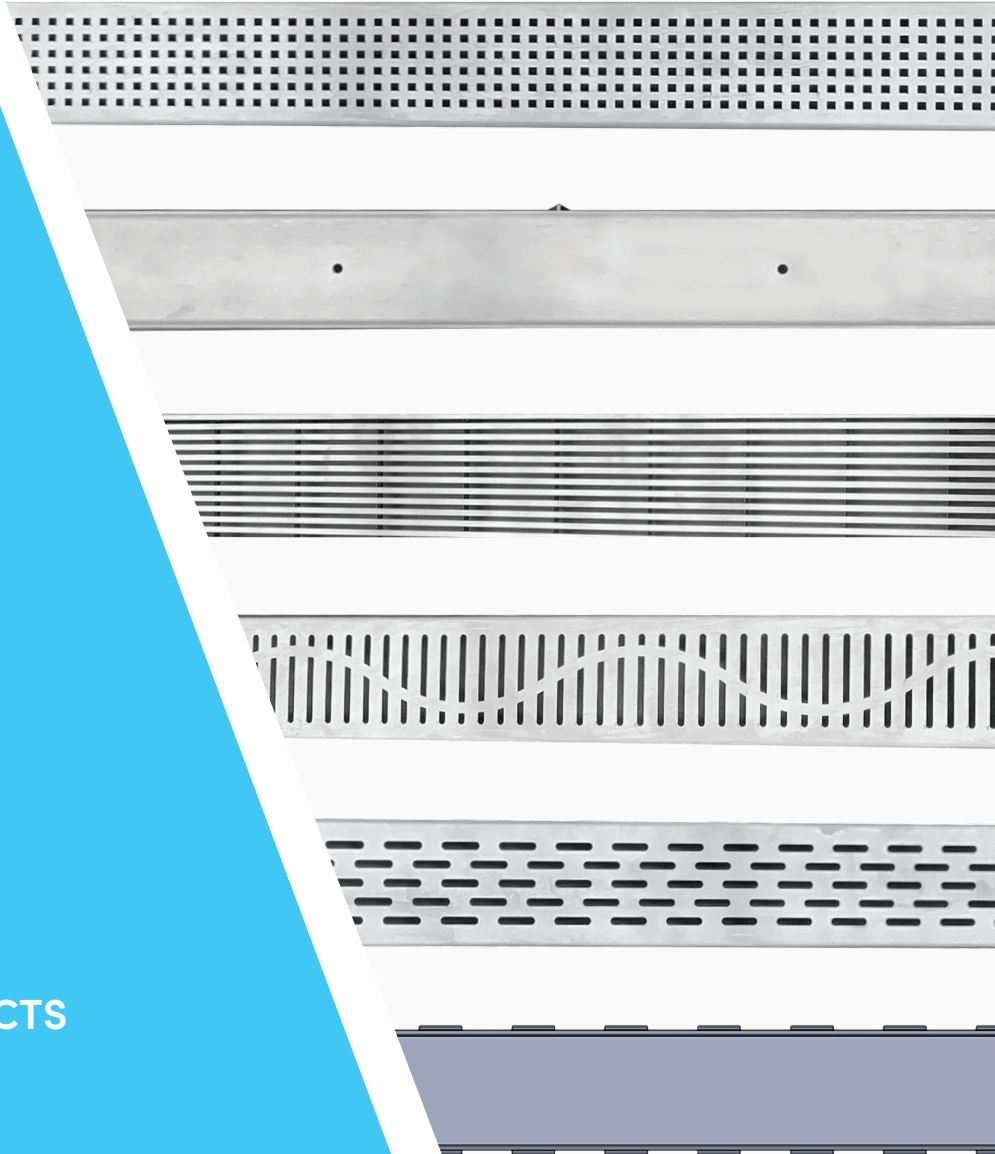
MIFAB®, Inc., 1321 West 119th Street, Chicago, Illinois 60643-5109, USA
All sales subject to MIFAB®'s Terms and Warranties, please refer to page no. 18





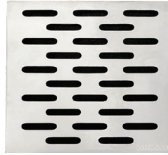
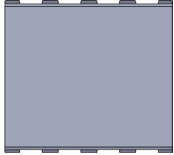


TDSD-2025

SHOWER DRAIN CATALOG 2025

STAINLESS STEEL
SHOWER DRAIN PRODUCTS



QUATRO 	TILE INLAY 	WEDGEWIRE 	WAVE 	SUBWAY 	PERIMETER 
--	--	---	---	--	---

LIT-077