



OPULENZ®

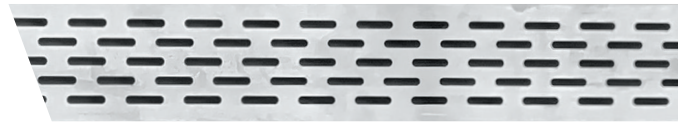


TDSD-2023

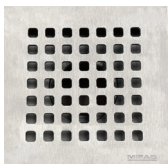
2023

SHOWER DRAIN CATALOG

STAINLESS STEEL
SHOWER DRAINS



QUATRO



TILE INLAY



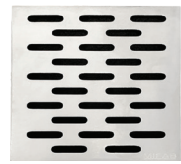
WEDGEWIRE



WAVE



SUBWAY



LIT-077

TABLE OF CONTENTS

Stainless Steel Linear and Point Drain Features and Benefits.....3

P9000 – Stainless Steel Linear Shower Drains with Stainless Steel Grates.....4

P9800 – Stainless Steel Point Drains with Stainless Steel Grates.....5

Project References.....6

ABS Linear and Point Drain Features and Benefits7

P9100 – ABS Plastic Linear Shower Drains with Stainless Steel Grates8

P9600 - 2" Outlet – Plastic Edge and Finished Edge Frame Point Drains9

P9700 - 110mm Outlet – Plastic Edge and Finished Edge Frame Point Drains..... 10

Stainless Steel Linear and Point Drain Installation Guide 11

ABS Linear and Point Drain (2" outlet) Installation Guide 12

P9700 Series, (110mm outlet) ABS Point Drain Installation Guide 13

Optional 2" No Hub Cast Iron body with membrane clamp and hardware 13

Terms and Warranties 14

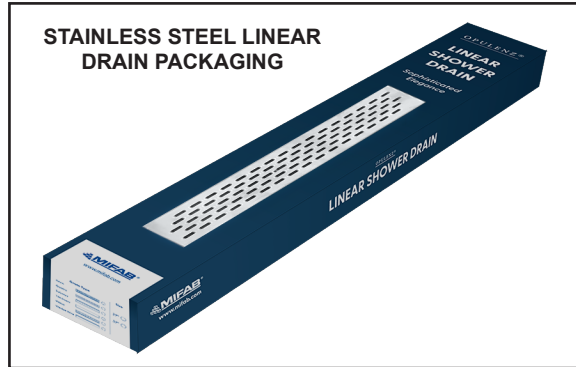
PICTORIAL INDEX

 <p>P9000 – All Stainless Steel Shower Channels (Page 4)</p>	 <p>P9800 – Stainless Steel Point Drains (Page 5)</p>	 <p>P9100 – Plastic Edge Shower Channels (Page 8)</p>	 <p>P9600 and P9700 – Plastic Edge and Finished Edge Frame Point Drains (Page 9, 10)</p>												
<p>POINT DRAIN GRATES</p> <table border="0"> <tr> <td data-bbox="186 1438 365 1638"> <p>QUATRO</p>  </td> <td data-bbox="389 1438 568 1638"> <p>TILE INLAY</p>  </td> <td data-bbox="592 1438 771 1638"> <p>WEDGEWIRE</p>  </td> </tr> <tr> <td data-bbox="267 1669 446 1869"> <p>WAVE</p>  </td> <td data-bbox="519 1669 698 1869"> <p>SUBWAY</p>  </td> <td></td> </tr> </table>		<p>QUATRO</p> 	<p>TILE INLAY</p> 	<p>WEDGEWIRE</p> 	<p>WAVE</p> 	<p>SUBWAY</p> 		<p>LINEAR SHOWER DRAIN GRATES</p> <table border="0"> <tr> <td data-bbox="836 1438 1128 1522"> <p>QUATRO</p>  </td> <td data-bbox="1153 1438 1445 1522"> <p>TILE INLAY</p>  </td> </tr> <tr> <td data-bbox="836 1627 1128 1701"> <p>WEDGEWIRE</p>  </td> <td data-bbox="1153 1627 1445 1701"> <p>WAVE</p>  </td> </tr> <tr> <td colspan="2" data-bbox="990 1795 1291 1869"> <p>SUBWAY</p>  </td> </tr> </table>		<p>QUATRO</p> 	<p>TILE INLAY</p> 	<p>WEDGEWIRE</p> 	<p>WAVE</p> 	<p>SUBWAY</p> 	
<p>QUATRO</p> 	<p>TILE INLAY</p> 	<p>WEDGEWIRE</p> 													
<p>WAVE</p> 	<p>SUBWAY</p> 														
<p>QUATRO</p> 	<p>TILE INLAY</p> 														
<p>WEDGEWIRE</p> 	<p>WAVE</p> 														
<p>SUBWAY</p> 															

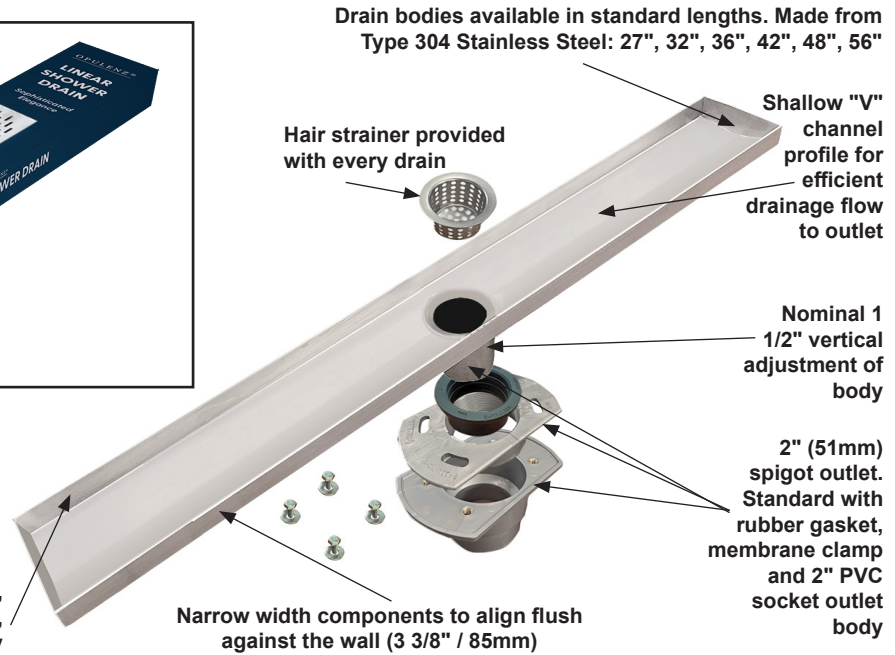
CALIFORNIA PROPOSITION 65 WARNING. This product contains chemicals known to the State of California to cause cancer and birth defects or other reproductive harm.

Stainless Steel Linear and Point Drain Features and Benefits

**STAINLESS STEEL LINEAR DRAIN - FEATURES AND BENEFITS
(P9000 Series - See Page 4)**



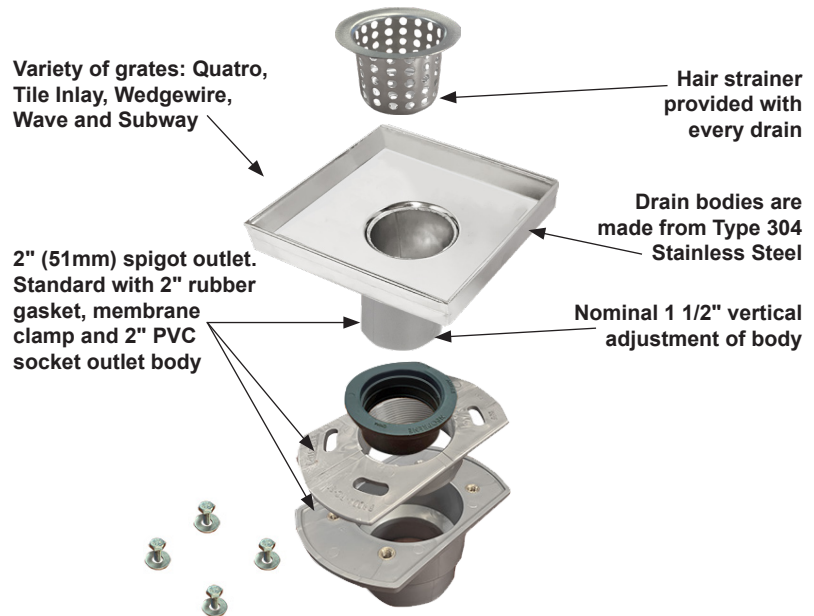
STAINLESS STEEL LINEAR DRAIN PACKAGING



**STAINLESS STEEL POINT DRAIN - FEATURES AND BENEFITS
(P9800 Series - See Page 5)**



STAINLESS STEEL POINT DRAIN PACKAGING



CALIFORNIA PROPOSITION 65 WARNING. This product contains chemicals known to the State of California to cause cancer and birth defects or other reproductive harm.

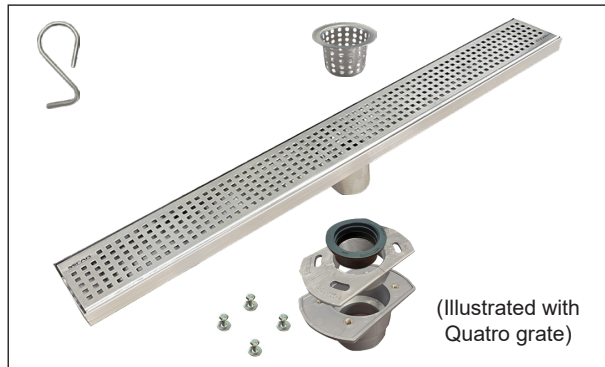
Visit www.mifab.com for the most recent product information. Design and dimensions are subject to modification. Prices do not include applicable taxes.

Toll Free: 1-800-465-2736, Fax: 1-773-341-3049
sales@mifab.com Canada Toll Free: 1-800-387-3880

MIFAB®, Inc., 1321 West 119th Street, Chicago, Illinois 60643-5109, USA
All sales subject to MIFAB®'s Terms and Warranties, please refer to page no. 14

P9000 – All Stainless Steel Shower Channels

The P9000 Series of Stainless Steel Shower Drains are tested and certified to the ASME A112.6.3 Standard and are listed with I.A.P.M.O.



Features:

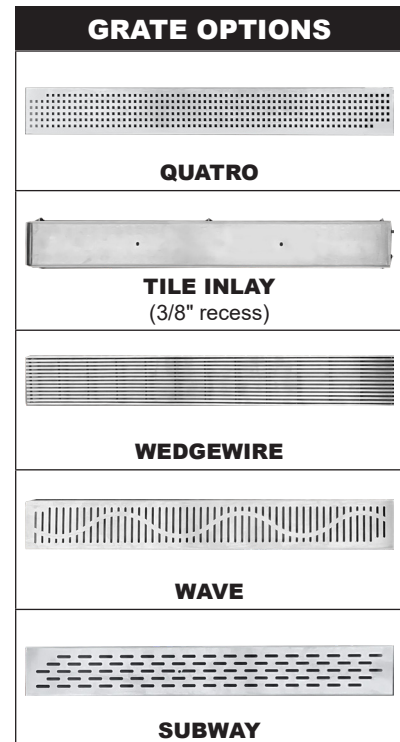
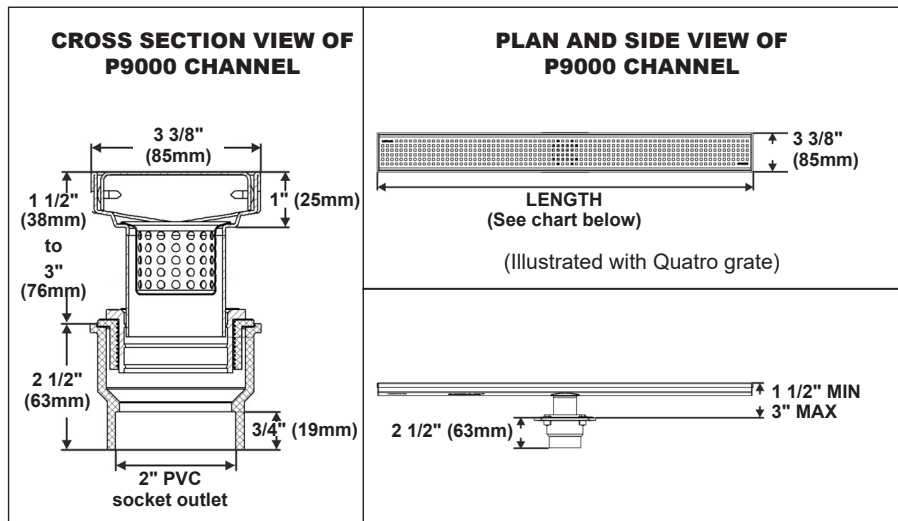
- Stainless Steel channels available in 27", 32", 36", 42" 48" & 56" lengths.
- Narrow width body to align flush against wall.
- Electro-polished Type 304 Stainless Steel grates in various designs.

Also includes:

- 2" (51mm) spigot outlet.
- Hair strainer and grate lifting key.
- Rubber gasket, membrane clamp and 2" PVC socket outlet body.



Optional: 2" no hub outlet cast iron body & membrane clamp. (See Page 13 for dimensions).
Suffix -50 and add **\$100.00** to the List Price.



MODEL NUMBER	LENGTH	GRATE PATTERN	WEIGHT (lbs.)	LIST PRICE
P9000-QT-27	27"	Quatro	7.50	\$1,029.00
P9000-QT-32	32"	Quatro	7.50	\$1,049.00
P9000-QT-36	36"	Quatro	7.50	\$1,060.00
P9000-QT-42	42"	Quatro	7.50	\$1,103.00
P9000-QT-48	48"	Quatro	7.50	\$1,132.00
P9000-QT-56	56"	Quatro	7.50	\$1,204.00
P9000-TI-27	27"	Tile Inlay	7.50	\$1,029.00
P9000-TI-32	32"	Tile Inlay	7.50	\$1,049.00
P9000-TI-36	36"	Tile Inlay	7.50	\$1,060.00
P9000-TI-42	42"	Tile Inlay	7.50	\$1,103.00
P9000-TI-48	48"	Tile Inlay	7.50	\$1,132.00
P9000-TI-56	56"	Tile Inlay	7.50	\$1,204.00
P9000-WW-27	27"	Wedgewire	7.50	\$1,068.00
P9000-WW-32	32"	Wedgewire	7.50	\$1,088.00
P9000-WW-36	36"	Wedgewire	7.50	\$1,099.00

MODEL NUMBER	LENGTH	GRATE PATTERN	WEIGHT (lbs.)	LIST PRICE
P9000-WW-42	42"	Wedgewire	7.50	\$1,141.00
P9000-WW-48	48"	Wedgewire	7.50	\$1,171.00
P9000-WW-56	56"	Wedgewire	7.50	\$1,243.00
P9000-WV-27	27"	Wave	7.50	\$1,068.00
P9000-WV-32	32"	Wave	7.50	\$1,088.00
P9000-WV-36	36"	Wave	7.50	\$1,099.00
P9000-WV-42	42"	Wave	7.50	\$1,141.00
P9000-WV-48	48"	Wave	7.50	\$1,171.00
P9000-WV-56	56"	Wave	7.50	\$1,243.00
P9000-SB-27	27"	Subway	7.50	\$1,029.00
P9000-SB-32	32"	Subway	7.50	\$1,049.00
P9000-SB-36	36"	Subway	7.50	\$1,060.00
P9000-SB-42	42"	Subway	7.50	\$1,103.00
P9000-SB-48	48"	Subway	7.50	\$1,132.00
P9000-SB-56	56"	Subway	7.50	\$1,204.00

CALIFORNIA PROPOSITION 65 WARNING. This product contains chemicals known to the State of California to cause cancer and birth defects or other reproductive harm.

P9800 – Stainless Steel Point Drains

Features:

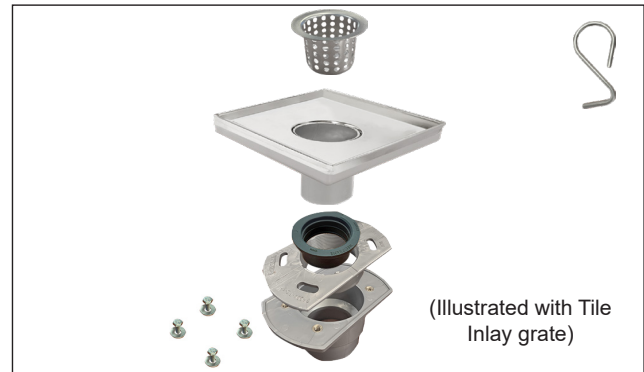
- 6" x 6" Stainless Steel body
- Electro-polished Type 304 Stainless Steel grates in various designs.

Also includes:

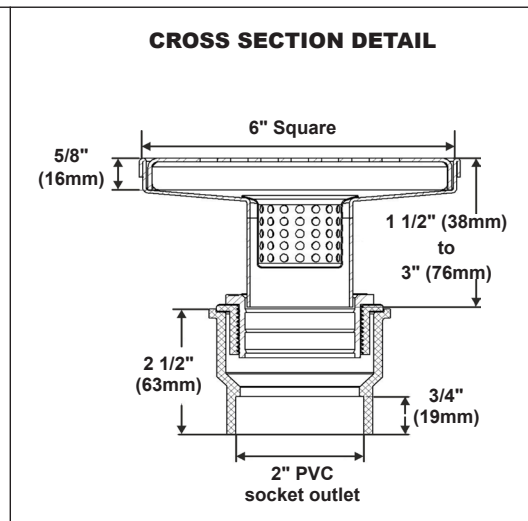
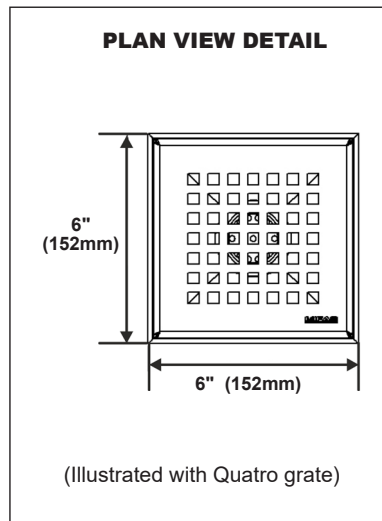
- 2" (51mm) spigot outlet.
- Hair strainer and grate lifting key.
- Rubber gasket, membrane clamp and 2" PVC socket outlet body.



The P9800 Series of Stainless Steel Point Drains are tested and certified to the ASME A112.6.3 Standard and are listed with I.A.P.M.O.



GRATE OPTIONS	
QUATRO	
TILE INLAY (3/8" recess)	
WEDGEWIRE	
WAVE	
SUBWAY	



MODEL NUMBER	DESCRIPTION	GRATE PATTERN	WEIGHT (lbs.)	LIST PRICE
P9802-QT	Type 304 Stainless Steel body / grate	Quatro	2.00	\$200.00
P9802-TI	Type 304 Stainless Steel body / grate	Tile Inlay	2.00	\$200.00
P9802-WW	Type 304 Stainless Steel body / grate	Wedgewire	2.00	\$200.00
P9802-WV	Type 304 Stainless Steel body / grate	Wave	2.00	\$200.00
P9802-SB	Type 304 Stainless Steel body / grate	Subway	2.00	\$200.00

CALIFORNIA PROPOSITION 65 WARNING. This product contains chemicals known to the State of California to cause cancer and birth defects or other reproductive harm.

Visit www.mifab.com for the most recent product information. Design and dimensions are subject to modification. Prices do not include applicable taxes.

Toll Free: 1-800-465-2736, Fax: 1-773-341-3049
sales@mifab.com Canada Toll Free: 1-800-387-3880

MIFAB®, Inc., 1321 West 119th Street, Chicago, Illinois 60643-5109, USA
All sales subject to MIFAB®'s Terms and Warranties, please refer to page no. 14

Project References

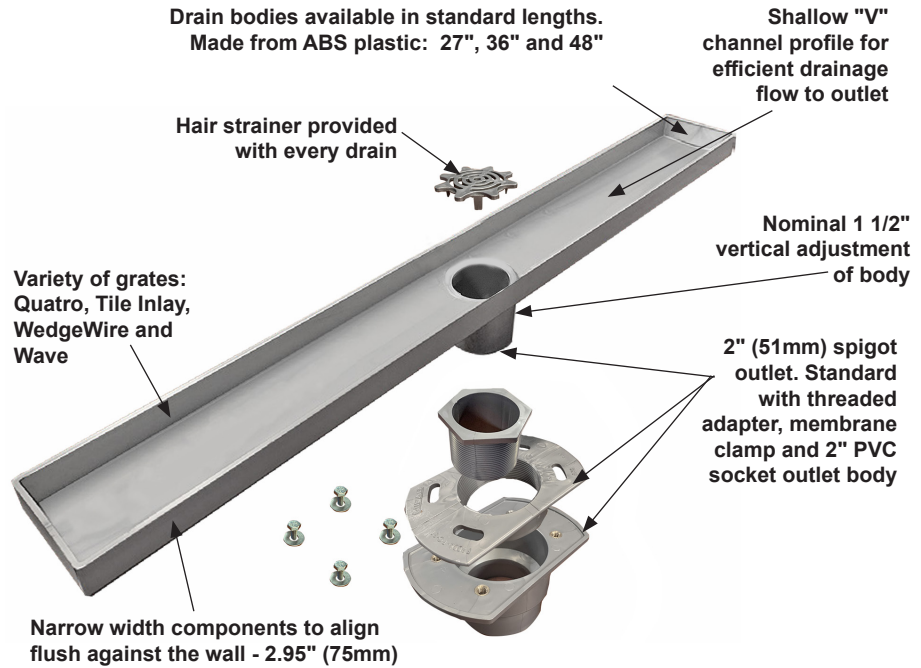


CALIFORNIA PROPOSITION 65 WARNING. This product contains chemicals known to the State of California to cause cancer and birth defects or other reproductive harm.

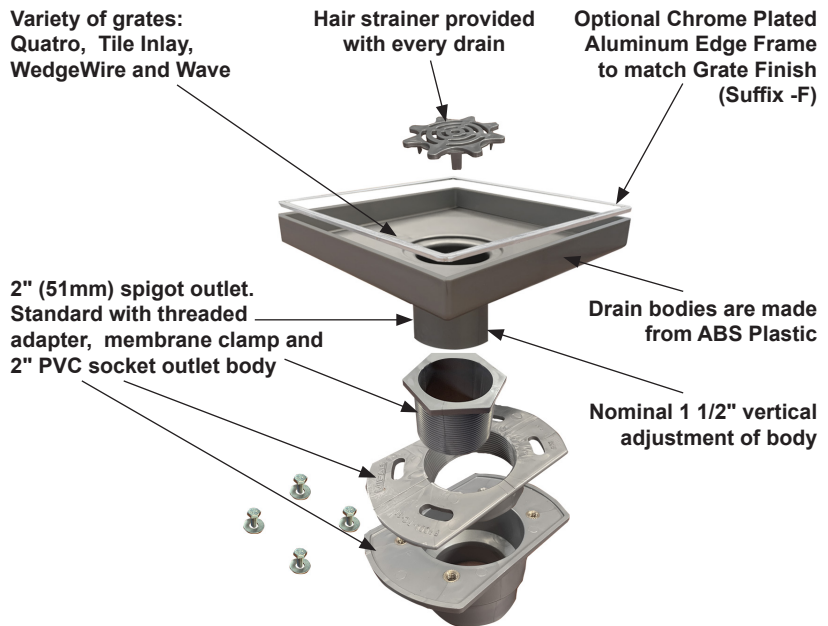
ABS Linear and Point Drain Features and Benefits



ABS LINEAR DRAIN - FEATURES AND BENEFITS (P9100 Series - See Page 8)



ABS POINT DRAIN - FEATURES AND BENEFITS (P9600 & P9700 Series - See Pages 9, 10)



CALIFORNIA PROPOSITION 65 WARNING. This product contains chemicals known to the State of California to cause cancer and birth defects or other reproductive harm.

Visit www.mifab.com for the most recent product information. Design and dimensions are subject to modification. Prices do not include applicable taxes.

Toll Free: 1-800-465-2736, Fax: 1-773-341-3049
 sales@mifab.com Canada Toll Free: 1-800-387-3880

MIFAB®, Inc., 1321 West 119th Street, Chicago, Illinois 60643-5109, USA
 All sales subject to MIFAB®'s Terms and Warranties, please refer to page no. 14

P9100 – Plastic Edge Shower Channels

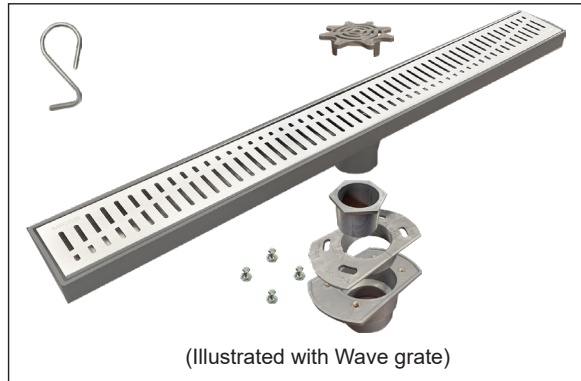
The P9100 Series of Plastic Shower Drains are tested and certified to the ASME A112.6.3 Standard and are listed with I.A.P.M.O.

Features:

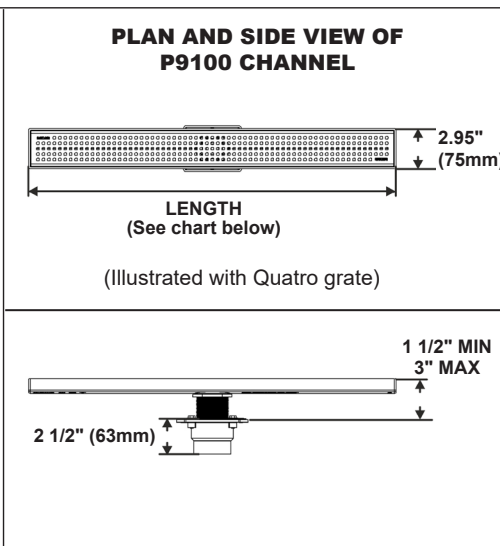
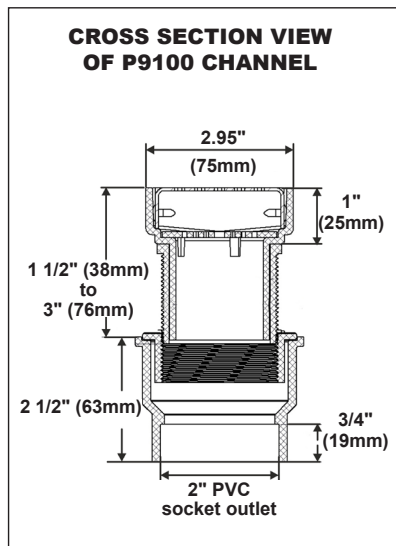
- ABS channels available in 27", 36" and 48" lengths.
- Narrow width body to align flush against wall.
- Electro-polished Type 304 Stainless Steel grates in various designs.

Also includes:

- 2" (51mm) spigot outlet.
- Hair strainer and grate lifting key.
- Threaded adapter, membrane clamp and 2" PVC socket outlet body.



Optional: 2" no hub outlet cast iron body and membrane clamp. (See Page 13 for dimensions. Suffix -50 and add \$100.00 to the List Price).



GRATE OPTIONS

- QUATRO**
- TILE INLAY**
(3/8" recess)
- WAVE**
- WEDGEWIRE**



MODEL NUMBER	LENGTH	GRATE PATTERN	WEIGHT (lbs.)	LIST PRICE
P9102-27-QT	27"	Quatro	2.50	\$479.00
P9102-36-QT	36"	Quatro	3.00	\$590.00
P9102-48-QT	48"	Quatro	3.75	\$634.00
P9102-27-TI	27"	Tile Inlay	2.50	\$479.00
P9102-36-TI	36"	Tile Inlay	3.00	\$590.00
P9102-48-TI	48"	Tile Inlay	3.75	\$634.00
P9102-27-WV	27"	Wave	2.50	\$518.00
P9102-36-WV	36"	Wave	3.00	\$629.00
P9102-48-WV	48"	Wave	3.75	\$672.00
P9102-27-WW	27"	Wedgewire	2.50	\$540.00
P9102-36-WW	36"	Wedgewire	2.50	\$650.00
P9102-48-WW	48"	Wedgewire	2.50	\$700.00

CALIFORNIA PROPOSITION 65 WARNING. This product contains chemicals known to the State of California to cause cancer and birth defects or other reproductive harm.

P9600 - 2" Outlet – Plastic and Finished Edge Frame Point Drains

Features:

- 6" x 6" ABS body
- Electro-polished Type 304 Stainless Steel grates in various designs.

Also includes:

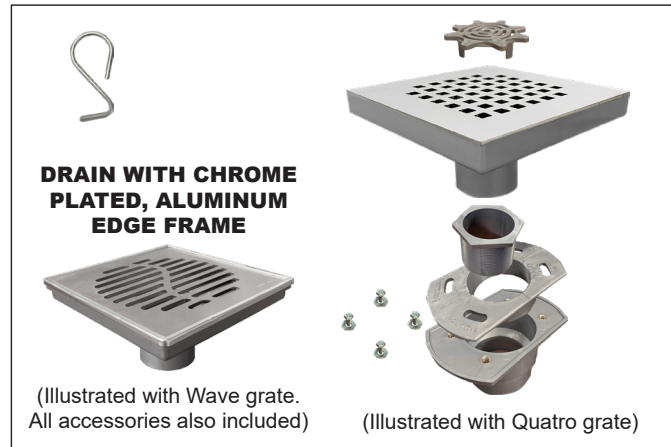
- 2" (51mm) spigot outlet.
- Hair strainer and grate lifting key.
- Threaded adapter, membrane clamp and 2" PVC socket outlet body.



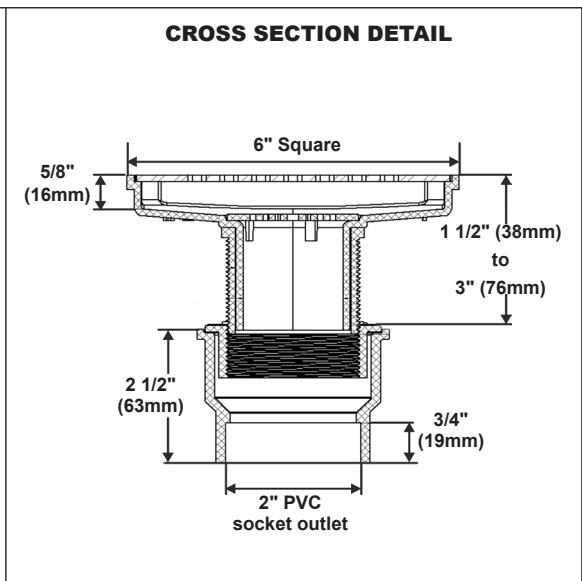
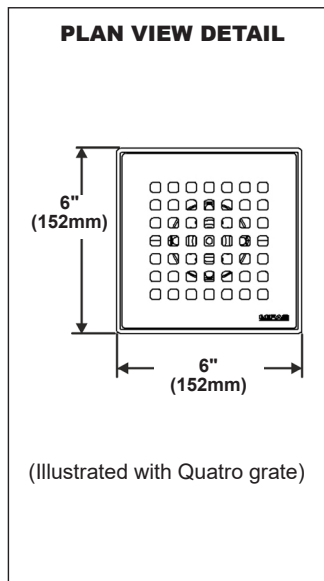
Optional: 2" no hub outlet cast iron body and membrane clamp. (See Page 13 for dimensions. Suffix -50 and add **\$100.00** to the List Price).

- Chrome plated, aluminum edge frame. (See below -F Models)

The P9600 Series of Plastic and Finished Edge Frame Point Drains are tested and certified to the ASME A112.6.3 Standard and are listed with I.A.P.M.O.



GRATE OPTIONS	
QUATRO	
TILE INLAY (3/8" recess)	
WAVE	
WEDGEWIRE	



P9000-KEY	P9002-PS-31	P9002-ADP-31	P9002-DB-31
Grate Lifting Key	Hair Strainer	Threaded Adapter	2" PVC body / clamp

MODEL NUMBER	DESCRIPTION	GRATE PATTERN	WEIGHT (lbs.)	LIST PRICE
P9602-QT	Plastic Edge	Quatro	0.75	\$120.00
P9602-TI	Plastic Edge	Tile Inlay	0.75	\$120.00
P9602-WV	Plastic Edge	Wave	0.75	\$120.00
P9602-WW	Plastic Edge	Wedgewire	0.75	\$130.00
P9602-F-QT	Chrome Plated, Aluminum Edge Frame	Quatro	0.75	\$180.00
P9602-F-TI	Chrome Plated, Aluminum Edge Frame	Tile Inlay	0.75	\$180.00
P9602-F-WV	Chrome Plated, Aluminum Edge Frame	Wave	0.75	\$180.00
P9602-F-WW	Chrome Plated, Aluminum Edge Frame	Wedgewire	0.75	\$190.00

CALIFORNIA PROPOSITION 65 WARNING. This product contains chemicals known to the State of California to cause cancer and birth defects or other reproductive harm.

Visit www.mifab.com for the most recent product information. Design and dimensions are subject to modification. Prices do not include applicable taxes.

Toll Free: 1-800-465-2736, Fax: 1-773-341-3049
sales@mifab.com Canada Toll Free: 1-800-387-3880

MIFAB®, Inc., 1321 West 119th Street, Chicago, Illinois 60643-5109, USA
All sales subject to MIFAB®'s Terms and Warranties, please refer to page no. 14

P9700 - 110mm Outlet – Plastic and Finished Edge Frame Point Drains

The P9700 Series of Plastic and Finished Edge Frame Point Drains are tested and certified to the ASME A112.6.3 Standard and are listed with I.A.P.M.O.

Features:

- Electro-polished Type 304 Stainless Steel grates in various designs.

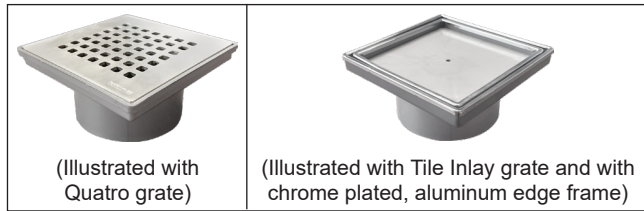


Also includes:

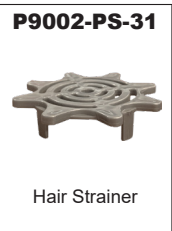
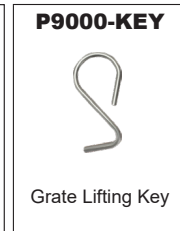
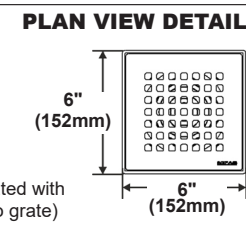
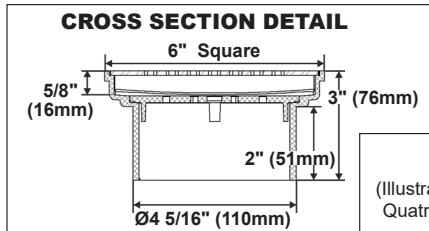
- 110mm outlet.
- Hair strainer and grate lifting key.

Optional:

- Chrome plated, aluminum edge frame. (See below -F Models)



GRATE OPTIONS	
QUATRO	
TILE INLAY (3/8" recess)	
WAVE	
WEDGEWIRE	



MODEL NUMBER	DESCRIPTION	GRATE PATTERN	WEIGHT (lbs.)	LIST PRICE
P9704-QT	Plastic Edge	Quatro	0.75	\$130.00
P9704-TI	Plastic Edge	Tile Inlay	0.75	\$130.00
P9704-WV	Plastic Edge	Wave	0.75	\$130.00
P9704-WW	Plastic Edge	Wedgewire	0.75	\$140.00
P9704-F-QT	Chrome Plated, Aluminum Edge Frame	Quatro	0.75	\$190.00
P9704-F-TI	Chrome Plated, Aluminum Edge Frame	Tile Inlay	0.75	\$190.00
P9704-F-WV	Chrome Plated, Aluminum Edge Frame	Wave	0.75	\$190.00
P9704-F-WW	Chrome Plated, Aluminum Edge Frame	Wedgewire	0.75	\$200.00

P9900 - 110mm Outlet - Plastic and Finished Edge Frame Cleanout

The P9900 Series of Plastic and Finished Edge Frame Cleanouts are tested and certified to the ASME A112.36.2M Standard and are listed with I.A.P.M.O.

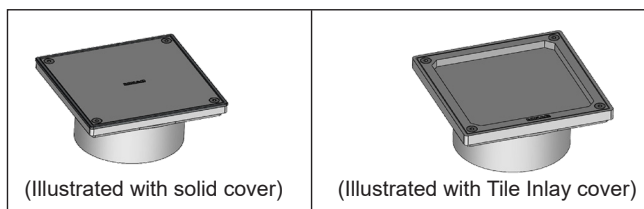
Features:

- Electro-polished Type 304 Stainless Steel gasketed cover with four point lockdown, 110mm outlet.

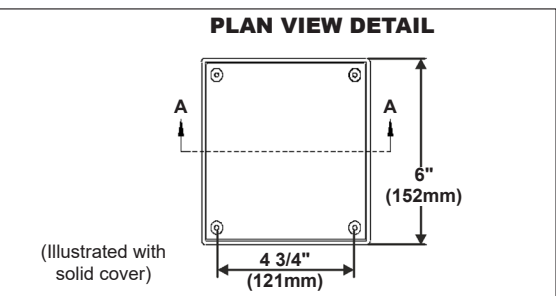
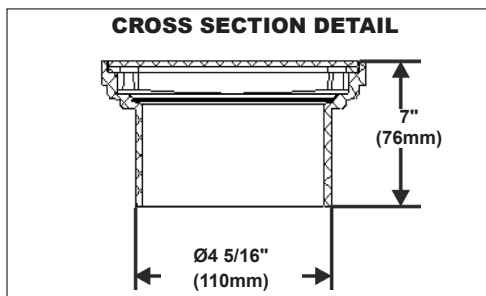


Optional:

- Chrome plated, aluminum edge frame. (See below -F Models).



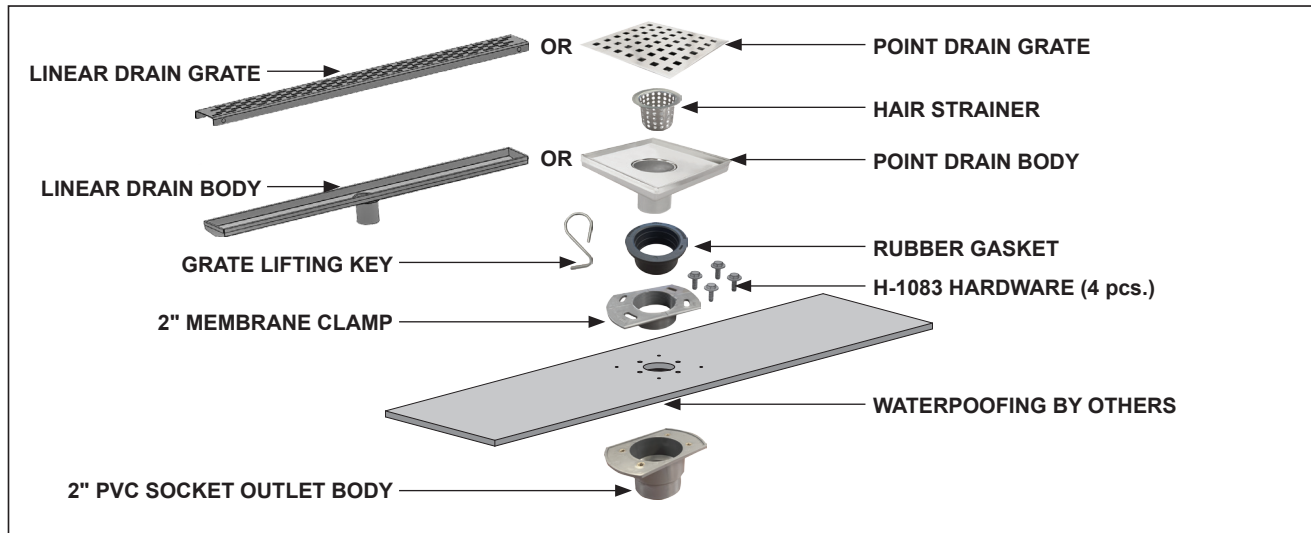
COVER OPTIONS	
SOLID	
TILE INLAY (3/8" recess)	



MODEL NUMBER	DESCRIPTION	COVER DESIGN	WEIGHT (lbs.)	LIST PRICE
P9904	Plastic Edge	Solid	1.00	\$150.00
P9904-TI	Plastic Edge	Tile Inlay	1.00	\$150.00
P9904-F	Chrome Plated, Aluminum Edge Frame	Solid	1.00	\$210.00
P9904-TI-F	Chrome Plated, Aluminum Edge Frame	Tile Inlay	1.00	\$210.00

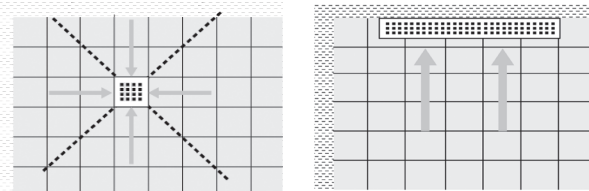
CALIFORNIA PROPOSITION 65 WARNING. This product contains chemicals known to the State of California to cause cancer and birth defects or other reproductive harm.

Stainless Steel Linear and Point Drain Installation Guide



1) TYPICAL SHOWER DRAIN PLACEMENT:

The shower drain can be installed where current piping is or to a preferred location by moving the pipework.



2) INSTALL DRAIN MEMBRANE FLANGE:

After relocation of the pipework, if desired, connect the 2" PVC socket outlet body to the rough-in pipe. Ensure that it is installed to the correct height.

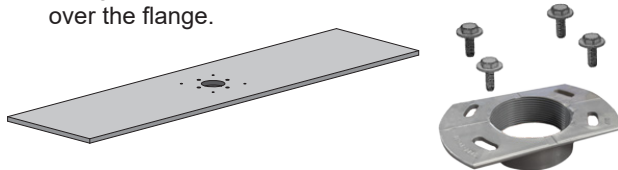


3) SITE PREPARATION:

Add flooring mortar or similar product to desired height.

4) WATERPROOF FLOOR:

Install your preferred waterproofing membrane (by others) over the entire floor being sure to remove any obstruction that may be over the outlet pipe. Using the membrane clamp, secure the membrane over the flange.



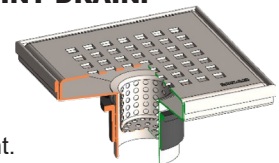
5) INSTALL RUBBER GASKET:

Insert the rubber gasket into the membrane clamp.



6) INSERT LINEAR OR POINT DRAIN:

Push linear or point drain 2" (51mm) spigot outlet into the rubber gasket inside the membrane clamp. Adjust to finished floor height.



7) MORTAR BED:

Place mortar bed on top of membrane allowing space for thin set and tile/ vinyl flooring material. Let cure. Install the thin set and flooring material ensuring adequate slope of floor to the shower drain outlet. **It is recommended that the floor have a 2% slope to outlet.**

TOP VIEW



BOTTOM VIEW



If the 2" PVC socket outlet body with membrane flange is not used, MIFAB recommends the MIFAB # MI-HUB-TR-215 transition no hub coupling to connect the 2" (51mm) spigot outlet to the 2" PVC / C.I. drain pipe. This coupling is not included and is an additional cost.

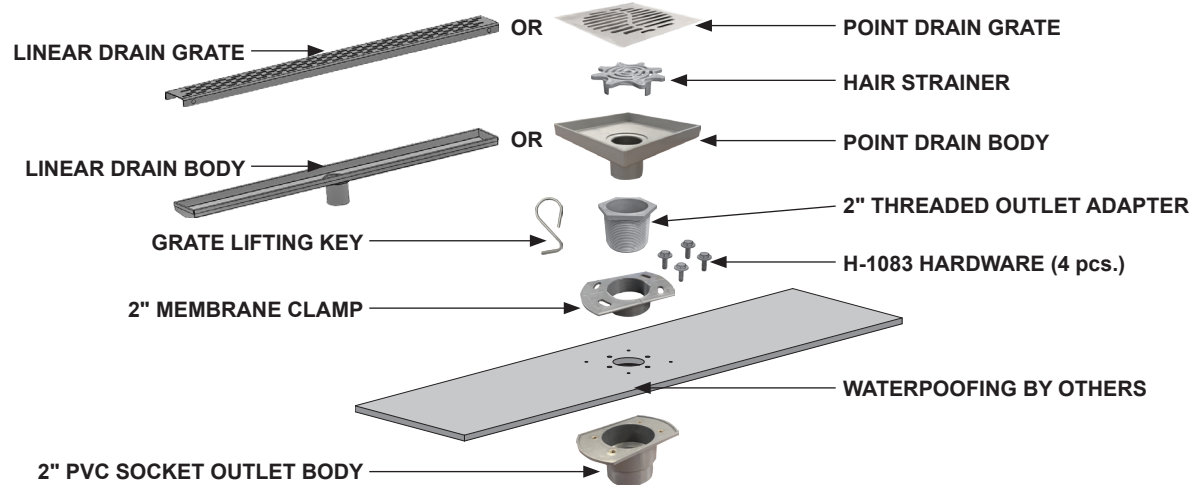
CALIFORNIA PROPOSITION 65 WARNING. This product contains chemicals known to the State of California to cause cancer and birth defects or other reproductive harm.

Visit www.mifab.com for the most recent product information. Design and dimensions are subject to modification. Prices do not include applicable taxes.

Toll Free: 1-800-465-2736, Fax: 1-773-341-3049
sales@mifab.com Canada Toll Free: 1-800-387-3880

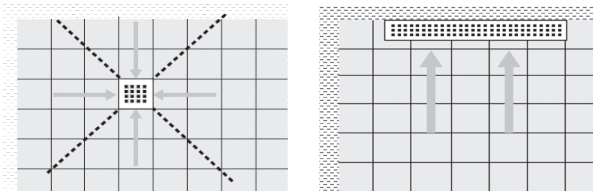
MIFAB®, Inc., 1321 West 119th Street, Chicago, Illinois 60643-5109, USA
All sales subject to MIFAB's Terms and Warranties, please refer to page no. 14

ABS Linear and Point Drain (2" outlet) Installation Guide



1) TYPICAL SHOWER DRAIN PLACEMENT:

The shower drain can be installed where current piping is or to a preferred location by moving the pipework.



2) INSTALL DRAIN MEMBRANE FLANGE:

After relocation of the pipework, if desired, connect the 2" PVC socket outlet body to the rough-in pipe. Ensure that it is installed to the correct height.

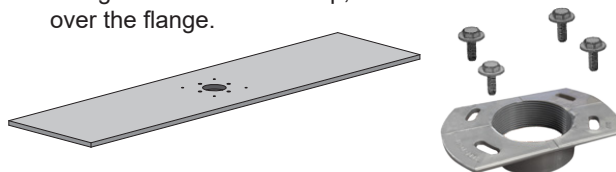


3) SITE PREPARATION:

Add flooring mortar or similar product to desired height.

4) WATERPROOF FLOOR:

Install your preferred waterproofing membrane (by others) over the entire floor being sure to remove any obstruction that may be over the outlet pipe. Using the membrane clamp, secure the membrane over the flange.



5) INSTALL COUPLING:

Thread the 2" adapter into the membrane clamp.



6) INSERT LINEAR OR POINT DRAIN:

Push linear or point drain 2" (51mm) spigot outlet into the threaded adapter inside the membrane clamp. Adjust to finished floor height.



7) MORTAR BED:

Place mortar bed on top of membrane allowing space for thin set and tile/ vinyl flooring material. Let cure. Install the thin set and flooring material ensuring adequate slope of floor to the shower drain outlet. **It is recommended that the floor have a 2% slope to outlet.**

TOP VIEW



BOTTOM VIEW



If the PVC socket outlet body with membrane flange is not used, MIFAB recommends the MIFAB # MI-HUB-TR-215 transition no hub coupling to connect the 2" (51mm) spigot outlet to the 2" PVC / C.I. drain pipe. This coupling is not included and is an additional cost.

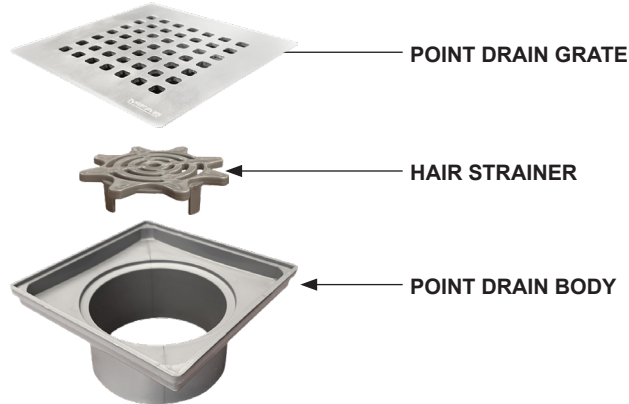
CALIFORNIA PROPOSITION 65 WARNING. This product contains chemicals known to the State of California to cause cancer and birth defects or other reproductive harm.

P9700 / P9900 Series (110mm outlet) Point Drain / Cleanout Installation Guide

GRATE LIFTING KEY

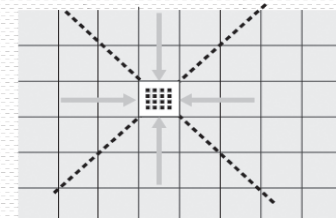


Note: The P9900 cleanout has the same installation method as shown for the P9700 drain.



1) TYPICAL POINT DRAIN PLACEMENT:

The point drain can be installed where current piping is or to a preferred location by moving the pipework.



2) SITE PREPARATION:

Add flooring mortar or similar product to desired height.

3) INSTALL POINT DRAIN:

Connect drain body to outlet pipe. Adjust to finished floor height.



4) MORTAR BED:

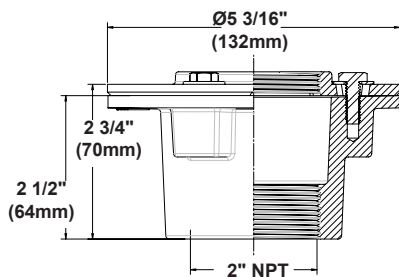
Place mortar bed on top of membrane allowing space for thin set and tile/ vinyl flooring material. Let cure. Install the thin set and flooring material ensuring adequate slope of floor to the shower drain outlet. **It is recommended that the floor have a 2% slope to outlet.**

MIFAB recommends the MIFAB # MI-FLEX-400 flexible rubber coupling to connect the 110mm outlet to the drain pipe. This coupling is not included and is an additional cost.

MI-FLEX-400 illustrated



Optional 2" No Hub Cast Iron body with membrane clamp and hardware



MIFAB # F1212TC-PB-50. \$100.00 List Price



F1212TC-PB-50

CALIFORNIA PROPOSITION 65 WARNING. This product contains chemicals known to the State of California to cause cancer and birth defects or other reproductive harm.

Visit www.mifab.com for the most recent product information. Design and dimensions are subject to modification. Prices do not include applicable taxes.

Toll Free: 1-800-465-2736, Fax: 1-773-341-3049
sales@mifab.com Canada Toll Free: 1-800-387-3880

MIFAB®, Inc., 1321 West 119th Street, Chicago, Illinois 60643-5109, USA
All sales subject to MIFAB®'s Terms and Warranties, please refer to page no. 14

Terms and Warranties

WHOLESALE DISCOUNT:

Contact MIFAB® or your local representative for your applicable discount structure.

PLUMBING WHOLESALE FREIGHT ALLOWANCE: Ex Works, MIFAB's Chicago, Illinois Factory or Manufacturer Representative's warehouse with full motor freight allowed on shipments of \$3500.00 Net or more, within the continental U.S.A. and Canada, except Alaska, Hawaii and Puerto Rico. MIFAB reserves the right to choose the carrier and route of shipment. Shipping dates are estimates and time of delivery is not the essence of the sale of the contract. Therefore, under no circumstances will MIFAB® have any responsibility on account of any delays in manufacture, transportation, or otherwise. Additional freight services such as construction site delivery, lift gate delivery service, re-consigned freight or notification charges, are not included in full freight allowance terms, and will result in additional freight charges.

QUOTATION TERMS: List Price and discount protected for 30 days from date issued by MIFAB®. Orders received within this period must be released for shipment within 30 days from date of purchase order, otherwise, prices will be those that are in effect at the time of shipment.

PAYMENT TERMS: Terms of payment are Net 30 days from the date of the invoice. All pricing in United States currency except for sales to Canadian customers which are priced in Canadian dollars. The Buyer shall pay all sales, consumers, and / or any other applicable taxes. Past due accounts will be subject to a 2% per month service charge from the date of the invoice. If any proceedings be instructed by or against Buyer under any bankruptcy or insolvency law, or if Buyer shall fail to make timely payment on this or any other order, or if, in MIFAB's judgment, Buyer's financial situation justifies such action, MIFAB® may, at its election, require payment in advance or cancel the order as to any unshipped item and require payment of its reasonable cancellation charges. If Buyer delays completion of manufacture, MIFAB® may elect to require payment according to percentage of completion. Equipment held for Buyer shall be at Buyer's risk and expense. In all cases, regardless of partial payment, title to the Products shall remain with MIFAB® until payment for the Products (including any notes given therefore) has been made in full. Should legal action be necessary to enforce payment of an unpaid invoice, the Buyer will assume full responsibility for any court costs and reasonable attorney fees. All orders subject to credit check and approval prior to shipment. Confirmed irrevocable letter of credit or cash in advance of shipment is required for accounts without an established line of credit. Minimum invoice amount is \$100.00. MIFAB® reserves the right to apply a minimum order charge to equal \$100.00. MIFAB's Accounting Department must be notified of potential pricing errors within 30 days of the invoice date. Any terms and conditions stated on Buyer's orders which are inconsistent with MIFAB's quotation and Terms and Warranties shall be of no effect.

RETURNED GOODS RESTOCKING CHARGE: Standard product may be returned within a one year period only with written permission from MIFAB®. All products in catalog are not considered Standard. Standard product to be determined by MIFAB®. Returned goods are subject to a 25% restocking charge, plus cost of reconditioning, if necessary, to make material saleable. Material must be returned to MIFAB® freight prepaid only after written permission from MIFAB® to accept the returned material. Buyer must provide copy of the original invoice on which the material was charged. The original outgoing freight cost to ship the order will be deducted from the credit. Credit allowance will be in the form of merchandise credit only-not cash credit which must be used within 12 months of the date of issue. The value of a return must total \$100.00 to qualify for credit allowance. No credit will be allowed for discontinued, or made to order items. Products designated non stock and / or that have been specially made are not subject to return or cancellation.

LIMITED WARRANTY: MIFAB® warrants each product against defects in material and workmanship for a period of one year from the date of original shipment. In the event of such defects within the warranty period, MIFAB® will, at its option, replace or recondition the product without charge. This shall constitute the exclusive remedy for breach of warranty, and MIFAB® shall not be responsible for any incidental or consequential damages, including, without limitation, damages or other costs resulting from labor charges, delays, vandalism, negligence, fouling caused by foreign material, damage from adverse water conditions, chemicals, or any other circumstances over which MIFAB® has no control. This warranty shall be invalidated by any abuse, misuse, misapplication or improper installation of the product.

MIFAB® MAKES NO OTHER WARRANTIES EXPRESSED OR IMPLIED AS PROVIDED IN THIS LIMITED WARRANTY.

ILLUSTRATIONS OR TYPICAL INSTALLATIONS: The typical installations for various products in each product section are intended to illustrate the products and their options. Under no circumstances are they to be construed as recommended installation procedures. Consult local codes and project specifications for proper installation instructions.

ALL SALES SUBJECT TO MIFAB's TERMS And WARRANTIES.

NOTE: Prices and terms are subject to change without notice and supersede all previous quotations. The right is reserved to change or modify product design or construction without prior notice and without incurring any obligation to make similar changes and modifications to product previously or subsequently sold. Contact MIFAB® for any clarification.

CONTENTS © MIFAB® INC. Copyright 2023

CALIFORNIA PROPOSITION 65 WARNING. This product contains chemicals known to the State of California to cause cancer and birth defects or other reproductive harm.

MIFAB CATALOGS



MPB-2022-USA
SPECIFICATION
DRAINAGE
PRODUCTS
(LIT-067)



CLPB-2022
LIGHT COMMERCIAL
PRODUCTS
(LIT-048)



AD-2022-USA
ACCESS DOORS
(LIT-043)



BEECO-2022
BACKFLOW PREVENTERS
AND ACCESSORIES
(LIT-071)



NH-2022-06
NO HUB COUPLINGS
(LIT-044)



TDP-2023
POLYMER CONCRETE
TRENCH DRAINS
(LIT-076)



TD-2023
GRP & STEEL
TRENCH DRAIN
SYSTEMS
(LIT-046)



TDSD-2023
SHOWER DRAINS
(LIT-077)



TDSS-2023
STAINLESS STEEL
TRENCH DRAINS
(LIT-072)



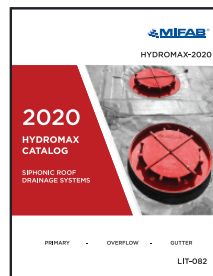
ROOFGUARD-2020
ROOFGUARD ROOF
DOMES
(LIT-058)



C-PORT-2023
ROOFTOP RUBBER
PIPE SUPPORTS
(LIT-047)



DB-2022
DIALYSIS BOXES
(LIT-070)



HYDROMAX-2020
SIPHONIC ROOF
DRAINAGE SYSTEMS
(LIT-082)



INT-2023
INTERCEPTORS & ACID
NEUTRALIZATION TANKS
(LIT-095)



TSP-2022-08
TRAP SEAL
PRIMERS
(LIT-062)



CALIFORNIA PROPOSITION 65 WARNING. This product contains chemicals known to the State of California to cause cancer and birth defects or other reproductive harm.

Visit www.mifab.com for the most recent product information. Design and dimensions are subject to modification. Prices do not include applicable taxes.

Toll Free: 1-800-465-2736, Fax: 1-773-341-3049
sales@mifab.com Canada Toll Free: 1-800-387-3880

MIFAB®, Inc., 1321 West 119th Street, Chicago, Illinois 60643-5109, USA
All sales subject to MIFAB®'s Terms and Warranties, please refer to page no. 14



OPULENZ®

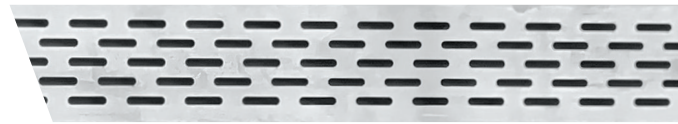


TDSD-2023

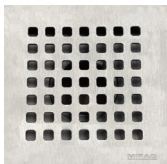
2023

SHOWER DRAIN CATALOG

STAINLESS STEEL
SHOWER DRAINS



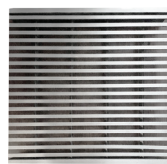
QUATRO



TILE INLAY



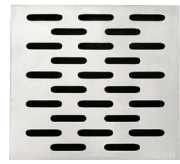
WEDGEWIRE



WAVE



SUBWAY



LIT-077