

THE VISION BOOK



TABLE OF CONTENTS

1 NO HUB COUPLINGS

Quick Hub
No Hub Pictorial Index
POG-TP, P-Trap Gaskets
Expansion Joints



4 DRAINAGE PRODUCTS

MIFAB Modular System
Retrofit Top Set® Drains
Top Set® Floor Drain
Floor Sinks
PVC Floor Sinks
Special Duty Covers
Do you need a clamp?
RoofGuard
Roof Drains
Planter Podium Drain
MEA Trench Drains
Shower Drains



19 FIXTURE CARRIERS

MC-10-CO Water Closet Cleanout Assembly
MC-10 Water Closet Carrier
MC-23D & MC-41-BANK Carriers
MC-41 Concealed Arm Lavatory Carrier
MC-31 Urinal/Plate Type Carrier
Shift & Lift: Water Closet Carrier Offset Repair Kit



26 HDPE INTERCEPTORS

Stocking Program
Corrugated Pipe Risers
Lil Max®, Big Max®, Super Max®



30 HYDROMAX

Siphonic Drainage at a Glance
HydroMax® Products



33 BEECO

Barracuda: Backflow Preventers
Pressure Reducing Valves, Strainers,
Gate Valves, Gauges, Check Valves,
Pressure Vacuum Breakers, MI-CONTROL,
Thermal Expansion Control Valve



37 TRAP SEAL PRIMERS

Water Hammer Arrestors



38 HYDRANTS

Vacuum Breakers
Wall Hydrants



40 C-PORT ROOF SUPPORTS



43 ACCESS DOORS



44 DIALYSIS BOXES



45 CUSTOM FABRICATION



47 ADDITIONAL RESOURCES



Watch Our Product Videos!

Discover all the features and benefits of our products – watch now to learn more!

Visit www.mifab.com for the most recent product information.



Top Set®
Adjustable
Floor Drain



T1400
GRP Trench
Drain



MI-100
Trap Seal
Primer



Barracuda
Backflow
Preventer



Lil Max
Interceptor


WARNING: California Proposition 65 Notice: Some products in this catalog may contain chemicals known to the State of California to cause cancer, birth defects, or other reproductive harm. For more information, please visit www.p65warnings.ca.gov.

NO HUB COUPLINGS

Quick Hub

No Hub Couplings

No need to peel off gasket!
Simply place on pipe

Scan to see a  Quick Hub installation!



MI-QHUB



Also available
in Heavy Duty!

One and Done

Fastest installation on the market - fits easily and effortlessly onto pipe and fittings. No need to roll gasket, remove shield or waste time fumbling with a loose shield.

With Quick Hub, no need to remove gasket first and roll it over the pipe. The patented hourglass shape design ensures the gasket remains within the shield during shipping and handling and allows the Quick Hub to be easily pushed onto the pipe.

Three Sealing Rings

Three sealing rings on Quick Hub gaskets outperform others with only two sealing rings.



Features

Faster Installation:

- Install twice as many couplings in the same amount of time.
- Complete jobs quicker to make deadlines.

Neoprene Material:

- Tested and certified to ASTM C1277, C1540, C1460, CISPI 310, IAPMO and NSF listed.

Faster Assembly:

- Assembles over cast iron fitting with ease.

Quick Install:

- No need to peel back gasket and shield.

Torque Requirements:

- Same 60-80 lb. torque requirements as regular couplings.

Field Tested:

- Tested on high-rise commercial buildings.
- Tested to perform on min/max pipe diameters.

Three Patents:





- US Patent : #10,100,956
- US Patent: #10,253,885
- Us Patent: #10,557,578.



ASTM C1460 Certified

The MI-QHUB and MI-QXHUB no hub couplings are also tested and certified to the ASTM C1460 Standard so that they can be installed onto PVC pipe (up to and including 8") on one end and cast iron pipe on the other end.

Regular and Heavy Duty No Hub Couplings

 <p>MI-HUB Series Regular Duty Shielded No Hub Couplings</p>	 <p>X = Do not remove the gasket from the shield</p>	 <p>MI-XHUB Series Heavy Duty Shielded No Hub Couplings</p>	 <p>X = Do not remove the gasket from the shield</p>
--	--	--	--

Flexible Couplings

 <p>MI-FLEX</p>	 <p>MI-FLEX-CC</p>	 <p>MI-FLEX-CL</p>	 <p>MI-FLEX-CON</p>	 <p>MI-FLEX-SO</p>	 <p>MI-FLEX-DISH</p>
 <p>MI-FLEX-AH</p>	 <p>MI-FLEX-CLAY</p>	 <p>MI-FLEX-SOS</p>	 <p>MI-EC</p>	 <p>C1440-NH</p>	 <p>MI-ELB</p>
 <p>MI-EC-HB</p>	 <p>MI-JS</p>	 <p>MI-SCON</p>	 <p>MI-TEE</p>	 <p>MI-FLEX-DTC</p>	 <p>MI-FLEX-SPF</p>

Transition and Repair Couplings

 <p>POG-SW</p>	 <p>MI-HUB-ARC</p>	 <p>MI-HUB-ARC-CL</p>	 <p>MI-HUB-ARC-DI</p>	 <p>MI-TORQUE</p>	 <p>MI-FLEX-EXP</p>
 <p>MI-HUB-TRS</p>	 <p>MI-HUB-TRS</p>	 <p>MI-FLEX-TRP</p>	 <p>MI-FLEX-TRCC</p>	 <p>MI-HUB-TR</p>	 <p>MI-HUB-TRT</p>
 <p>MI-HUB-TRTW</p>	 <p>MI-FT</p>	 <p>MI-SEW</p>	<p>"I've been installing hub cast iron for over 25 years and this new MIFAB Quick Hub no hub band is the biggest improvement I have used. It's a labor saver and a must-have for any project, large or small!"</p> <p>- Forest Powell Collins Plumbing, San Diego, CA</p>		

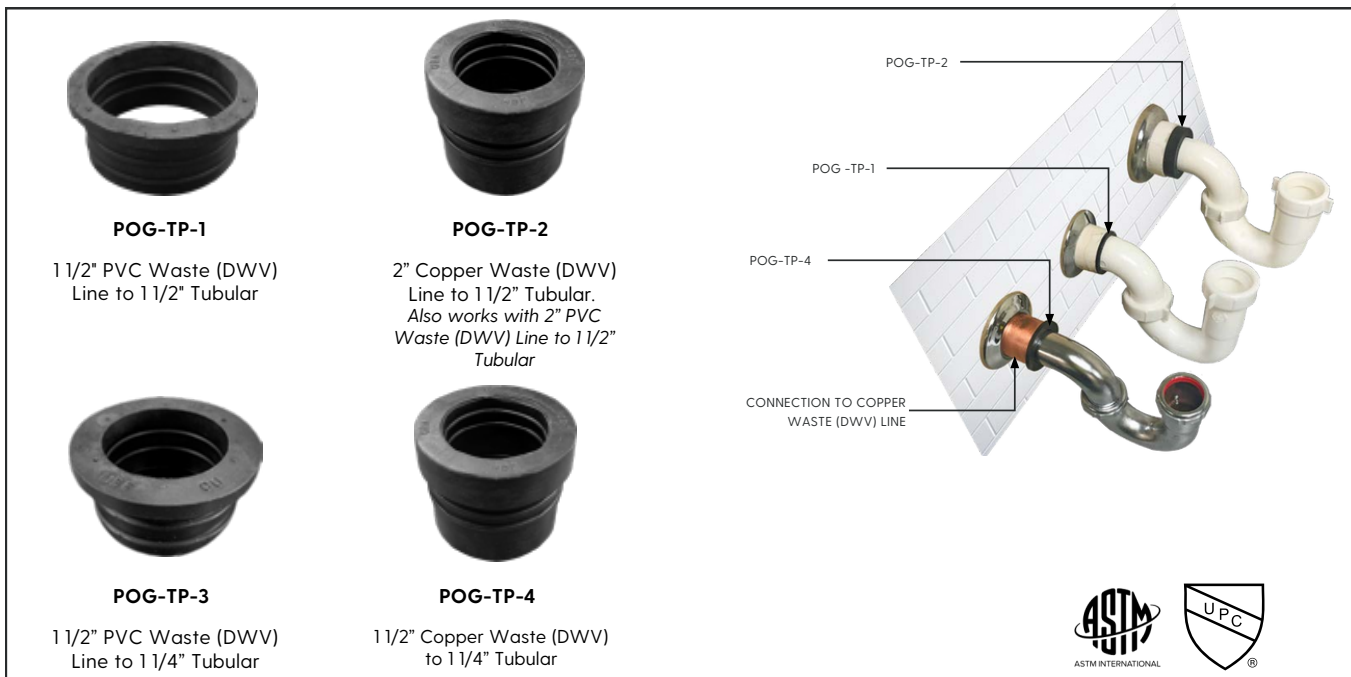
POG-TP

P-Trap Gaskets

Specification: MIFAB® MI-POG-TP Series of neoprene rubber gaskets to connect p-traps to the waste (DWV) line. Tested and certified to the ASTM Standard C564-2020. **Function:** Neoprene rubber gaskets are used to connect different sizes and material types of p-traps to the DWV waste line adjacent to the sink. Large labor savings are attained by not having to make a mechanical connection to the waste line.

Function: Neoprene rubber gaskets are used to connect different sizes and material types of p-traps to the DWV waste line adjacent to the sink. Large labor savings are attained by not having to make a mechanical connection to the waste line.

MODEL NUMBER	DESCRIPTION
POG-TP-1	Connects 1 1/2" PVC Waste Line (DWV) to 1 1/2" Tubular P-Trap
POG-TP-2	Connects 2" Copper Waste Line (DWV) to 1 1/2" Tubular P-Trap P-Trap also connects with 2" PVC Waste Line to 1 1/2" Tubular P-Trap
POG-TP-3	Connects 1 1/2" PVC Waste Line (DWV) to 1 1/4" Tubular P-Trap
POG-TP-4	Connects 1 1/2" Copper Waste Line (DWV) to 1 1/4" Tubular P-Trap.

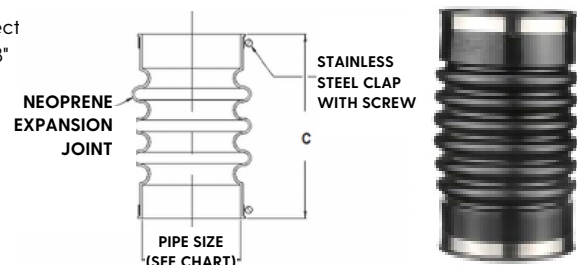


MI-FLEX-EXP

Expansion Joints

MIFAB's MI-FLEX-EXP- Series of Neoprene rubber expansion joints. Used in multifamily buildings as an expansion joint between piping and used to connect cast iron or plastic to cast iron or plastic pipe - 2", 3" and 4" sizes only. 6" and 8" models work with cast iron pipe only.

MODEL NUMBER	PIPE SIZE
C1441.5-NH	1 1/2" Cast Iron, Schedule 40 Plastic or Steel
C1442-NH	2" Cast Iron, Schedule 80 Plastic or 1 1/2" Schedule 40 Plastic Hub
C1443-NH	3" Cast Iron, Schedule 40 Plastic, Steel, SDR 35 Plastic, Copper (DWV), Clay
C1444-NH	4" Cast Iron, Schedule 40 Plastic, Steel, SDR 35 Plastic, Copper (DWV), Clay



The MIFAB Modular System



Floor Drain



Area Drain



Roof Drain



Cleanout

RTS

Top Set® Retrofit Grate & Frame Universal Replacement Assembly

Specification: MIFAB® RTS(**)(**) (*specify grate diameter, ** specify grate material) Top Set® retrofit grate and frame with allen key vandal resistant stainless steel screws in grate and Phillips head screws within the universal bottom ring for vertical and side to side adjustment.

Function: Used in showers, kitchens, restrooms and any other floor areas. It is designed to replace the 5" or 6" diameter grate from from any Zurn, Smith, Josam, Wade, Watts or MIFAB floor drain. Simply remove the existing JaSaWaZ grate, place the RTS bottom universal ring into the recessed area of the strainer and connect it with the existing JaSaWaZ strainer screws. The RTS grate and frame can then be adjusted vertically and side to side to meet the finished flow.

MODEL NUMBER	DESCRIPTION
RTS5-1	5" Diameter retrofit grate and frame - nickel bronze
RTS5-3	5" Diameter retrofit grate and frame - stainless steel
RTS6-1	6" Diameter retrofit grate and frame - nickel bronze
RTS6-3	6" Diameter retrofit grate and frame - stainless steel

SUFFIX	DESCRIPTION
-6	Security screws (T-20 Torx & pin)

Vandal resistant allen key screws

Frame

Universal Ring

Vertical and side to side adjusting screws

Grate. Specify -1 for Nickel Bronze and -3 for Stainless Steel. 5" or 6" Diameter

US Patent #9,453,331

ADJUSTABILITY:

0.23" min

1.45" max

RTOS-1 (pictured below)

5" Diameter nickel bronze retrofit clean out cover and frame. RTOS-3 (Stainless steel) also available.

Drains that are below grade, crooked or broken. The RTS and the RTOS are your answer.



Top Set Adjustment **AFTER** the concrete pour

No need to waste time trying to find the finished floor strainer, it is already included in the Top Set® floor drain assembly.

You don't need to...

- ✗ No shims or washers required to elevate the top.
- ✗ Store the strainer before the concrete pour.
- ✗ Tape over the drain body before the concrete pour.
- ✗ Box out the drain location before the concrete pour.

Advantages of the Top Set Floor Drain®

- Bring the strainer top to grade without removing it.
- Strainer is “top-set” utilizing 3 Phillips screws in the top of the strainer offering 1 ¼” worth of travel.
- Comes standard with a concrete pour cap so you can install the strainer when you install the drain body.
- Eliminate punch list issues with unlevel or recessed tops
- Side to side strainer adjustment to level if the drain is knocked unlevel during the concrete pour.

Stainless Steel Strainer comes standard:

Our stainless steel strainer is the same price as nickel bronze strainer but also has these features:

- Higher tensile strength
- More chemical resistance
- Aesthetically pleasing

Top Set Retrofit Frame and Grate (RTS5-1)

- MIFAB's RTS5-1 retro-fit ring and grate is designed to be placed into any JaSaWaZ 5" round floor drain strainer.
- Simply remove the existing JaSaWaZ grate, place the RTS-UR-1 universal ring into the recessed area of the strainer and connect it with the screws provided. The RTS5-1 frame and grate can then be vertically adjusted and also adjusted side to side to meet the finished floor.
- The Retro-fit frame and grate is available in 5" and 6" round and square, nickel bronze and stainless steel and also for 5" round clean-outs to replace any JaSaWaZ floor drain grates/clean-out covers.

US PATENT #9,453,331



F1100-C-TS
(CAST IRON BODY)

Also available in round and square models and clean-outs.



F220-TS-WF
(PVC BODY)

Also available in round and square models and clean-outs.

SCAN THIS QR CODE TO VIEW
THE TOP SET INSTALLATION



RTS	
MODEL NUMBER	DESCRIPTION
RTS5-1	5" Diameter retrofit grate and frame - nickel bronze
RTS5-3	5" Diameter retrofit grate and frame - stainless steel
RTS6-1	6" Diameter retrofit grate and frame - nickel bronze
RTS6-3	6" Diameter retrofit grate and frame - stainless steel
RTSS5-1	Retro-fit kit for 5" x 5" square nickel bronze strainers
RTSS6-1	Retro-fit kit for 6" x 6" square nickel bronze strainers
RTOS-1	Retro-fit kit for 5" round nickel bronze clean-outs
RTOS-3	Retro-fit kit for 5" round stainless steel clean-outs

A GRATE

Furnished A.R.E.-coated cast iron, stainless steel or nickel bronze. Each is ultimately designed for smooth flow into the drain body. Regularly furnished with a full grate, also available are half grate and three-quarter grates. (See page 98 bottom right corner for MIFAB's unique 3 in 1 nickel bronze and stainless steel floor sink design).

B TOP

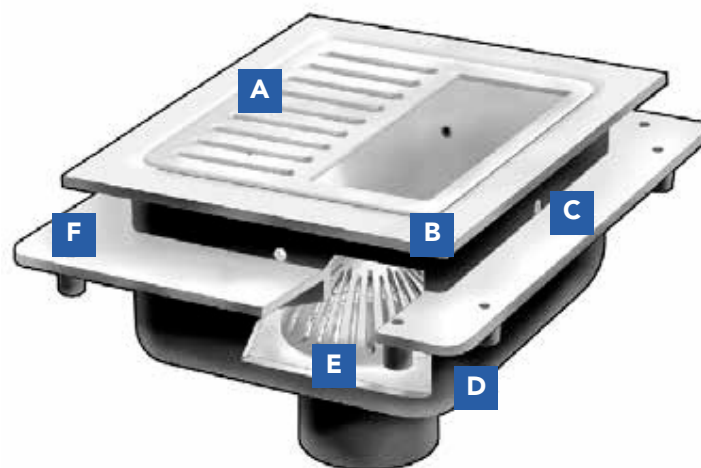
Available in round or square in a variety of sizes and materials, each of which allows maximum flow, sanitation and serviceability. See individual series for proper selection.

C WEEPHOLES

Provided when the body is specified with a flange. Weepholes allow for the drainage of entrapped water which seeps down the outside of the body.

D BODY

Cast iron with A.R.E. coating inside giving a smooth finish which allows for easy drainage as well as increased sanitation. Easily cleaned because of the smooth finish, the drains are highly functional as well as aesthetically pleasing.



E DOME STRAINER

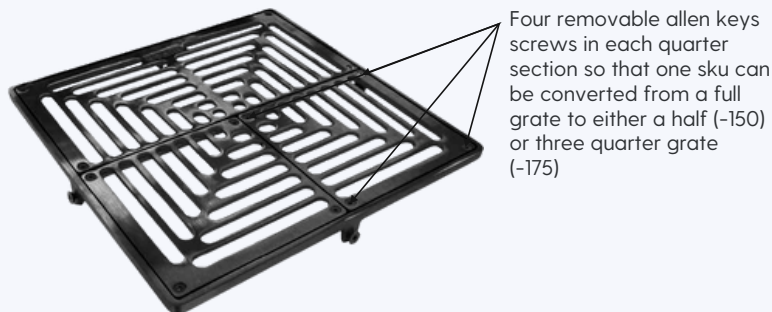
Minimizes splashing as well as preventing debris from entering the drainage lines. The dome also allows for maximum water flow.

F MEMBRANE CLAMP

Provided for applications in finished floors which incorporate a waterproofing membrane. Used to secure the membrane to the drain body, the flashing clamp provides a watertight seal at the drain.


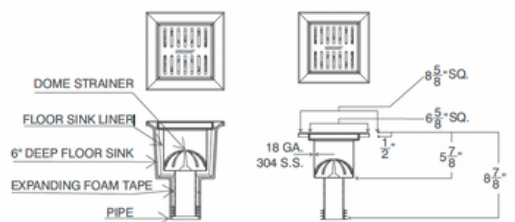

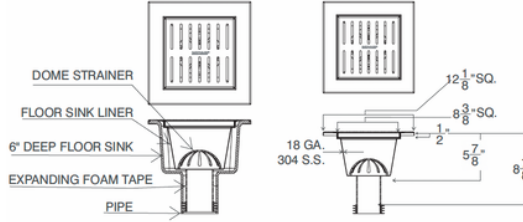

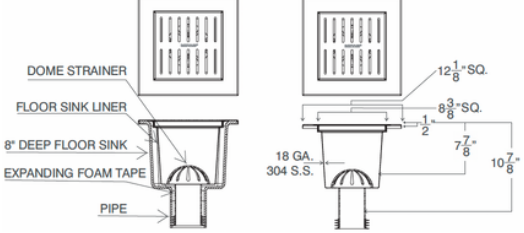

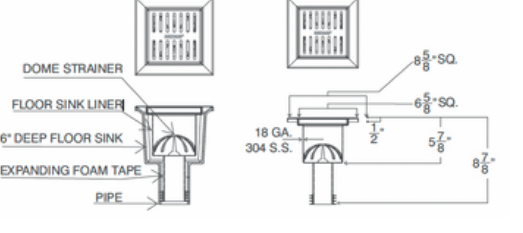
PATENTED 3 IN 1 NICKEL BRONZE (-1) AND STAINLESS STEEL (-3) FLOOR SINK FRAME AND GRATE DESIGN:

MIFAB's patented (U.S. patent # 9,458,616) -1 and -3 floor sink frame and grate design is always shipped as a full grate. The installer has the option to remove either one quarter of the grate (to achieve a three quarter grate) or two quarters of the grate (to achieve a half grate). This provides maximum flexibility and choice during the installation process. This frame and grate design is available for the 8" x 8", 12" x 12", 8" round and 12" round floor sinks.



Drainage: Floor Sink Replacement Stainless Steel Liner

Used in areas where the porcelain enamel floor sink has chipped and / or worn off from already installed 8" x 8" x 6" deep floor sinks. The FS1970 stainless steel liner is inserted into the existing porcelain enamel floor sink.

<p>FS1970</p> <p>8" x 8" x 6" Replacement Stainless Steel Floor Sink Liner</p> <p>Description: MIFAB FS1970 Series of Type 304 stainless steel floor sink replacement liner for 8" x 8" x 6" deep floor sinks. Manufactured with internal pipe gasket seal and light duty slotted loose set grate and aluminum dome strainer.</p>   <table border="1"> <thead> <tr> <th colspan="4">PRODUCT INFORMATION</th> </tr> <tr> <th>MODEL NO.</th> <th>PIPE SIZE</th> <th>WEIGHT (LBS.)</th> <th>FREE AREA</th> </tr> </thead> <tbody> <tr> <td>FS1972</td> <td>2"</td> <td>5</td> <td>12.30"</td> </tr> <tr> <td>FS1973</td> <td>3"</td> <td>5</td> <td>12.30"</td> </tr> <tr> <td>FS1974</td> <td>4"</td> <td>5</td> <td>12.30"</td> </tr> </tbody> </table>	PRODUCT INFORMATION				MODEL NO.	PIPE SIZE	WEIGHT (LBS.)	FREE AREA	FS1972	2"	5	12.30"	FS1973	3"	5	12.30"	FS1974	4"	5	12.30"	<p>FS1980</p> <p>12" x 12" x 6" Replacement Stainless Steel Floor Sink Liner</p> <p>Description: MIFAB FS1980 Series of Type 304 stainless steel floor sink replacement liner for 12" x 12" x 6" deep floor sinks. Manufactured with internal pipe gasket seal and light duty slotted loose set grate and aluminum dome strainer.</p>   <table border="1"> <thead> <tr> <th colspan="4">PRODUCT INFORMATION</th> </tr> <tr> <th>MODEL NO.</th> <th>PIPE SIZE</th> <th>WEIGHT (LBS.)</th> <th>FREE AREA</th> </tr> </thead> <tbody> <tr> <td>FS1982</td> <td>2"</td> <td>6</td> <td>22"</td> </tr> <tr> <td>FS1983</td> <td>3"</td> <td>6</td> <td>22"</td> </tr> <tr> <td>FS1984</td> <td>4"</td> <td>6</td> <td>22"</td> </tr> </tbody> </table>	PRODUCT INFORMATION				MODEL NO.	PIPE SIZE	WEIGHT (LBS.)	FREE AREA	FS1982	2"	6	22"	FS1983	3"	6	22"	FS1984	4"	6	22"
PRODUCT INFORMATION																																									
MODEL NO.	PIPE SIZE	WEIGHT (LBS.)	FREE AREA																																						
FS1972	2"	5	12.30"																																						
FS1973	3"	5	12.30"																																						
FS1974	4"	5	12.30"																																						
PRODUCT INFORMATION																																									
MODEL NO.	PIPE SIZE	WEIGHT (LBS.)	FREE AREA																																						
FS1982	2"	6	22"																																						
FS1983	3"	6	22"																																						
FS1984	4"	6	22"																																						
<p>FS1990</p> <p>12" x 12" x 8" Replacement Stainless Steel Floor Sink Liner</p> <p>Description: MIFAB FS1990 Series of Type 304 stainless steel floor sink replacement liner for 12" x 12" x 8" deep floor sinks. Manufactured with internal pipe gasket seal and light duty slotted loose set grate and aluminum dome strainer.</p>   <table border="1"> <thead> <tr> <th colspan="4">PRODUCT INFORMATION</th> </tr> <tr> <th>MODEL NO.</th> <th>PIPE SIZE</th> <th>WEIGHT (LBS.)</th> <th>FREE AREA</th> </tr> </thead> <tbody> <tr> <td>FS1992</td> <td>2"</td> <td>7</td> <td>22"</td> </tr> <tr> <td>FS1993</td> <td>3"</td> <td>7</td> <td>22"</td> </tr> <tr> <td>FS1994</td> <td>4"</td> <td>7</td> <td>22"</td> </tr> </tbody> </table>	PRODUCT INFORMATION				MODEL NO.	PIPE SIZE	WEIGHT (LBS.)	FREE AREA	FS1992	2"	7	22"	FS1993	3"	7	22"	FS1994	4"	7	22"	<p>FS2000</p> <p>12" x 12" x 10" Replacement Stainless Steel Floor Sink Liner</p> <p>Description: MIFAB FS2000 Series of Type 304 stainless steel floor sink replacement liner for 12" x 12" x 10" deep floor sinks. Manufactured with internal pipe gasket seal and light duty slotted loose set grate and aluminum dome strainer.</p>   <table border="1"> <thead> <tr> <th colspan="4">PRODUCT INFORMATION</th> </tr> <tr> <th>MODEL NO.</th> <th>PIPE SIZE</th> <th>WEIGHT (LBS.)</th> <th>FREE AREA</th> </tr> </thead> <tbody> <tr> <td>FS2002</td> <td>2"</td> <td>7</td> <td>22"</td> </tr> <tr> <td>FS2003</td> <td>3"</td> <td>7</td> <td>22"</td> </tr> <tr> <td>FS2004</td> <td>4"</td> <td>7</td> <td>22"</td> </tr> </tbody> </table>	PRODUCT INFORMATION				MODEL NO.	PIPE SIZE	WEIGHT (LBS.)	FREE AREA	FS2002	2"	7	22"	FS2003	3"	7	22"	FS2004	4"	7	22"
PRODUCT INFORMATION																																									
MODEL NO.	PIPE SIZE	WEIGHT (LBS.)	FREE AREA																																						
FS1992	2"	7	22"																																						
FS1993	3"	7	22"																																						
FS1994	4"	7	22"																																						
PRODUCT INFORMATION																																									
MODEL NO.	PIPE SIZE	WEIGHT (LBS.)	FREE AREA																																						
FS2002	2"	7	22"																																						
FS2003	3"	7	22"																																						
FS2004	4"	7	22"																																						

Optional variations available for all stainless steel sink liners:

SUFFIX	DESCRIPTION
-5	Sediment Bucket (FS1500-PB)
-22	Less Stainless Steel grate (deduct)
-150	Half Grate
-175	Three Quarter Grate

MIFAB's 3 in 1 Floor Sink PVC Grate Assembly

PRODUCT INSTALLED

FS520 and FS720 Series PVC
Floor Sinks

WHOLESALER

Midsouth Plumbing and Electric Supply
Jonesboro, AR

MIFAB SALES AGENT

Blackjack Mountain Marketing



MIFAB Patent: #9,458,616

Hear from Our Customers

“ The new three in one grate for the PVC floor sinks have allowed us as a wholesale company to lower the amount of sku's that we have to keep in stock. Before we had to keep a full grate, a 3/4 grate and a 1/2 grate to be able to supply the customers with whatever configuration would be required for each job. Now one grate does it all. This benefits the plumbing contractor as well as by always having the correct grates as required. They can now wait until the end of the job to make whatever configuration is needed. As we all know, jobs are constantly changing and this allows us to never have the wrong grate installed. This also brings a certain amount of safety to the job site. By keeping the floor sink covered with a full grate the possibility of someone stepping into the 1/2 open portion is taken out of the equation. I hope this helps and serves as our testimonial to the strengths of the three in one grate design from a wholesaler's point of view and some insight I've received from plumbers. ”

Ronald Wheelless, Midsouth Plumbing and Electric Supply, Jonesboro, AR

PVC Floor Sinks

FS520-30 & FS720-30

The PVC Floor Sink systems offers the following:

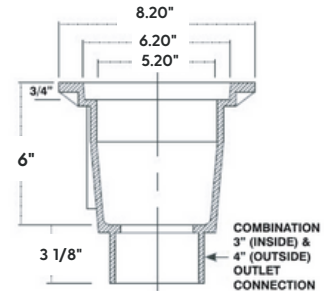
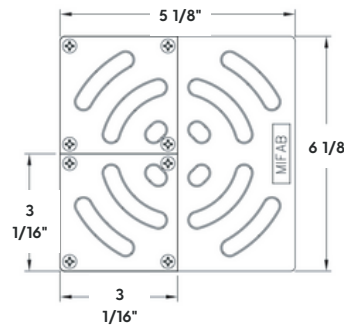
- 2", 3", 4" all in one
- 3 in 1 sectional grate design, with removable quarter sections
- 6" deep sink
- High chemical resistance
- Light weight
- bottom dome strainer
- Available with nickel bronze & stainless steel grates



FS520-30 - 8" Square

MODEL NO.	OUTLET SIZE
FS522-30	2" socket
FS523-30	3" socket
FS524-30	4" socket

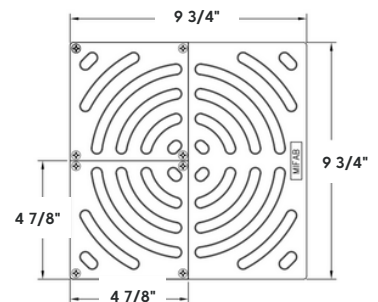
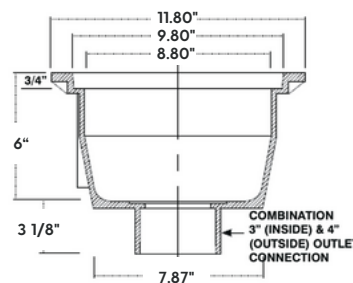
NOTE: 4" outlet socket connection body fits over 4" PVC pipe and into 3" PVC pipe . 2" adaptor included.



FS720-30 - 12" Square

MODEL NO.	OUTLET SIZE
FS722-30	2" socket
FS723-30	3" socket
FS724-30	4" socket

NOTE: 4" outlet socket connection body fits over 4" PVC pipe and into 3" PVC pipe . 2" adaptor included.



Standout PVC Floor Sink Features

- **Sanitary Design:** Minimizes crevices for easy hygiene.
- **Chemical Resistant:** Withstands acids, enzymes, and fats.
- **Easy to Clean:** Smooth, uniform surface for quick maintenance.
- **Durable:** Chip- and rust-proof for lasting quality.
- **Lightweight:** Easy to handle, install, and transport.

SPECIAL DUTY LOAD RATED CLEANOUT TOP

The perfect cleanout for the industrial warehouse environment.



KEY ADVANTAGES:

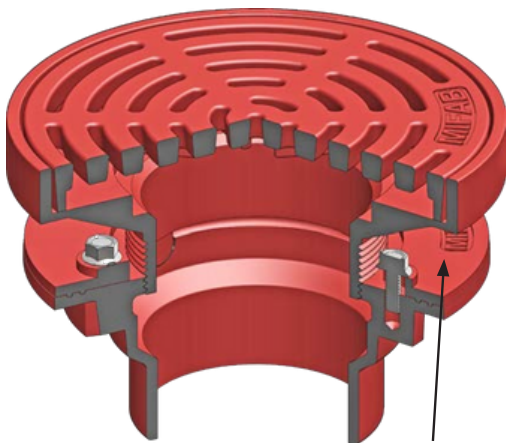
- “Special Duty” load rated cover - over 10,000 lbs.
- Ductile Iron cover – 1/2” thick with no recesses around the edges.
- Will not crack or dish when forklifts drive over it.
- Threads into MIFAB® A1 and A4 bodies.



Part No. XR-4

MIFAB Cleanout assembly model # is C1100-XR-4

HEEL PROOF GRATE



F1320-C illustrated

Optional
membrane clamp
(Suffix -C)

FOUR IN ONE AREA DRAIN DESIGN:

MIFAB® Area Drains utilize a unique Four-in-One Top Design:

- Adjustable
 - Fixed
 - Extra Heavy Duty Load Rating
 - Regular Duty Load Rating
-
- Most of our competitors have four (4) different area drains to do what one (1) MIFAB area drain can do.
 - Standard floor drain can be converted into an are drain by simply swapping strainer.
 - Use with or without membrane clamp. Save money by not using the membrane clamp.
 - MIFAB grates are standard DUCTILE IRON - not cast iron.

DYNAC? (Do you need a clamp?)



Except for MIFAB, the specification drain manufacturers require a membrane clamp in most, if not all of their floor and area drains to receive fixed(non-adjustable) or adjustable top assemblies.

Most floor and area drains are installed in “slab on grade” areas where no waterproofing membrane is required. The MIFAB body design incorporates a female thread to accept adjustable top assemblies up to 9” diameter or 8” square and lugs on the larger bodies which receive top assemblies 12” diameter and larger.



This feature significantly reduces the installed cost of most floor and area drains because the installer can avoid using and paying for the membrane clamp

Non membrane floors
(no waterproofing)



Membrane floors
(with waterproofing)



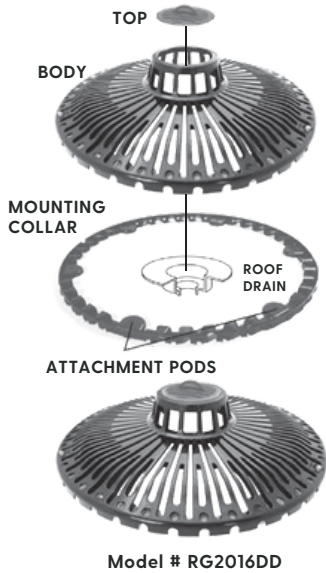
When MIFAB drains are installed in waterproofed areas, an optional (Suffix-C) membrane clamp is available.

Specify MIFAB’S floor drains with heavy duty stainless steel strainer **FOR THE SAME PRICE** as conventional floor drains with membrane clamps and light duty nickel bronze strainers.

ROOFGUARD



Model RG2016DD
illustrated



Make Roof Drains Uncloggable Applications:

Ideal to replace existing roof drain domes on the roofs of schools, warehouses, factories, office buildings and any other building that has standing water on the roof due to clogged roof drain domes.

RoofGuard ELIMINATES STANDING WATER:

Patented design increases surface area by up to 5x or more making a RoofGuard protected drain virtually uncloggable. RoofGuard **SAVES \$\$**

- RoofGuard works 24/7.
- Eliminates leaks and costly repairs caused by clogged drains.
- RoofGuard will replace any Roof Drain Dome Strainer up to 15" in diameter.
- Installation is fast, simple, and requires no tools.
- Removable Top allows easy access to drain and piping without detaching RoofGuard.

Instructions:

1. Clean and remove all dirt, debris, and other loose material in area around the drain where RoofGuard is to be installed. After cleaning, if the area is wet dry it off removing as much moisture as possible.
2. Remove and dispose of current drain dome strainer.
3. Turn RoofGuard over and fill the Attachment Pods with an exterior adhesive such as Chemlink M-1 or equal. Make sure the Pods are completely full and overflowing with adhesive to properly bond.
4. Turn RoofGuard over to install over the drain. Press firmly on top of the Attachment Pods to ensure good adhesion to the roof surface.

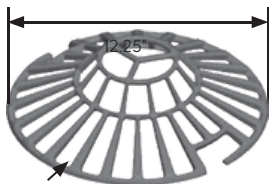


6 pack polyethylene
RoofGuard counter
display.
Part# RG2016DD-6



RoofGuard -
Polyethylene
scupper drain.
Model #RG2016DG

CAST IRON ROOFGUARD

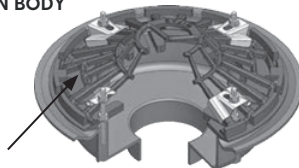


CAST IRON ROOFGUARD
(MODEL # RG2016DDC)

U.S.
Patent #
D803992



ZURN, JR SMITH,
WADE, JOSAM, WATTS
OR MIFAB CAST IRON
DRAIN BODY



CAST IRON
ROOFGUARD BOLTED
TO THE JASAWAZ
ROOF DRAIN BODY

In applications where a cast iron RoofGuard is preferred, MIFAB's model number RG2016DDC cast iron RoofGuard is ideal.

Applications:

Ideal to replace existing roof drain domes on the roofs of schools, warehouses, factories, office buildings and any other building that has standing water on the roof due to clogged roof drain domes. The cast iron RoofGuard ensures a long life. It is also positively bolted to the roof drain body and membrane clamp.

Instructions:

The RoofGuard will retrofit onto any existing roof drain (MIFAB, Zurn, JR Smith, Wade, Josam or Watts body).

1. Remove the existing roof drain dome. Remove the bolts from the membrane clamp ring one at a time and replace them with the provided hardware (MIFAB HS-19).
2. Assemble the threaded rods into the body. Add the washer and nut onto the threaded rod, securing the membrane clamp ring to the body. Add another nut and washer to the threaded rod, one inch above the membrane clamp ring (adjusting nut).
3. Repeat this process until all bolts on the membrane clamp ring have been removed and replaced.
4. Place the RoofGuard over the drain body.
5. Add a washer and nut to the top of all of the threaded rods in order to secure the dome. Cut the excess thread off of the threaded rods

ROOFGUARD

MODEL NUMBER	DESCRIPTION
RG2016DD	Polyethylene RoofGuard
RG2016DD-6	Polyethylene RoofGuard, 6 pack
RG2016DDC	Cast Iron Roofguard
RG2016DG	Polyethylene Scupper RoofGuard



Scan the above to
view the Roofguard
in action!

MI-CONN

Cast Iron Connection Fitting for Decks and Between Slabs

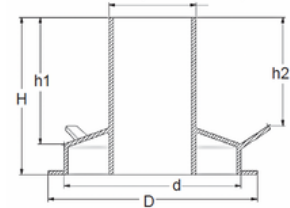
Fixture mounting and connection fitting. The MI-CONN secures drains to the slab / deck during rough-in. Provides easy access to integral connections when wood deck forms are removed or add to it for thicker slabs. Ideal for insulated and non insulated pipes. Cast iron construction allows for use as a firestop sleeve.



MODEL NUMBER	PIPE SIZE	D	d	H	h1	h2
MI-CONN-2	2" NH	10 1/2"	8 1/2"	8"	6 3/4"	6 1/4"
MI-CONN-3	3" NH	10 1/2"	8 1/2"	8"	6 3/4"	5 7/8"
MI-CONN-4	4" NH	10 1/2"	8 1/2"	8"	6 5/8"	5 1/2"
MI-CONN-6	6" NH	10 1/2"	10 1/2"	8"	6 5/8"	6"



PIPE SIZE (SEE CHART)



★ Available in March 2025

MI-SCOV

Cast Iron Sewer Box Sewer Lid and Sewer Cover

MODEL NUMBER	DESCRIPTION
MI-SCOV-W-8	8" water lid and collar
MI-SCOV-S-8	8" sewer lid and collar
MI-SCOV-8	8" plain lid and collar
MI-SCOV-W-10	10" water lid and collar
MI-SCOV-S-10	10" sewer lid and collar
MI-SCOV-10	10" plain lid and collar



MI-SCOV-W-8
Top view



MI-SCOV
Side view

SUFFIX	OVERALL DIAMETER	COVER DIAMETER	HEIGHT
MI-SCOV-8	11"	9"	2.50"
MI-SCOV-10	13"	11"	2.50"

SUFFIX	OPTIONAL VARIATION
-11	Acid resistant epoxy coated lid and collar
-13	Galvanized lid and collar

CF

Cast Iron Closet Flange with Gasket Connection

MODEL NUMBER	DESCRIPTION	CARTON QUANTITY
CF32TC	4" Dia. top mounting flange x 3" pipe connection x 2" high with integral rubber test cap	12
CF42	4" Dia. top mounting flange x 4" pipe connection x 2" high - no test cap	8
CF42TC	4" Dia. top mounting flange x 4" pipe connection x 2" high with integral rubber test cap	8
CFOS24TC	4" Dia. top mounting offset flange x 4" pipe connection x 2" high with integral rubber test cap	12
CF44DTC	4" Dia. top mounting flange x 4" pipe connection x 4" high with integral rubber test cap	8
CF46DTC	4" Dia. top mounting flange x 4" pipe connection x 6" high with integral rubber test cap	8



CF42TC



CFOS42TC



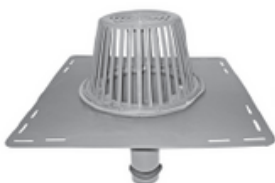
CF44DTC

NOTE:
CFOS42TC has 4 slots on the top so that the offset can be in two different positions.

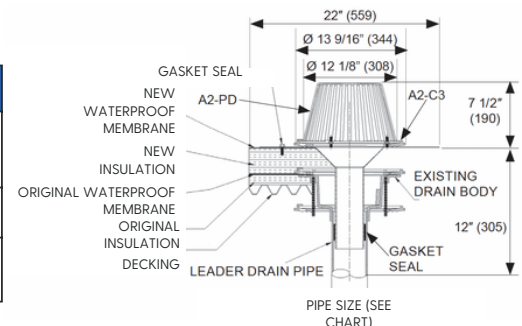
RFD

Replacement Roof Drain

Manufactured from 16 gauge steel with an acid resistant powder epoxy coating on bearing pan and funnel body. Furnished with poly dome strainer, dome receiver with integral gravel guard and gasket seal.

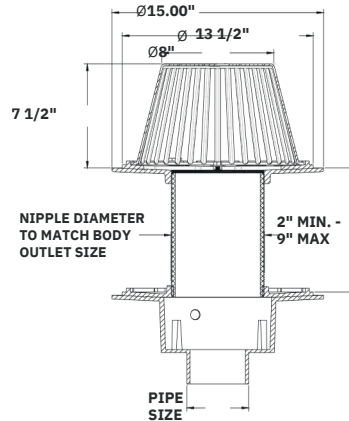
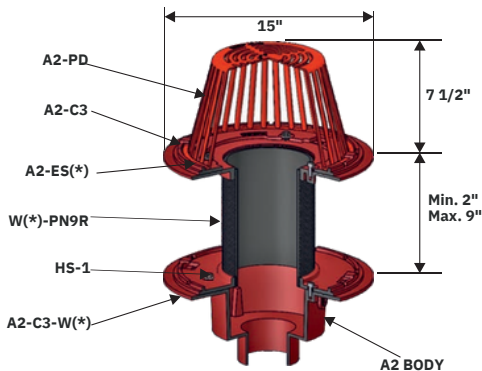


MODEL NUMBER	PIPE SIZE	SUFFIX	OPTIONAL VARIATION
RFD-3	3" [76] Push-In	-6	Vandal proof dome (metal dome only)
RFD-4	4" [76] Push-In	-M-80	Low aluminum dome
RFD-5	5" [76] Push-In	-M	Cast iron dome
RFD-6	6" [76] Push-In		



R1200-ES

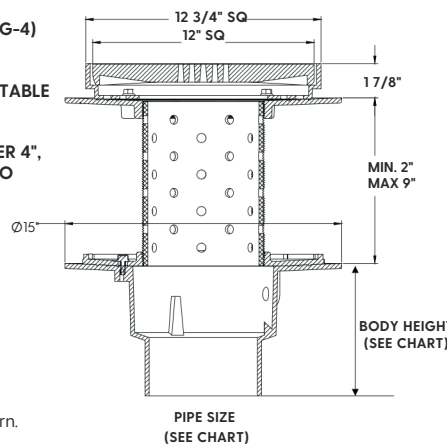
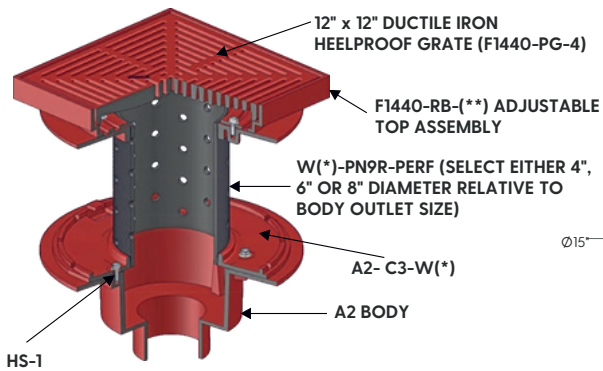
Large Sump Roof Drain with Extension for 2"-9" insulation when body is poured into the deck



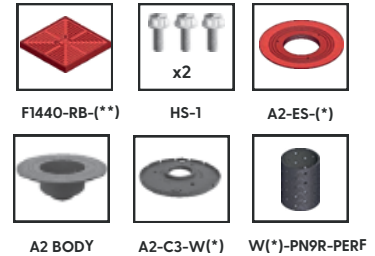
The -ES adjustable extension can be moved up and down in the A2 body (2" to 9") to meet the required insulation thickness on top of the roof deck.

R1200-RB

Large Sump Deck Drain with Adjustable Extension and 12" x 12" heel-proof, rotatable top assembly R1200-RB



PARTS



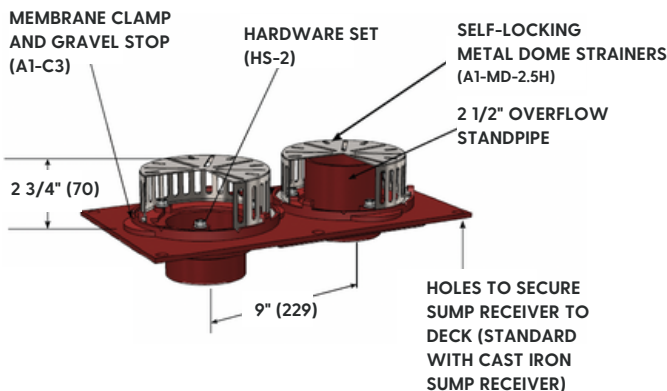
(*) Indicates 4", 6" or 8" Diameter
 (**) Denotes strainer finish (-1, -3 or -4)

The nipple can be adjusted up and/or down to the desired height. Separately, the top assembly can be rotated to match the tile pattern.

R1200-RB is also available with 12" round top assembly. (Suffix -R same list prices as square model).

R1150-M-2.75

Cast Iron Combined Roof Drain with Stainless Steel Domes and Overflow Pipe



MIFAB New Series R1150-M-2.75 – with 2 1/2" high low profile dome strainers; combined roof drain and secondary overflow system, consisting of one piece lacquered cast iron drain body with integral sump receiver, cast iron waterproofing membrane clamp rings with integral. These are ideal for installations underneath podium decks where the current 5 1/2" high A1 domes are too high.

★ R1150 Series Meets ASME roof drain standard A112.6.4-2003

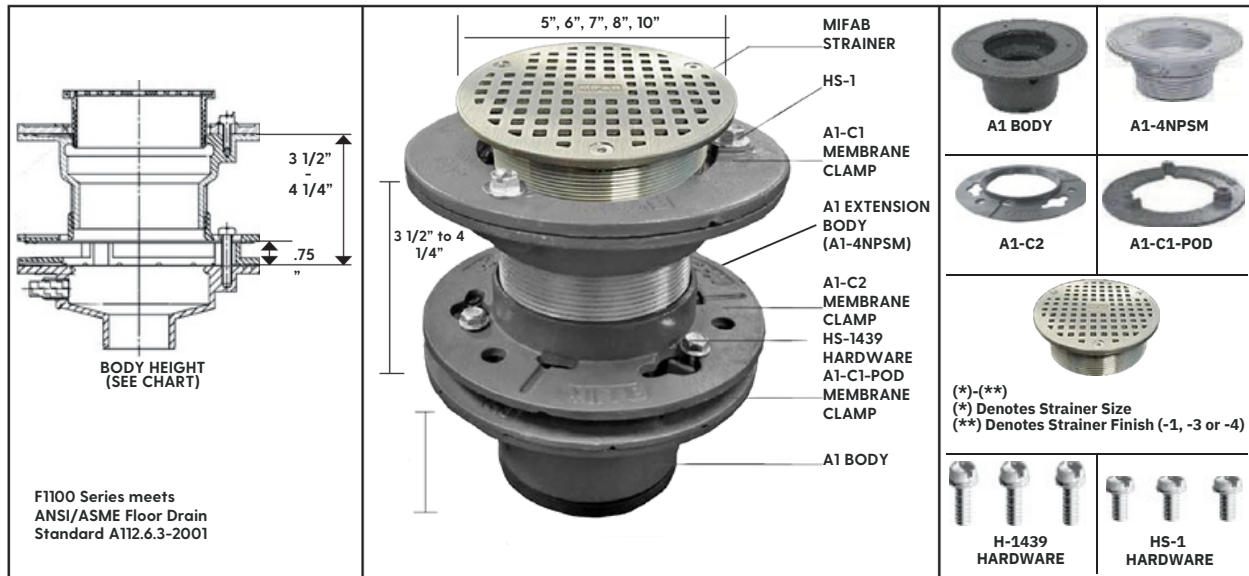
MODEL NUMBER	DESCRIPTION	OUTLET TYPE	BODY HEIGHT
R1152-M-2.75H	2"	No Hub	3" (76)
R1153-M-2.75H	3"	No Hub	3" (76)
R1154-M-2.75H	4"	No Hub	3" (76)

F1100-C-4POD

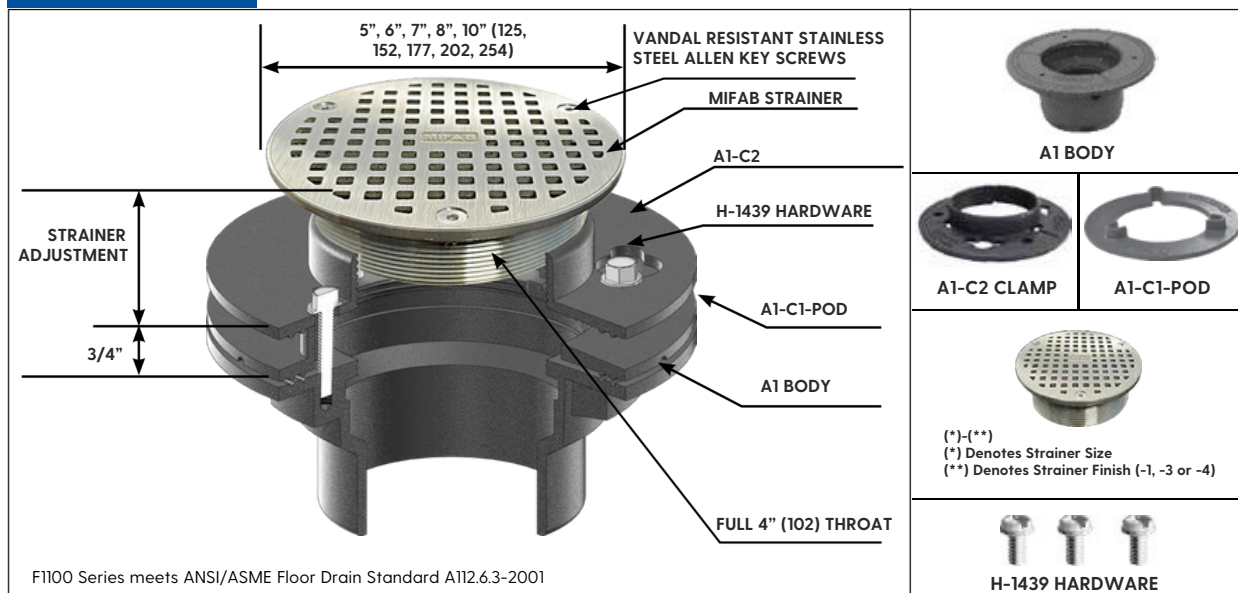
Planter Podium Drain

Specification: MIFAB® Series F1100-C-4POD (* specify strainer diameter) lacquered cast iron floor drain with anchor flange, high rough in membrane clamp, extension body, drain body clamp and strainer (specify -1 for nickel bronze, -3 for stainless steel) with vandal resistant stainless steel allen key screws.

Function: Typically used in planters which are integrated into various locations across the podium. Planters require a secondary concrete pour - over the podium's primary drainage membrane. MIFAB's system allows the use of a second drain body to properly drain and waterproof the interior of the planter.



F1100-C-POD

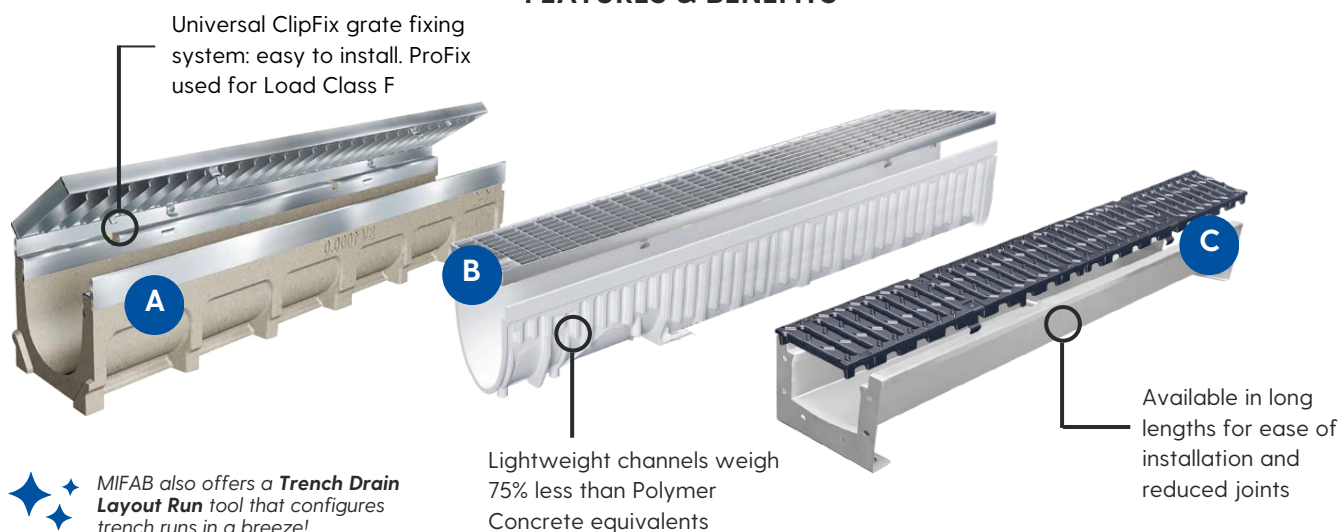


Trench Drains



BUILDING SUCCESS

FEATURES & BENEFITS



A Polymer Concrete

Material:

High strength (15,000 psi) polymer concrete.

Rails:

Galvanized Steel, Stainless Steel or Ductile Iron Edge Rails.

Load Rating:

Load Class A-F (200,000 lb. {900 Kn}).

Operating Temperature:

180° operating temperature range.

Shallow Depth channels available in 4" and 8".

B Glass-Fiber Reinforced Polyester (GRP) Channels

Material:

High strength and more stable than HDPE and polypropylene. Expands and contracts similar to the concrete encasement.

Rails:

No Edge, Galvanized, Stainless Steel, and Ductile Iron Edge Rails.

Load Rating:

Load Class A-F (202,000 lb.){900Kn}.

Operating Temperature:

212° operating temperature range.

Shallow Depth channels available in 4" and 8".

C Stainless Steel Channels

Material:

16 gauge Type 304 Stainless Steel.

Load Rating:

Load Class A-E (135,000 lb. {600 Kn}).

Custom capabilities and discreet "Slot" style stainless steel drains available.

Scan to learn more our trench drains



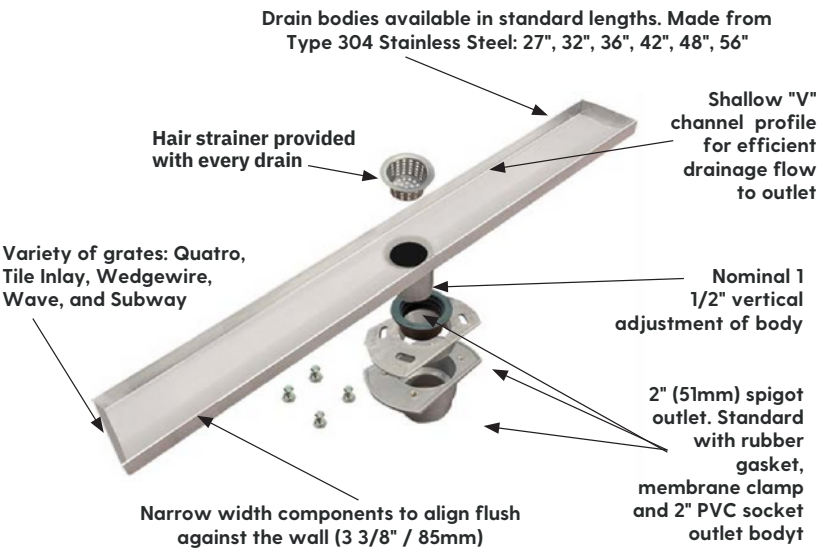
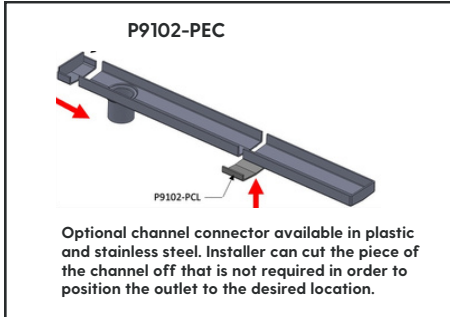
All three channels have the following features:

- ✓ Installation Devices
- ✓ Sloping and non-sloping channels
- ✓ Interchangeable Grates using "ClipFix" grate fixing system (Load Class A-E)
- ✓ Available in 4", 8", and 12" internal width
- ✓ Pour board and (2) installation devices included with each channel

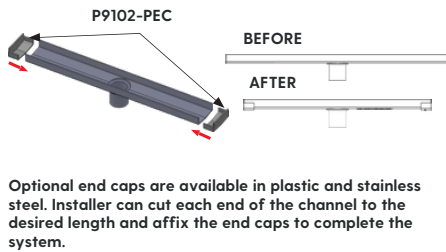
Grate Offering:

- ADA grates for handicapped accessible areas
- Heelproof grates for areas with high heels
- Ductile iron slotted, longitudinal and decorative grates
- Perforated and mesh grates made of galvanized and stainless steel
- Slotted grates made of galvanized and stainless steel
- Longitudinal galvanized and stainless steel grates

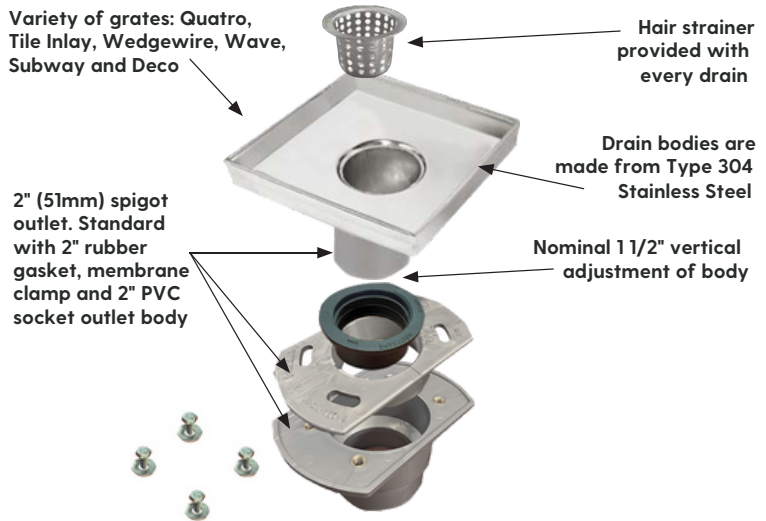
STAINLESS STEEL LINEAR DRAIN - FEATURES AND BENEFITS



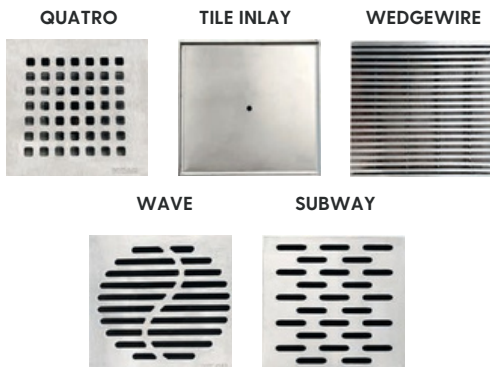
STAINLESS STEEL POINT DRAIN - FEATURES AND BENEFITS



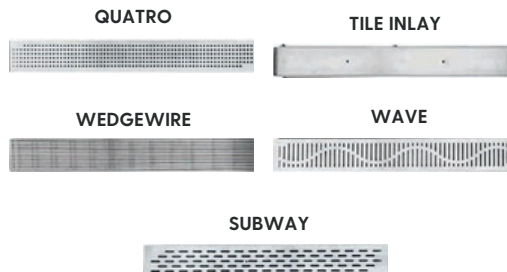
STAINLESS STEEL POINT DRAIN PACKAGING



POINT DRAIN GRATES



LINEAR SHOWER DRAIN GRATES

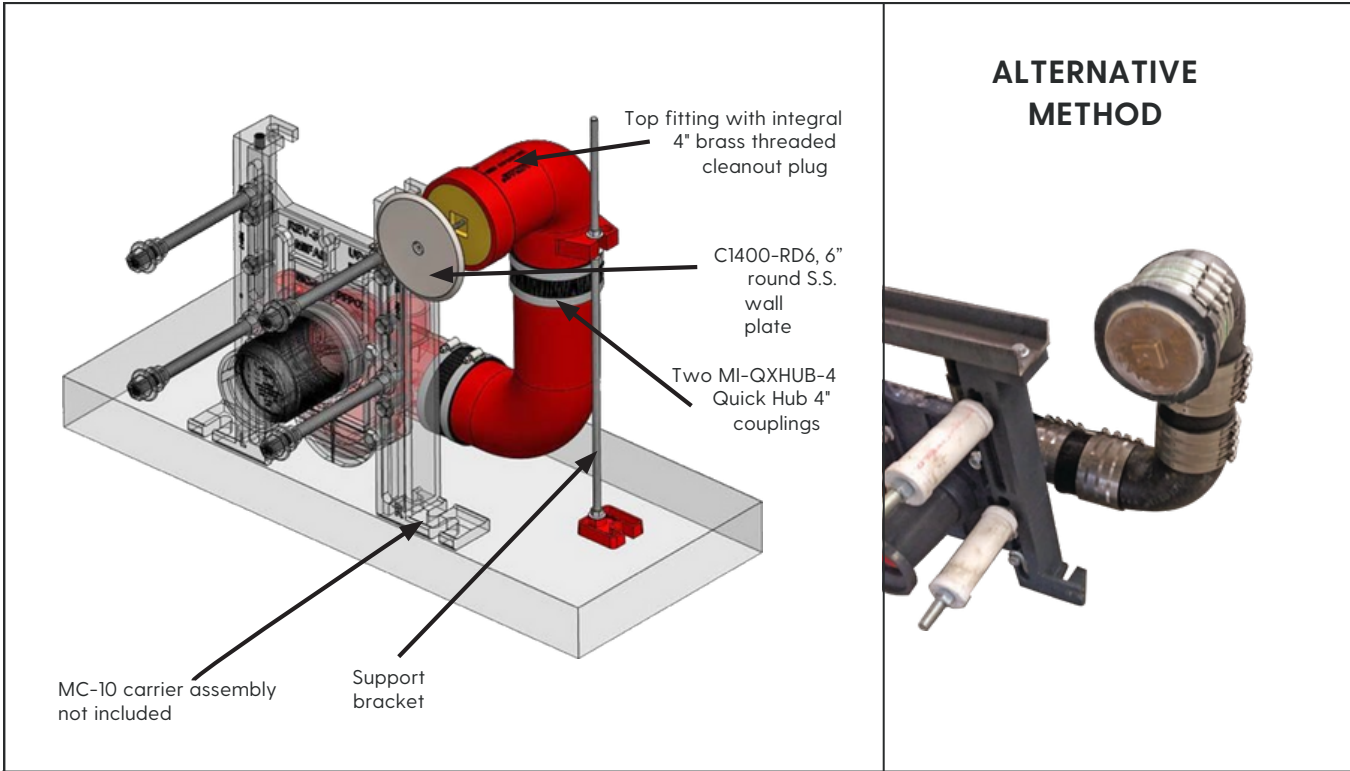


MC-10-CO

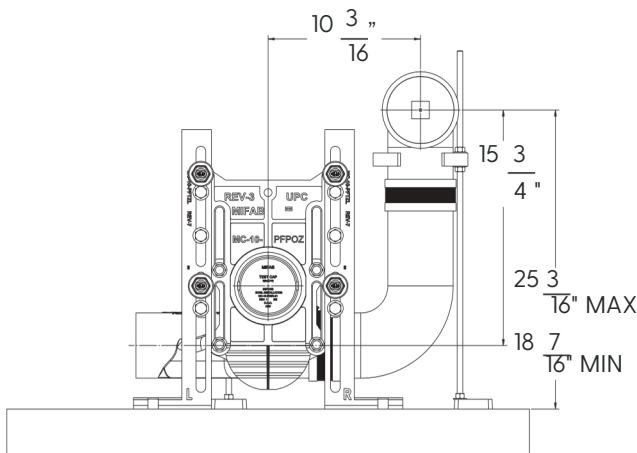
Water Closet Carrier Cleanout Assembly

Save time and money by installing the MIFAB MC-10-CO water closet carrier cleanout assembly. This eliminates the need to source and assemble several additional parts. Five no hub couplings are reduced to two. The 4" threaded brass cleanout plug is built into the top fitting instead of having to order a separate part. The stainless steel wall plate is included with screw.

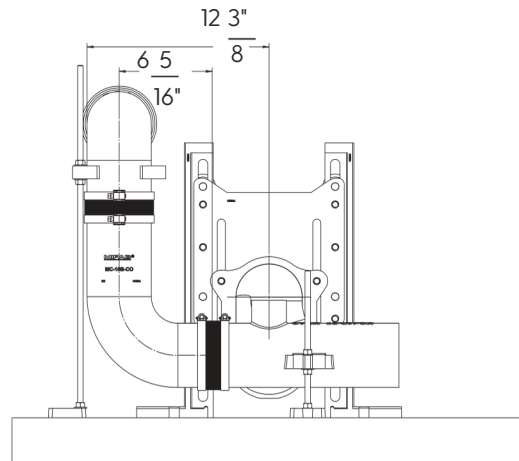
The MC-10-CO ships complete in a box with the following components: 2 pieces of the MI-QXHUB-4 Quick Hub couplings, 1 quarter bend fitting for the bottom, 1 top fitting with integral 4" brass threaded cleanout plug, 1 support bracket for assembly and one 6" round stainless steel wall plate with screw to assemble onto the finished wall



MC-10-CO FRONT VIEW



MC-10-CO REAR VIEW



MC-10

Water Closet Carriers

NARROW LEGS
2 3/4" legs for narrow install. Outside top of leg removed for unobstructed access to anchor bolt in foot.

UNIVERSAL
Same faceplate used for both siphon jet and blow-out toilets.

SUPPORT
1/2" tapping to receive 10" long piece of 1/2" all threaded rod and split ring clamp. For flush valve rough in, 4 1/2" on center.

REAR ANCHOR SUPPORT
provided with all MIFAB Left and Right Carrier fittings

SAVE TIME
Bolts connect legs to the faceplate from the front.

QUICK INSTALL
All bolts have a built-in washer design.

SECURE NIPPLE
Tapered thread nipple inserted into faceplate with o-ring secondary seal. No need to remove the nipple from the faceplate after the water test to cut. Other brands have a flare at the end of their nipple - requiring their nipples to be removed after the water test to cut to the finished wall.

ROD PROTECTORS
Rod protectors come preassembled to prevent mortar from affecting threads with backup nut already assembled onto rods.

EASY TO USE
Faceplate has easy to break off tabs set at common heights

TWO SLOTS IN FEET
Two slots in bottom of legs to receive lag bolt in either slot.

HARDWARE PACKS
MIFAB closet carriers are shipped with two different hardware packs - one for the rough in and one for the finish trim. Big advantage vs. others that ship all of the hardware combined in one bag - easy to lose the finish trim at the end UNIVERSAL of the job when you need it.

Note: Consult with your MIFAB service representative to order the proper "right" and "left" products.

MC-10-PFAB

Water Closet Carriers for Pre-fab Systems

REAR ANCHOR SUPPORT
Contractor can use either the slot or 1/2" hole for additional support

UNIVERSAL
Same faceplate used for both siphon jet and blow-out toilets.

COMPACT LEGS
2 3/4" legs for narrow install. Only 16 3/4" tall vs standard height of 18" to provide extra room above the carrier for piping. Three slots in top and bottom of legs provide additional mounting / bolt points.

QUICK INSTALL
Bolts connect legs to the faceplate from the front and all bolts have a built-in washer design.

SECURE NIPPLE
Tapered thread nipple inserted into faceplate with o-ring secondary seal. No need to remove the nipple from the faceplate after the water test to cut. Other brands have a flare at the end of their nipple - requiring their nipples to be removed after the water test to cut the finished wall. All MIFAB nipples are 4" in diameter for extra rigidity and ease of use.

ROD PROTECTORS
Rod protectors come preassembled to prevent mortar from affecting threads with backup nut already assembled onto rods.

EASY TO USE
Faceplate has easy break off tabs set at common heights.

VENT
is centered with nipple so that wet venting is easier from lavatory/urinal opposite water closet.

IN THE BOX

- Rough hardware and finish hardware come in individual bags.
- Legs and faceplate come assembled
- Carrier fitting in a separate box.

Horizontal, adjustable fixturecarrier. Elevates toilet off the floor for easier cleaning. MIFAB closet carriers are shipped with two different hardware packs - one for the rough in and one for the finish trim. This a big advantage vs. others that ship all of the hardware combined in one bag - easy to lose the finish trim at the end of the job when you need it

Note: Consult with your MIFAB service representative to order the proper "right" and "left" products.

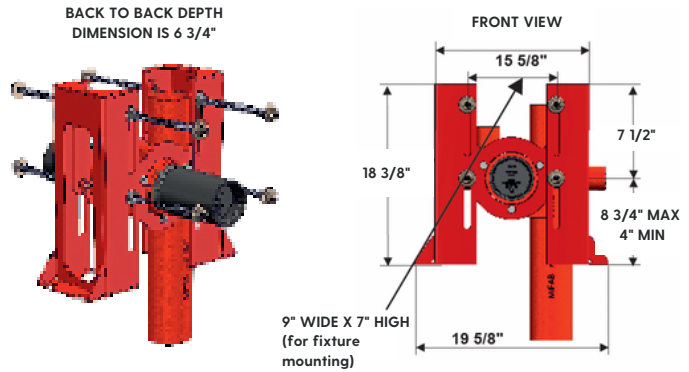
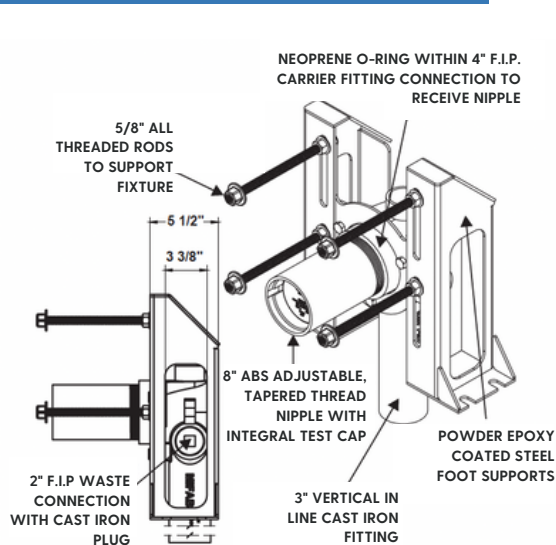
MC-23D

Compact Vertical Water Closet Carrier

MIFAB's MC-23 very narrow, compact vertical water closet carrier. Ideal for hospitals where there is one toilet only in the patient room and the chase space is very narrow. At 5 1/2" overall depth to the carrier, we are the most compact in the market. Contractors really like this carrier.



MIFAB's MC-23 is the most compact in the market, 5 1/2" overall depth to the carrier

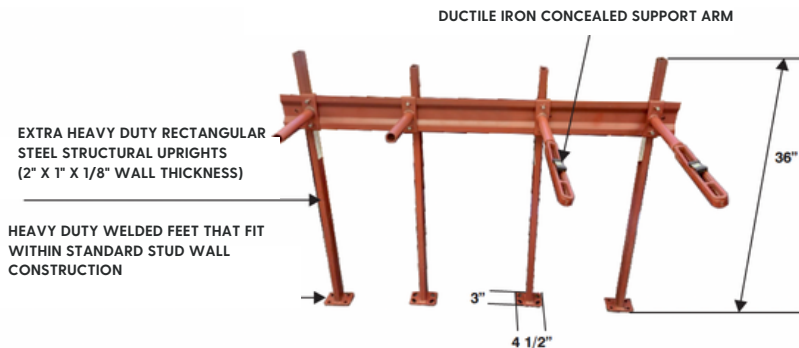


MODEL NUMBER	WT LBS.	DESCRIPTION
MC-23	40.00	Compact vertical water closet carrier
MC-23D	55.00	Compact vertical water closet carrier, back to back

MC-41-BANK

Concealed Arm Lavatory Carrier with Vertical Uprights and Track for Horizontal Arm Adjustment

MIFAB series MC-41-BANK pre-assembled concealed arm lavatory carriers with a sliding track so that the arms can be adjusted side to side to go into the lavatories. We can manufacture these to any number of prefabricated arms/legs required.



NOTE: foot supports should be securely anchored to floor with 1/2" bolts and anchors by others

MODEL NUMBER	WT LBS.	DESCRIPTION
MC-41-BANK	35 (1 set)	Concealed arm lavatory carrier with two vertical uprights, steel track and two arms

NOTE: Each set includes two uprights, two arms and horizontal steel track. Add \$700 for each additional upright and steel track with arm.

MC-41

Universal Lavatory Carrier

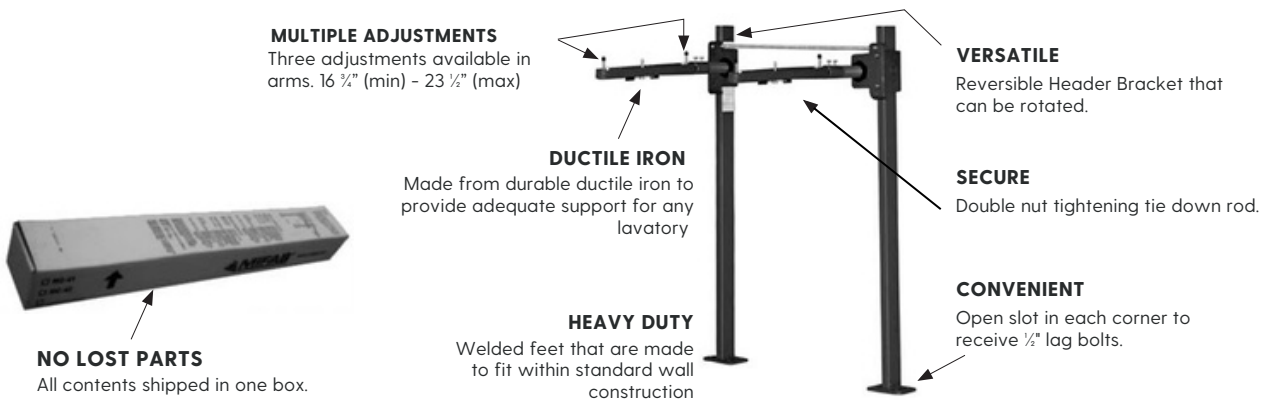
Single Carrier with Concealed Arms. Floor mounted concealed arm lavatory carrier with lacquered, adjustable, ductile iron concealed support arms.

UNIVERSAL LAV. CARRIER

- No need to ask which lavatory is being used.
- Only one set of universal arms to fit all but long ADA lavs.
- Tapping in Header bracket is offset from the upright so that the nipple can thread into the open space.
- Header bracket is reversible and can be offset for second adjustment. arm can be adjusted into the nipple.

ADDITIONAL FEATURES

- Other manufacturers require different arms for different sink sizes.
- Hardware always assembled onto arms with bag around each arm to prevent loose hardware.



MC-31-CO

Save time and money by installing the MIFAB MC-31-CO urinal carrier cleanout assembly. This eliminates the need to source and assemble several additional parts. The 2" threaded brass cleanout plug is built into the top fitting instead of having to order a separate part. The stainless steel wall plate is included with screw. **The MC-31-CO ships complete in a box with the following components:** 1) 2 pieces of the MI-QXHUB-2 Quick Hub couplings, 1 quarter bend fitting for the bottom, 1 top fitting with integral 2" brass threaded cleanout plug, 1 support bracket for assembly and one 3" round stainless steel wall plate with screw to assemble onto the finished wall.



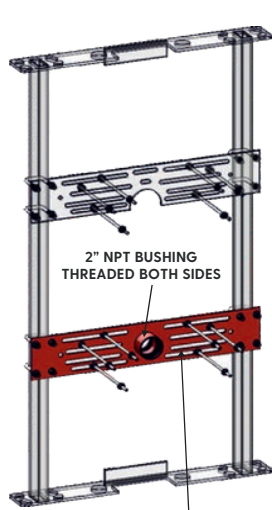
MC-41-CO

Save time and money by installing the MIFAB MC-41-CO urinal carrier cleanout assembly. This eliminates the need to source and assemble several additional parts. The 3" threaded brass cleanout plug is built into the top fitting instead of having to order a separate part. The stainless steel wall plate is included with screw. **The MC-41-CO ships complete in a box with the following components:** 1) 2 pieces of the MI-QXHUB-3 Quick Hub couplings, 1 quarter bend fitting for the bottom, 1 top fitting with integral 3" brass threaded cleanout plug, 1 support bracket for assembly and one 4" round stainless steel wall plate with screw to assemble onto the finished wall.

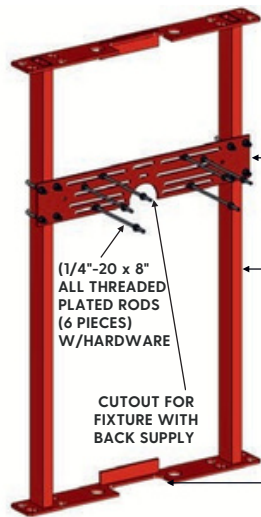


MC-31

Single Hanger Plater Carrier with One Piece Frame



MC-31-LW with optional 2" lavatory waste connection illustrated



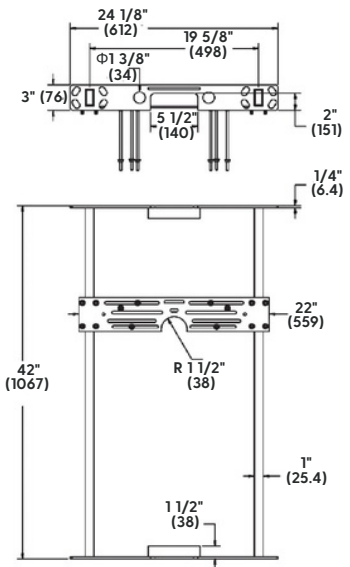
SINGLE UNIVERSAL PLATE ASSEMBLY, SECURED TO UPRIGHTS WITH "U" BOLTS TO PROVIDE EASE OF ROUGH IN HEIGHT ADJUSTMENT

EXTRA HEAVY RECTANGULAR STEEL STRUCTURAL UPRIGHTS (2" X 1" X 1/8" WALL THICKNESS)

HEAVY DUTY WELDED TOP AND BOTTOM FRAMES THAT FIT WITHIN STANDARD STUD WALL CONSTRUCTION (2 PIECES)

CUTOUT FOR FIXTURE WITH BACK SUPPLY

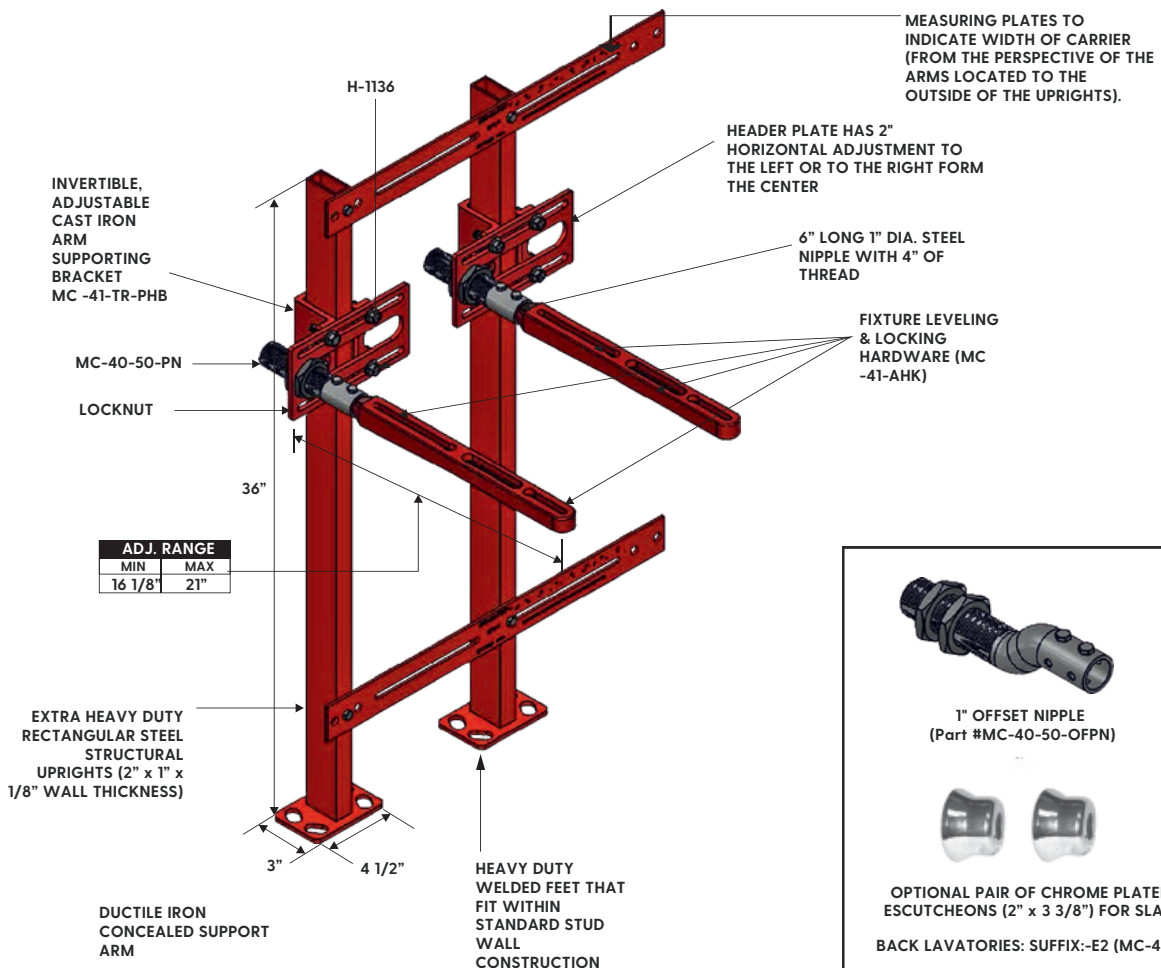
(1/4"-20 x 8" ALL THREADED PLATED RODS (6 PIECES) W/HARDWARE



NOTE: Foot supports should be securely anchored to floor with 1/2" bolts and anchors by others

MC-41-TR

Fixture Carrier with Concealed Arms and Measuring Plates



NOTE: Foot supports should be securely anchored to floor with 1/2" bolts and anchors by others

Shift and Lift

OFFSET THE FIXTURE WITHOUT TEARING OUT THE WALL AND CARRIER!

Save frustration and expense! Shift and Lift is the solution when the ADA water closet is not between 15" and 16" from the center of the finished wall.



US PATENT #8,887,319

Supports over 500 lb. with ease!

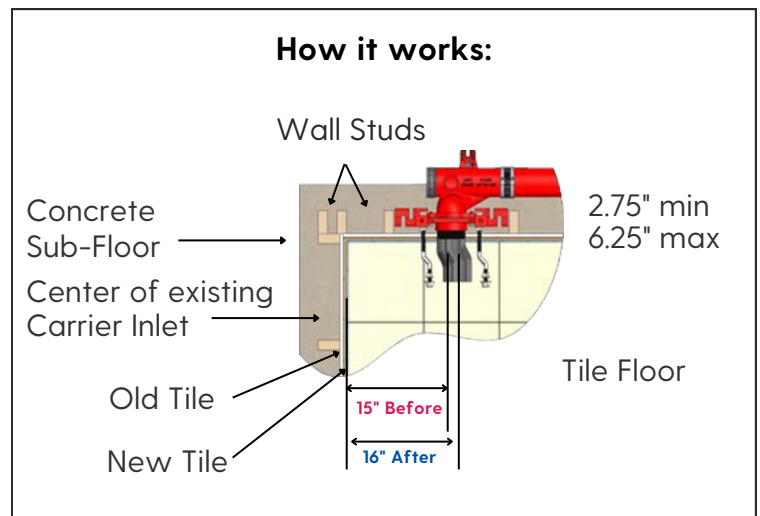


ANGLE VIEW



TOP VIEW

The MC-10 Series is tested with the Shift and Lift offset hardware package to support a 500 lb. load with the rear anchor support.



4" F.I.P. x 3" M.I.P. PVC adapter available (Part #MC-10-43-ADAPT) to thread into **3" threaded faceplates**

PARTS IN KIT



5/8" hardware rods and 4" ABS offset nipple

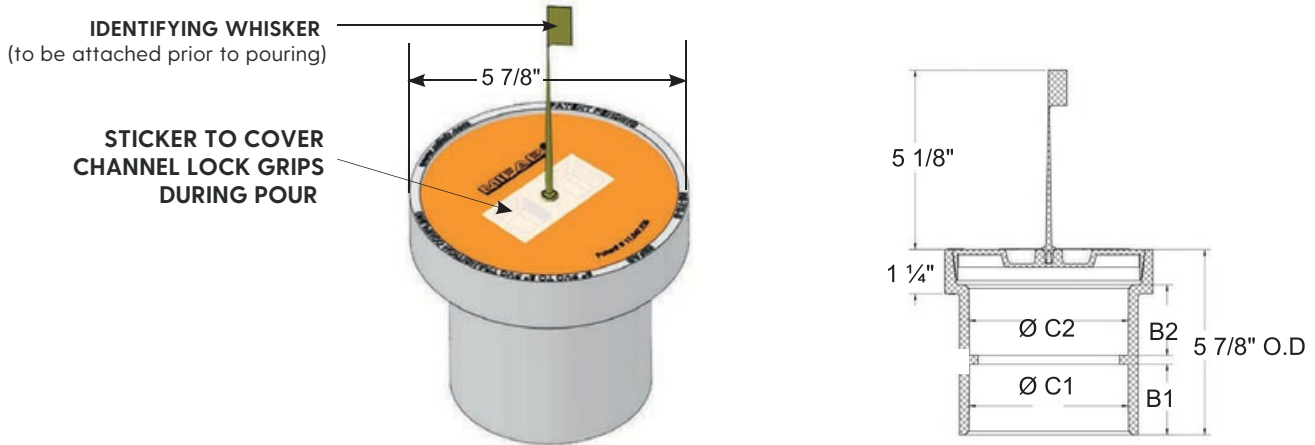
Size	Part Number
1/2" adjustment	MC-10-PN8R-31-SL-50
3/4" adjustment	MC-10-PN8R-31-SL-75
1" adjustment	MC-10-PN8R-31-SL-100

Scan the QR code to see the Shift and Lift installation Video!

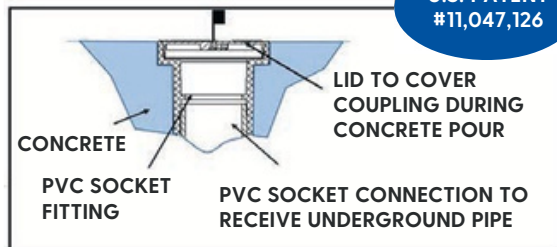


Transition Fittings for Underground to Above Ground PVC Pipe Tilt-Up Construction

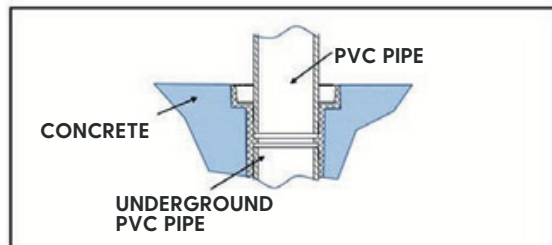
Ideal for below ground to above ground PVC pipe connections. The bottom of the MI-TR has either a 2", 3", or 4" PVC socket connection and the inside of the top of the MI-TR also has either a 2", 3", or 4" PVC socket connection. The MI-TR is placed over the PVC pipe. The included orange cover will seal the top. An identifying whisker sticking up from the top of the orange cap provides location identification after the concrete pour covers the orange cover. Channel lock grips in the top of the orange cover (protected by a sticker) provide a means for the contractor to use channel locks to remove the cover after the concrete poured over the cover is removed. Once the orange cover is removed, one can socket weld a PVC pipe through the top of the MI-TR to complete the under ground PVC pipe to above ground PVC pipe connection.



1. POUR CONCRETE



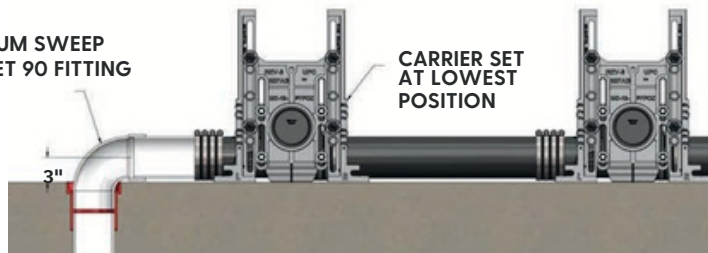
2. REMOVE AND ATTACH THE UPPER PIPE



WITHOUT MI-TR MINIMUM DIM IS...



MEDIUM SWEEP STREET 90 FITTING



The MI-TR can also be used to receive a medium sweep street 90 fitting from the horizontal waste line from one of the floor water closet carrier fittings. The MI-TR will be installed in the ground, flush to grade, over PVC drain pipe. This allows one or two more water closet carriers to be installed and still have enough vertical space to connect the horizontal carrier fitting waste line with a medium sweep street 90 fitting to the MI-TR transition coupling.

Available Models:

- MI-TR-2 2" PVC socket x 2" PVC socket
- MI-TR-3 3" PVC socket x 3" PVC socket
- MI-TR-4 4" PVC socket x 4" PVC socket

**We do not sell
directly to
contractors, period**



Best Grease Holding Capacity in the Industry!

MIFAB BIG-1150 grease holding capacity is 2,016.39 lbs.

Join our stocking program to get the **MOST** benefits!

Why BIG-MAX?

- Ductile iron, H-20 load rated lids with pickable feature are standard.
- More efficient separation of grease due to proprietary inlet design.
- Lightweight, two people can carry.
- Narrow width to fit through doorway.



BIG-MAX 50, 75 AND 100 GPM

Stocking vs Non Stocking Orders

STOCKING	NON-STOCKING
Place initial order for 6 units with FFA	Only 1 unit at a time
Each order thereafter for 1 unit with FFA (going to the same place)	Pay for freight

**Contact MIFAB
for multipliers**

WHY ARE YOU THROWING MONEY AWAY?

MIFAB is in your buying group, some of our competitors are not!



LIL-MAX
7-50 GPM



BIG-MAX
50-100 GPM



SUPER-MAX
500 - 2,000
LIQUID HOLDING
CAPACITY

Why Choose MIFAB?

- MIFAB does not sell direct to contractors.
- Units utilize 18" ADS pipe for risers so you can maximize profitability.
- Only stock what you sell.
- MIFAB does not require weekly inventory verification.
- MIFAB has the widest range of interceptors available in the market today.
- Interceptors are PDI, ASME, and CSA approved and listed with IAPMO.



ADS Corrugated Pipe Extension

Standard 18" diameter ADS corrugated pipe is used for the BIG MAX extensions and standard 24" diameter ADS corrugated pipe is used for the SUPER MAX extensions. Readily available from Waterworks wholesalers.



Note:

All **BIG MAX** and **SUPER MAX** interceptor covers are ductile iron, H-20 Load Rated and pickable

Since 1982, MIFAB® has been manufacturing grease interceptors. Forty years of experience and customer feedback has given us an advantage when it comes to designing and manufacturing the best steel and stainless steel grease interceptors in the market. We have applied this experience to our new range of large, H.D.P.E., patented grease interceptors. We invite you to experience the MIFAB® difference— best in class when it comes to H.D.P.E. grease interceptors. The SUPERMAX® Series of gravity grease interceptors are also available as oil interceptors.



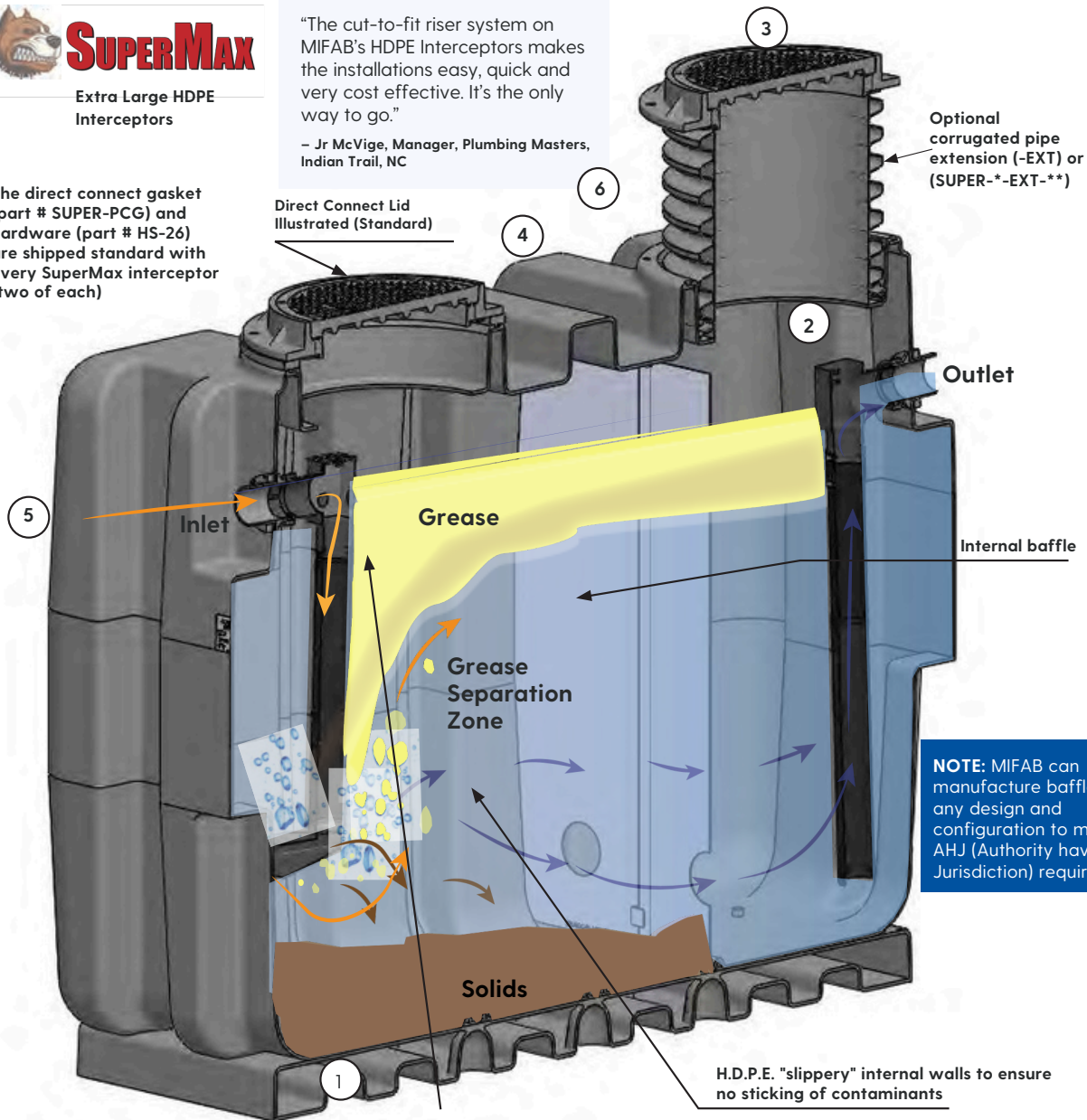
SUPERMAX

Extra Large HDPE Interceptors

“The cut-to-fit riser system on MIFAB’s HDPE Interceptors makes the installations easy, quick and very cost effective. It’s the only way to go.”

– Jr McVige, Manager, Plumbing Masters, Indian Trail, NC

The direct connect gasket (part # SUPER-PCG) and hardware (part # HS-26) are shipped standard with every SuperMax interceptor (two of each)

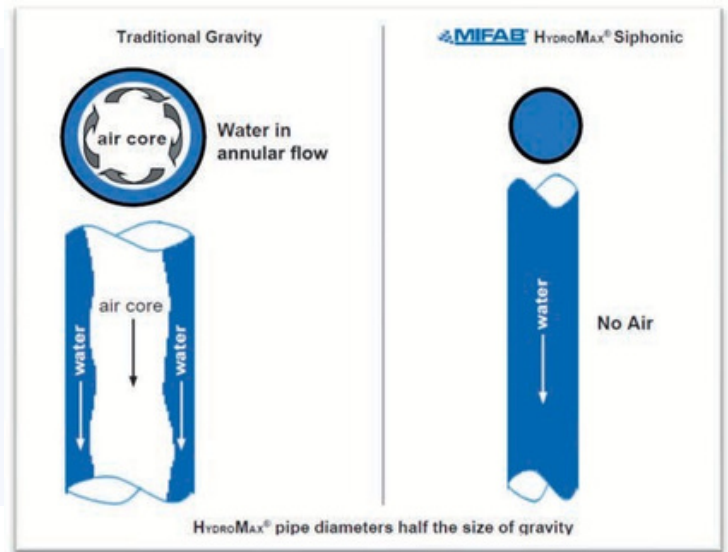
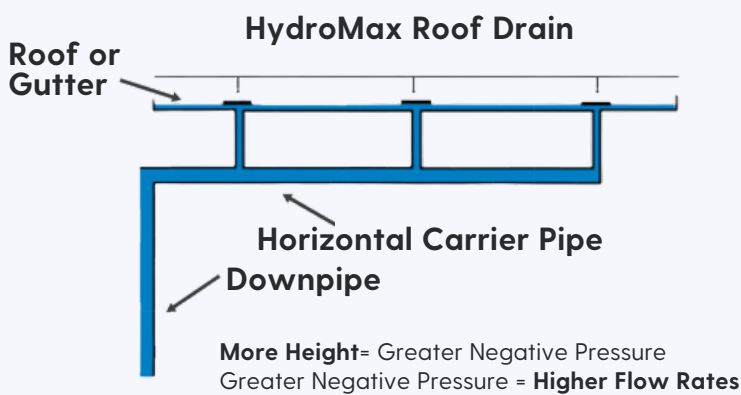


MIFAB®’s 40 years of manufacturing interceptors has provided us with a wealth of experience and knowledge on the factors that impact their performance. Our new and innovative Enviro-Flow® inlet and outlet design significantly reduces inlet velocity and creates optimal laminar flow to ensure maximum grease separation efficiency. Flow entering the MIFAB® interceptor is directed to the bottom by the inlet baffle to avoid any disturbance of the previously accumulated surface layer of grease / oil in the interceptor. The innovative design of the bottom of the inlet baffle directs the incoming wastewater sideways into the interceptor for the most efficient laminar flow. The baffle also serves to reduce the velocity and surge of inflow, providing sufficient retention time for effective separation of the grease. The grease rises to the surface for manual or pump out removal and the baffle is easy to remove for cleaning. The wastewater is now relieved of over 90% of the fats, oils, and greases and continues to flow through the interceptor.

What is Siphonic Drainage?

Siphonic storm drainage is an alternative to traditional Gravity storm drainage. Siphonic drainage offers technical benefits, design benefits, and most importantly numerous cost savings benefits.

Siphonic drainage uses the natural height of the building to generate a negative pressure which makes siphon effect on the roof having the drain act as a “shop vac.” Siphonic drainage is the same concept as taking gas out of your dad’s car. “Put the hose in and star sucking, once the fluid starts coming through it continues pulling the gas from the tank,” that is exactly what is happening on the roof.



What are the Cost Savings?

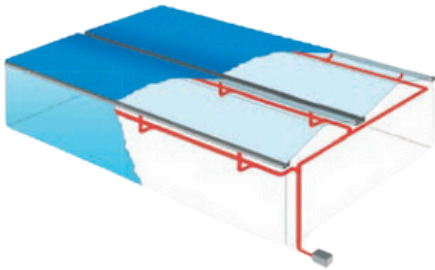
Siphonic drains utilize a baffle plate to eliminate air from entering the system; whereas gravity drains require 2/3rds air mixing with 1/3rd's water to function.

Because of this, siphonic drainage can size piping half the diameter that traditional gravity drains use because the entire pipework is full of water (not needing room for the air) - this is the first major cost savings advantage of using Siphonic drainage. In addition to using half the diameter pipes, cost savings is achieved from smaller fittings, couplings, hangers and insulation.

What are the Design Benefits?

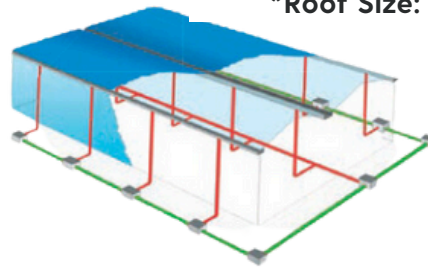
Gravity drainage requires a slope to function. The issue with slope is that the pipe can only travel so far before getting into livable space; the Gravity drainage then requires a vertical drop to ground level where the floor needs to be excavated for the piping to connect into the civils (still requiring further slope). Siphonic drainage has the pipe running completely flat - a huge difference. By eliminating the pitch, the pipe can stay up in the ceiling and run to an exterior wall before dropping in the vertical - this saves an enormous amount of cost by not having to excavate inside the building.

Equally important, gravity dictates where the discharge point must be traditional Gravity storm drainage; a design using Siphonic drainage allows the freedom to decide where that discharge point should be. This allows the elimination of numerous down pipes, collection of more drains together eliminating unneeded runs, both of which reduce material cost and labor.



Siphonic Layout

- ✓ 1,000 ft. of pipework
- ✓ 3" to 8" diameter



Gravity Layout

- ✗ 1,600 ft. of pipework
- ✗ 6" to 18" diameter

*Roof Size: 59,400 sq ft.


What are the Technical Benefits?

Siphonic drainage is overwhelmingly more efficient than Gravity drainage. At 2" of ponding a 6" gravity drain can discharge 75 GPM; given the same 2" of ponding a 6" Siphonic drain discharges 400 GPM (and up to 1820 GPM at maximum capacity). This allows the roof to discharge at a much higher rate leading to reduced ponding which creates a safer overall building. Less roof drains are needed to cover the same roof area which means less roof penetrations. A reduced number of roof drains contribute to cost savings for less material costs, less labor installing the roof drains - cutting holes in the roof/attaching the membrane, and less piping overall to connect the system.

3" Drain			4" Drain			5" Drain			6" Drain		
Depth	Gravity	HydroMax	Depth	Gravity	HydroMax	Depth	Gravity	HydroMax	Depth	Gravity	HydroMax
1"	25 GPM	75 GPM	1"	25 GPM	93 GPM	1"	27 GPM	115 GPM	1"	15 GPM	140 GPM
2"	87 GPM	310 GPM	2"	90 GPM	350 GPM	2"	100 GPM	350 GPM	2"	75 GPM	400 GPM
3"	214 GPM		3"	215 GPM	785 GPM	3"	230 GPM	890 GPM	3"	210 GPM	990 GPM
4"	225 GPM		4"	232 GPM		4"	295 GPM		4"	250 GPM	1580 GPM
5"	231 GPM		5"	240 GPM		5"	440 GPM		5"	490 GPM	
6"	247 GPM		6"	252 GPM		6"	720 GPM		6"	715 GPM	

HydroMax Drains

MH-300



Roof Drain Assembly
(3" NH, 4" NH, 5" NH, 6" NH)

MH-301




Overflow Roof Drain
(3" NH, 4" NH, 5" NH, 6" NH)

MH-301-DG



Overflow with Debris Guard
(3" NH, 4" NH, 5" NH, 6" NH)

MH-200



2" Terrace Drain

**All MIFAB®
HydroMax® drains
are tested to ASME
A112.6.9 and IAPMO
listed**

MH-505-G-OF



5" Gutter Overflow Roof Drain
(Stainless Steel Spun Body)

MH-205-G



2" Gutter Drain
(Stainless Steel Spun Body)

MH-305-G



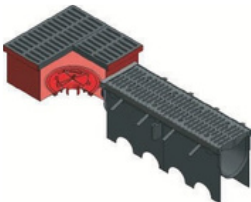
3" Gutter Drain
(Stainless Steel Spun Body)

MH-505-G



5" Gutter Overflow Drain
(Stainless Steel Spun Body)

MH-T



Siphonic Trench
Assembly

MH-PG-D



Parking Garage/Deck Drain
(3" NH, 4" NH, 5" NH)

MH-F1460, MH-F1580



Siphonic Gravity
Break Drain



2 1/2" - 8" Double Check and
Reduced Pressure Zone Available



1 1/2" - 2" Double Check and
Reduced Pressure Zone Available

BE BOLD, BE BARRACUDA

BARRACUDA BACKFLOW PREVENTERS

The BEECO Barracuda Series of Backflow preventer devices prevent non-health hazard pollutants and hazardous contaminants from entering a potable water supply system when backpressure and/or backsiphonage conditions occur. This product is designed for the waterwork, plumbing and irrigation markets.

FEATURES

- All stainless steel body and cover
- Shortest lay length on the market
- Lightest devices on the market
- Best flow curves at working pressure



PRESSURE REDUCING VALVES



Available in
3/4" and 1"

BEECO# PRV-F
Direct Replacement for 25AUB

PRESSURE REDUCING VALVES

SINGLE UNION, FEMALE THREADED INLET AND OUTLET

MODEL NO.	SIZE	QTY/CTN
PRV.50-SU-IPS-C-LL	1/2"	36
PRV.75-SU-IPS-C-LL	3/4"	36
PRV1.00-SU-IPS-C-LL	1	30



DOUBLE UNION, FEMALE THREADED INLET AND OUTLET

MODEL NO.	SIZE	QTY/CTN
PRV.50-DU-IPS-C-LL	1/2"	40
PRV.75-DU-IPS-C-LL	3/4"	40
PRV1.00-DU-IPS-C-LL	1	36

SWT, CPVC, PEX WITH POLYMER CAGES, SAME PRICE AS ABOVE



STRAINERS

WYE TYPE, THREADED CONNECTIONS

MODEL NO.	SIZE	QTY/CTN
STR.50-IPS-BRZ-LL	1/2"	12
STR.75-IPS-BRZ-LL	3/4"	8
STR1.00-IPS-BRZ-LL	1	8
STR1.25-IPS-BRZ-LL	1 1/4"	6
STR1.50-IPS-BRZ-LL	1 1/2"	2
STR2.00-IPS-BRZ-LL	2	2



Low Lead California AB 1953 Compliant

PRESSURE GAUGES

BOTTOM ENTRY PRESSURE GAUGES 2 1/2", 1/4" NPT

MODEL NO.	SIZE	QTY/CTN
PG2.50-0-30-BTM-25	0-30	100
PG2.50-0-60-BTM-25	0-60	100
PG2.50-0-100-BTM-25	0-100	100
PG2.50-0-160-BTM-25	0-160	100
PG2.50-0-200-BTM-25	0-200	100
PG2.50-0-300-BTM-25	0-300	100



MI-CONTROL

WATER HEATER SHUTOFF THERMAL EXPANSION CONTROL VALVE

MODEL NO.	SIZE	QTY/CTN
MI-CONTROL-LL	3/4"	20
MI-CONTROL-NPT-LL	3/4"	20
MI-CONTROL-PEX-LL	3/4"	20
MI-CONTROL-SWT-LL	3/4"	20
MI-CONTROL-UP-LL	3/4"	20



DIELECTRIC UNIONS

GALVANIZED, FEMALE IRON PIPE BY COPPER SOLDER JOINT

MODEL NO.	SIZE	QTY/CTN
DU.50-IPS-X-SWT-LL	1/2"	10
DU.75-IPS-X-SWT-LL	3/4"	10
DU1.00-IPS-X-SWT-LL	1"	5
DU1.25-IPS-X-SWT-LL	1 1/2"	5
DU2.00-IPS-X-SWT-LL	2"	2



ANTI-SIPHON VACUUM BREAKER

BRASS BODY DESIGN

MODEL NO.	SIZE	QTY/CTN
ASVB.25-B-LL	1/4"	24
ASVB.375-B-LL	3/8"	24
ASVB.50-B-LL	1/2"	16
ASVB.75-B-LL	3/4"	16



DUAL CHECK VALVES

DUAL CHECK VALVE WITH ATMOSPHERIC VENT

MODEL NO.	SIZE	QTY/CTN
DCAV.50-NPT	1/2"	1
DCAV.75-NPT	3/4"	1
DCAV-.50-SWT	1/2"	1
DCAV.75-SWT	3/4"	1



HOSE CONNECTION VACUUM BREAKERS

HOSE CONNECTION ATMOSPHERIC VACUUM BREAKER

MODEL NO.	SIZE	QTY/CTN
HVB.75F-X-.75M-CP-LL	3/4"	1
HVB.75F-X-.75M-RB-LL	3/4"	1



SELF DRAINING VACUUM BREAKERS

SELF DRAINING HOSE VACUUM BREAKER

MODEL NO.	SIZE	QTY/CTN
HBVBSD.75-CP-LL	3/4"	1
HBVBSD.75-RB-LL	3/4"	1



BRONZE BALL VALVES

BRONZE NO LEAD BALL VALVES - LOW LEAD CALIFORNIA AB 1953 COMPLIANT

MODEL NO.	SIZE	QTY/CTN
BV.50-IPS-BRZ-LL	1/2"	1
BV.75-IPS-BRZ-LL	3/4"	1
BV1.00-IPS-BRZ-LL	1"	1
BV1.25-IPS-BRZ-LL	1 1/4"	1
BV1.50-IPS-BRZ-LL	1 1/2"	1
BV2.00-IPS-BRZ-LL	2"	1



PRESSURE VACUUM BREAKERS

PRESSURE VACUUM BREAKERS, LOW LEAD AB 1953 COMPLIANT

MODEL NO.	SIZE	QTY/CTN
PVB.50-QT-LL	1/2"	1
PVB.75-QT-LL	3/4"	1
PVB1.00-QT-LL	1"	1
PVB1.25-QT-LL	1 1/4"	1
PVB1.50-QT-LL	1 1/2"	1
PVB2.00-QT-LL	2"	1



DUAL CHECK VALVES

IN LINE DOUBLE CHECK VALVE CONFORMS WITH AB 1953

MODEL NO.	SIZE	QTY/CTN
DC.50-SWTX-50-NPT-LL	1/2"	1
DC.75-SWTX-75-NPT-LL	3/4"	1
DC1.0-SWTX-75-NPT-LL	1" INLET BY 3/4"	1
DC1.0-SWTX-1.0-NPT-LL	3/4"	1



GATE VALVES OSY STYLE

FLANGED BY FLANGED, OSY RESILIENT WEDGE, EPOXY COATED

MODEL NO.	SIZE	QTY/CTN
GV2.50-FXF-OSY	2 1/2"	1
GV3.00-FXF-OSY	3"	1
GV4.00-FXF-OSY	4"	1
GV6.00-FXF-OSY	6"	1
GV8.00-FXF-OSY	8"	1
GV10.00-FXF-OSY	10"	1



GATE VALVES NRS STYLE

FLANGED BY FLANGED, NRS RESILIENT WEDGE, EPOXY COATED

MODEL NO.	SIZE	QTY/CTN
GV2.00-FXF-NR	2"	1
GV2.50-FXF-NR	2 1/2"	1
GV3.00-FXF-NRS	3"	1
GV4.00-FXF-NRS	4"	1
GV6.00-FXF-NRS	6"	1
GV8.00-FXF-NRS	8"	1
GV10.00-FXF-NRS	10"	1
GV12.00-FXF-NRS	12"	1



MI-CONTROL-LL

Water Heater Shut Off Thermal Expansion Control Valve

When dollars make the difference in winning a job, MI-CONTROL will give you the competitive edge!

FEATURES:

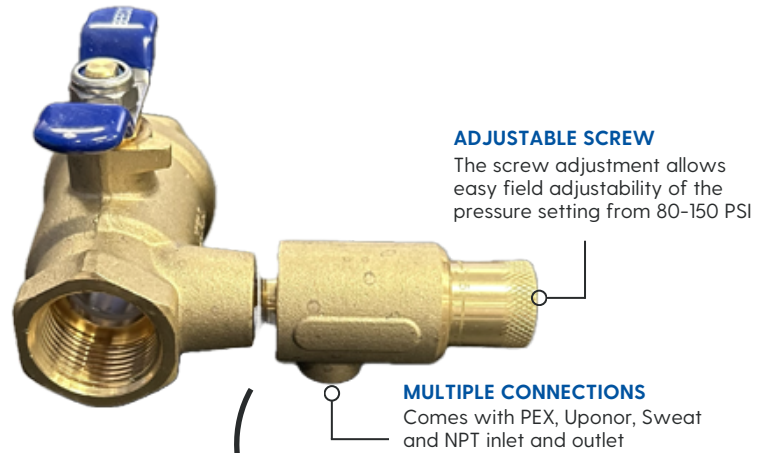
- Only field adjustable device on the market
- All possible drain options included
- Replaces both the expansion tank and shut off valve
- Takes 1/10 of the space of an expansion tank
- Made of lead free materials



MI-CONTROL-LL is used in place of:

- Expansion tank
- Tank strapping
- Tees, elbows and piping
- Cold water shut off ball valve

Approvals: Valve is tested, certified and listed to the IAPMO IGC 128-2006a



Approvals: Valve is tested, certified and listed to the I.A.P.M.O. I.G.C. 128-2006a

The **BEECO MI-CONTROL-LL** is designed to be used where a water heater shut-off and thermal expansion device are needed to provide protection for your plumbing system against thermal expansion

IPC 2018

607.3 Modifications 607.3 Thermal expansion control the code language follows: "Where a storage water heater is supplied with cold water that passes through a check valve, pressure reducing valve or backflow preventer, a thermal expansion control device shall be connected to the water heater cold water supply pipe at a point that is downstream of all check valves, pressure reducing valves and backflow preventers."

UPC 2021

"When it comes to the UPC CODE 608.3 it states the following: "Any water system provided with a check valve, backflow preventer, or any other normally closed device that prevents dissipation of building pressure back into the water main shall be provided with an approved, listed and adequately sized expansion tank or other approved device having a similar function to control thermal expansion. Such expansion tank or other approved device shall be sized and installed in accordance with the manufacturer's recommendations."

CL-NPB



Water Hammer Arrestor

M3-500-NPB



Trap Seal Primer

MI-DU



Distribution Unit

MI-100



Enclosed Trap Seal Primer

MI-THERM



Thermostatic Mixing Valve

MI-GARD



Floor Drain Trap Seal

MI-DE



Dielectric Nipples

“After 7 years and thousands of MR-500s purchased, we have never had one fail.”

Nolan Johnson, Purchasing Manager, Hubbard Supply, Inc., Fayetteville, NC

HYDRANTS

HY-9000-NPB

Rough Brass Wall Faucet with Vacuum Breaker



HY-9040-NPB

MODEL NUMBER	FINISH	OPERATING DEVICE	INLET CONNECTION	WEIGHT
HY-9040-NPB	Rough Brass	Operating loose tee key, cast iron wheel handle, brown plastic and clear plastic wheel handle all included	1/2" F.P.T.	1.25 lb.
HY-9041-NPB	Rough Brass	Operating loose tee key, cast iron wheel handle, brown plastic and clear plastic wheel handle all included	3/4" F.P.T.	1.25 lb.

MODEL NUMBER	DESCRIPTION
HY-90-RK-NPB	Repair kit for HY-9000-NPB Series Hydrants
HY-9000-VB	A.S.S.E. 1011 Approved Rough Brass Vacuum Breaker (to replace vacuum breaker on the HY-9040-NPB or HY-9041-NPB)

Note: All four of the below handles are shipped with every HY-9040-NPB, HY-9041-NPB, HY-9240-NPB, and HY-9241-NPB

 HY-9001 Brown Plastic Wheel Handle	 HY-9002 Clear Plastic Wheel Handle	 HY-9003 Cast Iron Wheel Handle	 HY-9004 Loose Tee Key
---	---	--	--

HY-9200-NPB

Polished Chrome Plated Wall Faucet with Vacuum Breaker



HY-9241-NPB

MODEL NUMBER	FINISH	OPERATING DEVICE	INLET CONNECTION	WEIGHT
HY-9240-NPB	Polished Chrome Plated	Operating loose tee key, cast iron wheel handle, brown plastic and clear plastic wheel handle all included	1/2" F.P.T.	1.25 lb.
HY-9241-NPB	Polished Chrome Plated	Operating loose tee key, cast iron wheel handle, brown plastic and clear plastic wheel handle all included	3/4" F.P.T.	1.25 lb.

MODEL NUMBER	DESCRIPTION
HY-90-RK-NPB	Repair kit for HY-9000-NPB Series Hydrants
HY-9000-VB	ASSE 1011 Approved Rough Brass Vacuum Breaker (to replace vacuum breaker on the HY-9040-NPB or HY-9041-NPB)

HY-9500

Hydrant Boxes for Wall Faucets



HY-9241-NPB with HY-9500

MODEL NUMBER	DESCRIPTION	WEIGHT
HY-9500	Rough Brass box only - hydrant extra	10 lb.
HY-9500-59	Chrome Plated Brass box only - hydrant extra	10 lb.
HY-9500-K	Rough Brass box only with cylinder key lock - hydrant extra	10.25 lb.
HY-9500-49-K	Chrome Plated Brass box only with cylinder key lock - hydrant extra	10.25 lb.

Add the List Price of the HY-9000-NPB wall faucet required to the List Price of the HY-9500 box to determine the total List Price for an encased HY-9000-NPB Series wall faucet. **To order an encased HY-9000-NPB Series wall faucet**, specify the HY-9000-NPB MODEL# followed by the HY-9500 MODEL#. (e.g. HY-9241-NPB w/HY-9500). The HY-9000-NPB Series wall faucets with cast iron wheel handles are not intended for use with the HY-9500 box.

CASE STUDY

PRODUCT INSTALLED

HY-1008-NPB, Non-Freeze
Wall Hydrant

PROJECT LOCATION

150 Charles St.
New York City, NY 10014

MIFAB SALES AGENT

DEA SALES

CONTRACTOR

Parkview Plumbing
New York, NY

TESTIMONIAL

“One of the most important feature we need is MIFAB’s unique 360 degree swivel wall hydrant design. This allows our team for the easiest installation from limited space on the building.”

Jay Lyons | Parkview Plumbing



HY-1000-NPB



HY-1000-NPBSWT



1/2" SWT. inlet

HY-1000-NPB TAIL



360° Swivel Inlet



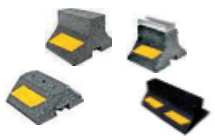
LEAD FREE



C

C-PORT PRODUCTS

CXM, CXM20, CXH & C5



Small Rubber Support Series

CXP



Rubber Support Series

C SERIES



Rubber Support Series with 13/16" Galvanized Steel Channel

C510 & C6



Rubber Support Series with 15/8" Galvanized Steel Channel

CXW



Widebody Rubber Support

CW



Widebody Series with 15/8" x 13/16" Galvanized Channel

CGW-E & CGW-T



Widebody Gasket Series

CE



Extension Series

CEW



Widebody Extension Series

CRM



Roller Series with Small Base

CR



Roller Series, Regular Base

CRE



Extended Roller Series, Regular Base

CREW



Extended Roller Series, Widebody Base

CB



Bridge Support Series with 2 CX Series Supports and 15/8" Galvanized Channel

CES



Medium Load Series

CESHW12



Widebody, Heavy Load Series

CESW



Widebody, Water & Steam Support, Medium Load

DS & DSW



Duct Support Series, Extra Heavy Duty

DSA10



Duct Support Series

DSAW12



Widebody, Duct Support Series

CS



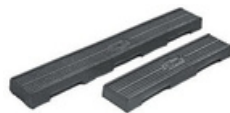
15/8" Steel Channel with 6" Adjustable 17/8" x 17/8" Square Leg

CZ



Seismic Series

AP



Airport Support System

CSE



Copper Tube & Steel Pipe Support

CP



Platform Series

"We really like C-PORT products. MIFAB overall has a great product offering with a wide selection. I have not had any issues with using MIFAB on a job. Also, the local representation is great!"

Mike Bright, Arizona Pinnacle Engineering

CMPW



Mechanical Platform Series

ROOF TOP PIPE SUPPORTS

CP

Specification:

Dimensions

Base - 2" High x 5" Wide x 36" Length
Platform: 24" Wide x 36" - 72" Length

Material

Base - 100% recycled rubber, UV resistant
Platform: Galvanized steel

Maximum Load

600 lbs.

Function: The CP Series is designed as a non-penetrating lightweight to bring to level platform surface. It is used for air conditioning, air condensing units, HVAC, and other electrical units. Free-flow leg system allows water passage. Other features include: prohibits moss and mold growth, easy to install, easy movement brackets that are suitable for all types of equipment, and adjustable. Consult roofing manufacturer or engineer for roof loading.



Environmentally Friendly: Made from 100% recycled tires



MODEL NUMBER	WIDTH (W)	LENGTH (L)	BASE LENGTH	QUANTITY	WEIGHT
CP36-2436	24" (610)	36" (914)	36" (914)	2	67.08 lbs.
CP36-2448	24" (610)	48" (1219)	36" (914)	2	70.92 lbs.
CP36-2472	24" (610)	72" (1829)	36" (914)	3	102.50 lbs.

ROOF TOP SUPPORT SOLUTION



POINT OF PURCHASE FLOOR DISPLAY - HOLDS 62 C10'S

At your local wholesaler or distributor!

"Our C-PORT display has been a huge success for our branch, our customers are happy to know we stock this product and that it is in stock for immediate use."

Jim Watson, Operations Manager at Spec Sales



COUNTERTOP DISPLAY WITH REMOVABLE C10

Part No. CPORT-POP DISPLAY

Part No. CPORT-DISPLAY

MI-GLV

Synthetic Diamond Grip Nitril Disposable Gloves

Specification: MIFAB® synthetic, nitrile, exam grade, disposable gloves with diamond grip for durability and dexterity.

Function: Ideal for plumbing, janitorial, painting and / or automotive. Powder free and chemical resistant. Non latex.



DIAMOND GRIP ENHANCES GRIPPING POWER

Meets ASTM D6978 to handle Fentanyl substances



POWDER FREE



LATEX FREE



TEXTURED GRIP



SINGLE USE ONLY

MODEL #	SIZE	QTY (by weight)
MI-GLV-M	Medium	100 (1 box)
MI-GLV-L	Large	100 (1 box)
MI-GLV-XL	Extra Large	100 (1 box)
CASE QUANTITY		
MI-GLV-M-C	Medium	1,000 (1 case, 10 boxes)
MI-GLV-L-C	Large	1,000 (1 case, 10 boxes)
MI-GLV-XL-C	Extra Large	1,000 (1 case, 10 boxes)

POWDER FREE	
FACTS & FEATURES	Diamond texture design
	Strong toughness
	Fits hand curve
	Provides good identification

GLOVE ATTRIBUTES	
DESIGN	Ambidextrous, Non sterile, Beaded cuff
COLOR	Black
SIZE	M, L, XL

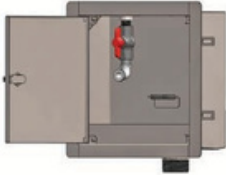
DIAMOND GRIP NITRILE GLOVES		
LENGTH (mm)		Minimum 230 mm
	THICKNESS (mm)	
	Cuff (mm)	Minimum 0.06mm
	Palm (mm)	Minimum 0.16 mm
	Finger (mm)	Minimum 0.16 mm
TENSILE STRENGTH (MPA)	Before aging	Minimum 15MPa
	After aging	Minimum 14MPa
ELONGATION(%)	Before aging	Minimum 500%
	After aging	Minimum 400%
WIDTH (+/- 10 mm)	M	95 mm
	L	110 mm
	XL	120 mm
WEIGHT (+/- 0.3 g)	Medium	6.5 g
	Large	7.0 g
	X-Large	7.5 g

STORAGE
Keep out of direct sunlight; store in a cool & dry place.

<p>UA SERIES</p>  <p>Universal Access Door</p>	<p>MDW SERIES</p>  <p>Drywall Bead Access Door</p>	<p>CAD SERIES</p>  <p>Ceiling or Wall Access Door</p>	<p>CAD-DW SERIES</p>  <p>Ceiling or Wall Access Door with Drywall Bead</p>
<p>CAD-PL</p>  <p>Ceiling or Wall Access Door with Plaster Finish</p>	<p>CAD-FL</p>  <p>Ceiling or Wall Access Door, Flush with Frame</p>	<p>CAD-FL-PL</p>  <p>Universal Access Door with Plaster Lathe</p>	<p>CAD-FR</p>  <p>Fire Resistant Ceiling or Wall Access Door</p>
<p>MPFR</p>  <p>Insulated Fire Rated Access Door</p>	<p>MFRU</p>  <p>Uninsulated Fire Rated Access Door</p>	<p>MPFR-DW</p>  <p>Insulated Fire Rated Access Door</p>	<p>MI-SAD</p>  <p>Medium Security Access Door</p>
<p>MI-SADH</p>  <p>High Security Access Door</p>	<p>MI-FVP</p>  <p>Flush Valve Panel</p>	<p>MI-SF</p>  <p>Surface Access Door</p>	<p>MI-VB/MI-VB-SM</p>  <p>Valve Box</p>
<p>MI-VB/MI-VB-SM-CO</p>  <p>Insulated Fire Rated Access Door</p>	<p>PA</p>  <p>Plastic Access Door</p>	<p>FHA/ FHG</p>  <p>Floor Access Door</p>	<p>RHA/RHG</p>  <p>Roof Hatch</p>
<p>LOCKS AND LATCHES</p> 	<p>WID</p>  <p>Exterior Access Door/Walk-In Door</p>	<p>“MIFAB access doors are always readily available and easy to install. That’s why I only use MIFAB access doors. I use hundreds of MIFAB doors each year.”</p> <p>Laine West, Owner, WWF Contractors, Rancho Cordova, CA</p>	

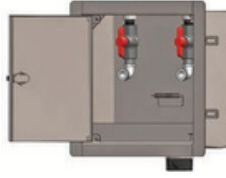
DIALYSIS BOXES

MI-DIAL



Dialysis Box with One Valve Door

MI-DIAL-2



Dialysis Box with Two Valves

MI-DIAL-LD



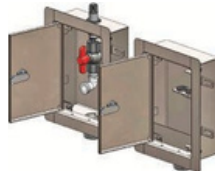
Dialysis Box with One Valve (No Door)

MI-DIAL-2-LD



Dialysis Box with Two Valves (No Door)

MI-DIAL-DB



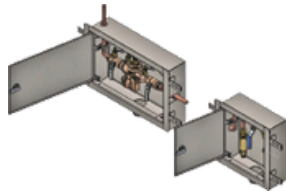
Stainless Steel Dialysis Supply and Separate Waste Box

MI-DIAL-CB



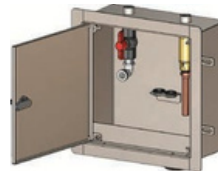
Compartmentalized Dialysis Supply & Waste Box

MI-DIAL-BPS



Stainless Steel Dialysis Supply and Separate Waste Box with Backflow Preventer and Trap Seal Primer

MI-DIAL-MR



Stainless Steel Dialysis Box with Trap Seal Primer

WELDING • LASER CUTTING • EPOXY COATING • ENGINEERING TEAM

CUSTOM FABRICATION

WELDING

MIFAB is equipped with welding stations that process both MIG and TIG welding for clean and sharp welds. We can manufacture custom interceptors, access doors, trench drains, dialysis boxes, drainage products and more.

LASER CUTTING

For maximum efficiency our laser machine has 60" x 120" dual tables that are auto switching to allow one sheet to be cut while the other is unloaded. To save production time our press brakes have both auto tooling clamping and seating.

EPOXY COATING

We use an acid resistant powder epoxy coating to protect the steel and increase the life of your custom product. A powder spray booth with electrostatic spraying is used so products have a consistent thickness and ensure all components are fully covered.

ENGINEERING TEAM

MIFAB's engineers are trained to provide custom fabrication designs and our Technical Support Engineering Team is available to assist with any custom fabrication inquiries. We are here to offer assistance, regardless of the project's simplicity or complexity.



ADDITIONAL RESOURCES

BlueVolt

go.bluevolt.com/mifab

Earn "BlueBucks" for completing the below courses and exchange for cash prizes.

- Area Drains
- Lil-Max Extensions
- MI-GARD
- MR-500
- Quick Hub Couplings
- ROOFGUARD Roof Dome
- Shift + Lift: Universal Water Closet Carrier Kit

ASPE/CEU

aspe.org

Earn ASPE accredited engineer hours for completing one of the below courses.

- Automatic Control Valves
- The Importance of Backflow
- Guide to Interceptors
- Guide to Siphonic Drainage
- Trap Seal Primers Overview

Specification Websites

Find MIFAB specification listings and files on the following websites:

- 4Specs: 4specs.com
- AD eCommerce: adhq.com
- ARCAT: arcat.com
- BSD: bsdspeclink.com
- BIMObject: bimobject.com
- MasterSpec: productmasterspec.com
- Trimble Services: mep.trimble.com

Other Associations

- American Institute of Architects (**AIA**)
- American Supply Association (**ASA**)
- Association of Independent Manufacturers and Representatives (**AIM-R**)
- American Society of Plumbing Engineers (**ASPE**)
- Design-Build Institute of America (**DBIA**)
- Mechanical Contractors Association of America (**MCAA**)
- Plumbing-Heating-Cooling Contractors (**PHCC**)
- Southern Wholesalers Association (**SWA**)

OUR REPUTATION IS STAINLESS

KEY FEATURES AND BENEFITS:

- Modular system with fewer parts, reduce confusion on job site, and fewer returns.
- Standard A1 body serves as a floor drain cleanout and roof drain. This reduces inventory.
- Cast 304 stainless steel grates as cleanout covers for same price as nickel bronze. Prevents dishing, corrosion and discoloration.
- 4" NPSM threads at top of A1 body allows drain to be installed without membrane clamp for non waterproof slab on grade floors.
- A1 body with no hub connection is only 3 deep for compact rough-in.
- A1 body always shipped tapped an plugged for trap seal primer connection.
- All area drain grates are adjustable an made of ductile iron with a load rating of over 10,000 lbs. for maximum on site adjustment and load bearing.
- Closet and lavatory carriers designed and packaged with features to save installation time and handling cost.

NOW YOU CAN SPECIFY STAINLESS STEEL AT THE SAME PRICE AS NICKEL BRONZE. SPECIFY MIFAB STAINLESS FOR A LASTING IMPRESSION



AREA DRAIN FEATURES



KEY FEATURES AND BENEFITS:

- Ductile iron grate offers greater than 10,000 lb. load rating
- Non-tilt grate is safer in all traffic area
- 3/8" slots prevent large debris from entering the drainage system
- 4 Fully adjustable top assemblies for ease of installation
- Stainless Steel tops at the same price as Nickel Bronze

MPB-2025-USA



Specification Drainage
LIT-067



CLPB-2025



Light Commercial Products
LIT-067



AD-2025-USA



Access Doors
LIT-043



BEECO-2025



Backflow Preventers and Accessories
LIT-071



NH-2022-06



No Hub Couplings
LIT-044



TDPC-2025



Polymer Concrete Trench Drains
LIT-076



TD-2025



GRP & Steel Trench Drains
LIT-046



TDSD-2025



Shower Drains
LIT-077



TDSS-2025



Stainless Steel Trench Drains
LIT-072



ROOFGUARD-2020



Roofguard Roof Domes
LIT-058



C-PORT-2023



Rooftop Rubber Pipe Supports
LIT-047



DB-2025



Dialysis Boxes
LIT-070



HYDROMAX-2020



Siphonic Drainage
LIT-082



INT-2025



Interceptors & Acid Neutralization Tanks
LIT-095



TSP-2024



Trap Seal Primers
LIT-062



THE VISION BOOK

