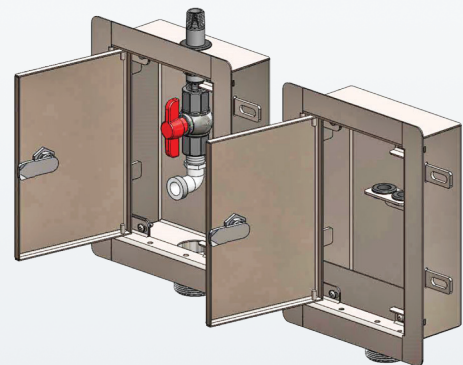


2021

DIALYSIS BOXES CATALOG

DIALYSIS BOXES



TERMS AND WARRANTIES

WHOLESALE DISCOUNT:

Contact MIFAB® or your local representative for your applicable discount structure.

FREIGHT ALLOWANCE: Ex Works, MIFAB's Chicago, Illinois Factory or Manufacturer Representative's warehouse with full motor freight allowed on shipments of \$5,000.00 Net or more, within the continental U.S.A. and Canada, except Alaska, Hawaii and Puerto Rico. MIFAB reserves the right to choose the carrier and route of shipment. Alaska: Ex Works, Seattle, WA. Hawaii: Freight allowed on shipments of \$5,000.00 or more only when shipped from West Coast, U.S. Puerto Rico: Ex Works, Miami, Florida. There is no allowance for United Parcel Service, Federal Express or Shipment by air service. Shipping dates are estimates and time of delivery is not the essence of the sale of the contract. Therefore, under no circumstances will MIFAB® have any responsibility on account of any delays in manufacture, transportation, or otherwise. Additional freight services such as construction site delivery, lift gate delivery service, re-consigned freight or notification charges, are not included in full freight allowance terms, and will result in additional freight charges.

QUOTATION TERMS: List Price and discount protected for 30 days from date issued by MIFAB®. Orders received within this period must be released for shipment within 30 days from date of purchase order, otherwise, prices will be those that are in effect at the time of shipment.

PAYMENT TERMS: Terms of payment are Net 30 days from the date of the invoice. All pricing in United States currency except for sales to Canadian customers which are priced in Canadian dollars. The Buyer shall pay all sales, consumers, and / or any other applicable taxes. Past due accounts will be subject to a 2% per month service charge from the date of the invoice. If any proceedings be instructed by or against Buyer under any bankruptcy or insolvency law, or if Buyer shall fail to make timely payment on this or any other order, or if, in MIFAB's judgment, Buyer's financial situation justifies such action, MIFAB® may, at its election, require payment in advance or cancel the order as to any unshipped item and require payment of its reasonable cancellation charges. If Buyer delays completion of manufacture, MIFAB® may elect to require payment according to percentage of completion. Equipment held for Buyer shall be at Buyer's risk and expense. In all cases, regardless of partial payment, title to the Products shall remain with MIFAB® until payment for the Products (including any notes given therefore) has been made in full. Should legal action be necessary to enforce payment of an unpaid invoice, the Buyer will assume full responsibility for any court costs and reasonable attorney fees. All orders subject to credit check and approval prior to shipment. Confirmed irrevocable letter of credit or cash in advance of shipment is required for accounts without an established line of credit. Minimum invoice amount is \$100.00. MIFAB® reserves the right to apply a minimum order charge to equal \$100.00. MIFAB's Accounting Department must be notified of potential pricing errors within 30 days of the invoice date. Any terms and conditions stated on Buyer's orders which are inconsistent with MIFAB's quotation and Terms and Warranties shall be of no effect.

RETURNED GOODS RESTOCKING CHARGE: Standard product may be returned within a one year period only with written permission from MIFAB®. All products in catalog are not considered Standard. Standard product to be determined by MIFAB®. Returned goods are subject to a 25% restocking charge, plus cost of reconditioning, if necessary, to make material saleable. Material must be returned to MIFAB® freight prepaid only after written permission from MIFAB® to accept the returned material. Buyer must provide copy of the original invoice on which the material was charged. The original outgoing freight cost to ship the order will be deducted from the credit. Credit allowance will be in the form of merchandise credit only-not cash credit which must be used within 12 months of the date of issue. The value of a return must total \$100.00 to qualify for credit allowance. Galvanized and acid resistant epoxy coated material will be credited to value of cast iron, and chrome plated at value of nickel bronze. No credit will be allowed for auxiliary tappings, discontinued, or made to order items. Products designated non stock and / or that have been specially made are not subject to return or cancellation.

LIMITED WARRANTY: MIFAB® warrants each product against defects in material and workmanship for a period of one year from the date of original shipment. In the event of such defects within the warranty period, MIFAB® will, at its option, replace or recondition the product without charge. This shall constitute the exclusive remedy for breach of warranty, and MIFAB® shall not be responsible for any incidental or consequential damages, including, without limitation, damages or other costs resulting from labor charges, delays, vandalism, negligence, fouling caused by foreign material, damage from adverse water conditions, chemicals, or any other circumstances over which MIFAB® has no control. This warranty shall be invalidated by any abuse, misuse, misapplication or improper installation of the product.

MIFAB® MAKES NO OTHER WARRANTIES EXPRESSED OR IMPLIED AS PROVIDED IN THIS LIMITED WARRANTY.

ILLUSTRATIONS OR TYPICAL INSTALLATIONS: The typical installations for various products in each product section are intended to illustrate the products and their options. Under no circumstances are they to be construed as recommended installation procedures. Consult local codes and project specifications for proper installation instructions.

ALL SALES SUBJECT TO MIFAB's TERMS AND WARRANTIES.

NOTE: Prices and terms are subject to change without notice and supersede all previous quotations. The right is reserved to change or modify product design or construction without prior notice and without incurring any obligation to make similar changes and modifications to product previously or subsequently sold. Contact MIFAB® for any clarification.

CONTENTS © MIFAB® INC. Copyright 2021

CALIFORNIA PROPOSITION 65 WARNING. This product contains chemicals known to the State of California to cause cancer and birth defects or other reproductive harm.

Design and dimensions are subject to modification. Prices do not include applicable taxes. Visit www.mifab.com for the most recent product information.

MIFAB®, Inc., 1321 West 119th Street, Chicago, Illinois 60643-5109, USA

All sales subject to MIFAB's® Terms and Warranties. Please refer to inside front cover.

USA Toll Free: 1-800-465-2736 • Fax: 1-773-341-3049

Canada Toll Free: 1-800-387-3880 • sales@mifab.com

TABLE OF CONTENTS

PAGE NO.

MI-DIAL 4
 STAINLESS STEEL SUPPLY & WASTE DIALYSIS BOX WITH ONE VALVE & DOOR

MI-DIAL-2 5
 STAINLESS STEEL SUPPLY & WASTE DIALYSIS BOX WITH TWO VALVES & DOOR

MI-DIAL-LD 6
 STAINLESS STEEL SUPPLY & WASTE DIALYSIS BOX WITH ONE VALVE (NO DOOR)

MI-DIAL-2-LD 7
 STAINLESS STEEL SUPPLY & WASTE DIALYSIS BOX WITH TWO VALVES (NO DOOR)

MI-DIAL-DB 8
 STAINLESS STEEL DIALYSIS SUPPLY & SEPARATE WASTE BOX

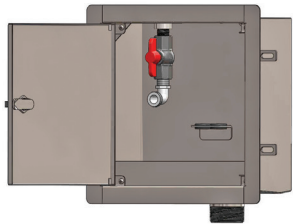
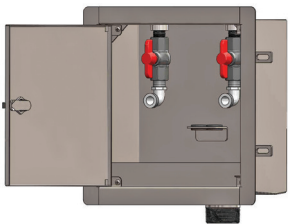
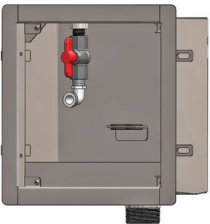
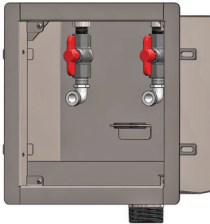
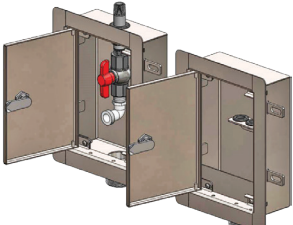

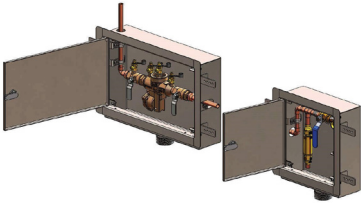
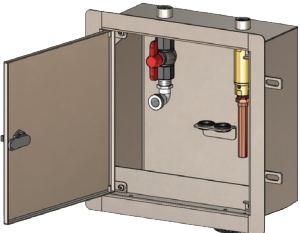
MI-DIAL-CB 9
 STAINLESS STEEL COMPARTMENTALIZED DIALYSIS SUPPLY & WASTE BOX

MI-DIAL-BPS 10
 STAINLESS STEEL DIALYSIS SUPPLY & SEPARATE WASTE BOX W/ BACKFLOW PREVENTER & TRAP SEAL PRIMER

MI-DIAL-MR 11
 STAINLESS STEEL DIALYSIS BOX WITH TRAP SEAL PRIMER

LIST PRICES 12

PICTORIAL INDEX

 <p>MI-DIAL (pg. 4)</p>	 <p>MI-DIAL-2 (pg.5)</p>
 <p>MI-DIAL-LD (pg. 6)</p>	 <p>MI-DIAL-2-LD (pg.7)</p>
 <p>MI-DIAL-DB (pg. 8)</p>	 <p>MI-DIAL-CB (pg.9)</p>
 <p>MI-DIAL-BPS (pg. 10)</p>	 <p>MI-DIAL-MR (pg. 11)</p>

CALIFORNIA PROPOSITION 65 WARNING. This product contains chemicals known to the State of California to cause cancer and birth defects or other reproductive harm.

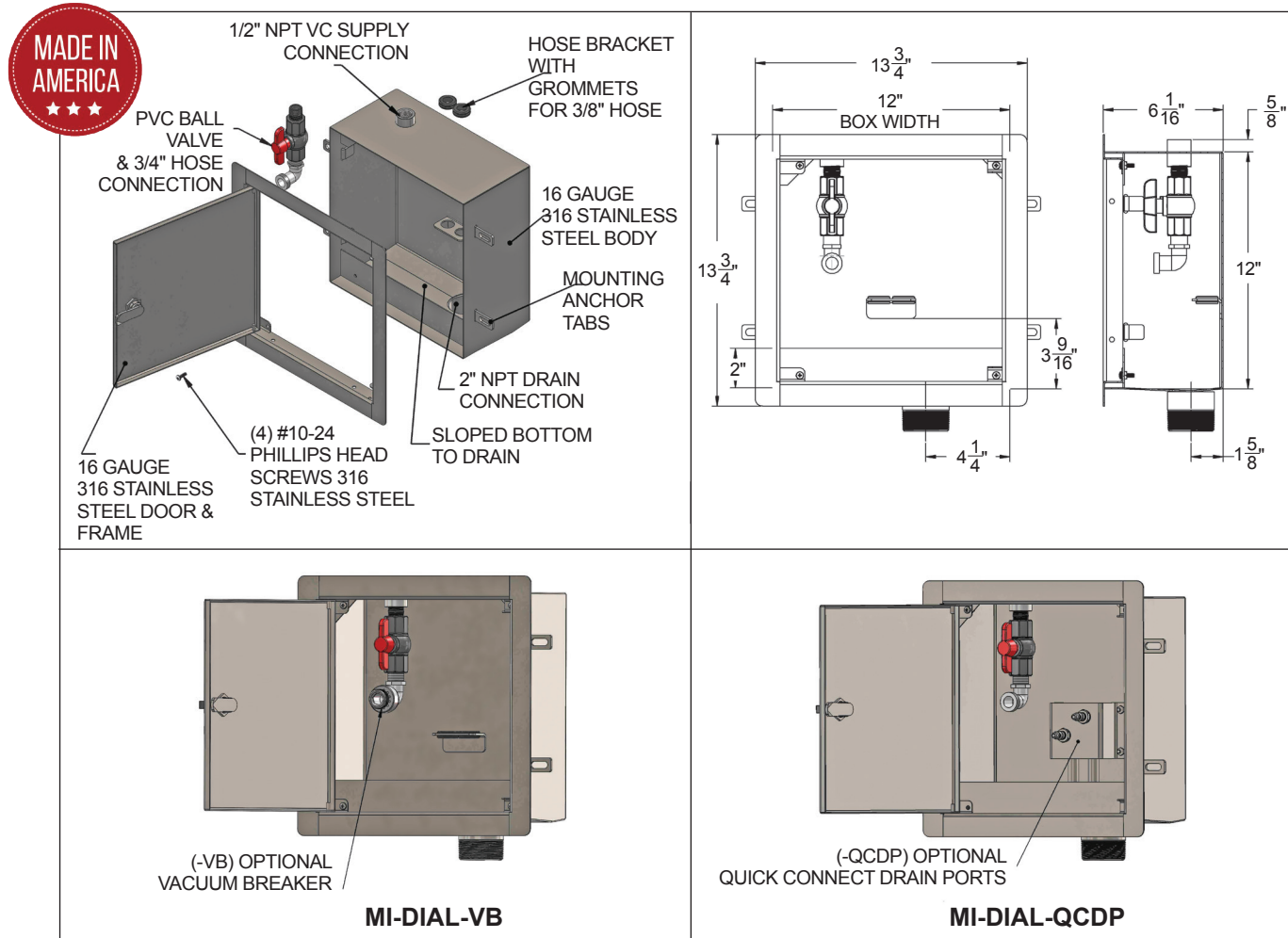
Design and dimensions are subject to modification. Prices do not include applicable taxes. Visit www.mifab.com for the most recent product information.

MIFAB®, Inc., 1321 West 119th Street, Chicago, Illinois 60643-5109, USA
 All sales subject to MIFAB's® Terms and Warranties. Please refer to inside front cover.

USA Toll Free: 1-800-465-2736 • Fax: 1-773-341-3049
 Canada Toll Free: 1-800-387-3880 • sales@mifab.com

SPECIFICATION: MIFAB® MI-DIAL supply and waste dialysis box is constructed of 16 gauge, Type 316 stainless steel (satin finish) continuous welded corners, four mounting anchor tabs, and removable finishing frame and door, one 1/2" NPT. PVC supply connection with PVC ball valve and 3/4" hose connection. Bracket with grommets for two 3/8" diameter hose, and 2" NPT. stainless steel drain connection with sloped bottom.

FUNCTION: MIFAB's Stainless Steel supply and waste dialysis boxes are designed for use with dialysis machines that use RO (reverse osmosis) and DI (deionized) water, mixed with dialysate saline concentrate. This water corrodes steel, some stainless steels, cast iron, copper and brass metals regularly used in supply and waste systems. There are two types of dialysis machines. One type mixes dialysate into the RO-DI water inside the machine and the other requires pre-mixed water. When the first type is used, MIFAB's single valve models (MI-DIAL) are satisfactory. When the second type is used, MIFAB's two valve models (MI-DIAL-2) are required. Stainless steel door and frame assembly is provided to cover the internal valves and connections within the box.



OPTIONAL VARIATIONS:

- 304PB Type 304 stainless steel box (instead of Type 316)
- 304PF Type 304 stainless steel supply fittings with bronze ball valve
- VB Bronze vacuum breaker with 3/4" hose connection on supply line
- QCDP 1/4" quick connect drain port connections (Type 304 stainless steel)
- CS Custom box size (specify dimensions required. MIFAB can manufacture MI-DIAL dialysis boxes to any dimensions required).

CALIFORNIA PROPOSITION 65 WARNING. This product contains chemicals known to the State of California to cause cancer and birth defects or other reproductive harm.

Design and dimensions are subject to modification. Prices do not include applicable taxes. Visit www.mifab.com for the most recent product information.

SPECIFICATION: MIFAB® MI-DIAL-2 supply and waste dialysis box is constructed of 16 gauge, Type 316 stainless steel (satin finish), continuous welded corners, four mounting anchor tabs, and removable finishing frame and door, two 1/2" NPT. PVC supply connections with PVC ball valves and 3/4" hose connections. Bracket with grommets for two 3/8" diameter hose and 2" NPT. stainless steel drain connection with sloped bottom.

FUNCTION: MIFAB's Stainless Steel supply and waste dialysis boxes are designed for use with dialysis machines that use RO (reverse osmosis) and DI (deionized) water, mixed with dialysate saline concentrate. This water corrodes steel, some stainless steels, cast iron, copper and brass metals regularly used in supply and waste systems. There are two types of dialysis machines. One type mixes dialysate into the RO-DI water inside the machine and the other requires pre-mixed water. When the first type is used, MIFAB's single valve models (MI-DIAL) are satisfactory. When the second type is used, MIFAB's two valve models (MI-DIAL-2) are required. Stainless steel door and frame assembly is provided to cover the internal valves and connections within the box.

OPTIONAL VARIATIONS:

- 304PB Type 304 stainless steel box (instead of Type 316)
- 304PF Type 304 stainless steel supply fittings with bronze ball valve
- VB Bronze vacuum breaker with 3/4" hose connection on supply line
- QCDP 1/4" quick connect drain port connections (Type 304 stainless steel)
- CS Custom box size (specify dimensions required. MIFAB can manufacture MI-DIAL dialysis boxes to any dimensions required).

CALIFORNIA PROPOSITION 65 WARNING. This product contains chemicals known to the State of California to cause cancer and birth defects or other reproductive harm.

Design and dimensions are subject to modification. Prices do not include applicable taxes. Visit www.mifab.com for the most recent product information.



MI-DIAL-LD

STAINLESS STEEL SUPPLY & WASTE DIALYSIS BOX WITH ONE VALVE (NO DOOR)



SPECIFICATION: MIFAB® MI-DIAL-LD supply and waste dialysis box is constructed of 16 gauge, Type 316 stainless steel (satin finish), continuous welded corners, four mounting anchor tabs, one 1/2" NPT PVC supply connection with PVC ball valve and 3/4" hose connection. Bracket with grommets for two 3/8" diameter hose and 2" NPT. stainless steel drain connection with sloped bottom.

FUNCTION: MIFAB's Stainless Steel supply and waste dialysis boxes are designed for use with dialysis machines that use RO (reverse osmosis) and DI (deionized) water, mixed with dialysate saline concentrate. This water corrodes steel, some stainless steels, cast iron, copper and brass metals regularly used in supply and waste systems. There are two types of dialysis machines. One type mixes dialysate into the RO-DI water inside the machine and the other requires pre-mixed water. When the first type is used, MIFAB's single valve models (MI-DIAL) are satisfactory. When the second type is used, MIFAB's two valve models (MI-DIAL-2) are required.

MADE IN AMERICA ★★ ★

Labels: 1/2" NPT SUPPLY CONNECTION, HOSE BRACKET WITH GROMMETS FOR 3/8" HOSE, PVC BALL VALVE & 3/4" HOSE CONNECTION, 16 GAUGE 316 STAINLESS STEEL BODY, MOUNTING ANCHOR TABS, (4) #10-24 PHILLIPS HEAD SCREWS 316 STAINLESS STEEL, 16 GAUGE 316 STAINLESS STEEL FRAME, 2" NPT DRAIN CONNECTION, SLOPED BOTTOM TO DRAIN.

Dimensions: 13 3/4" (height), 12" (BOX WIDTH), 6 1/16" (width), 5 8" (height), 12" (height), 4 1/4" (width), 1 5/8" (width), 3 9/16" (height), 2" (height).

(-VB) OPTIONAL VACUUM BREAKER

MI-DIAL-LD-VB

(-QCDP) OPTIONAL QUICK CONNECT DRAIN PORTS

MI-DIAL-LD-QCDP

OPTIONAL VARIATIONS:

- 304PB Type 304 stainless steel box (instead of Type 316)
- 304PF Type 304 stainless steel supply fittings with bronze ball valve
- VB Bronze vacuum breaker with 3/4" hose connection on supply line
- QCDP 1/4" quick connect drain port connections (Type 304 stainless steel)
- CS Custom box size (specify dimensions required. MIFAB can manufacture MI-DIAL dialysis boxes to any dimensions required).

CALIFORNIA PROPOSITION 65 WARNING. This product contains chemicals known to the State of California to cause cancer and birth defects or other reproductive harm.

Design and dimensions are subject to modification. Prices do not include applicable taxes. Visit www.mifab.com for the most recent product information.


MI-DIAL-2-LD
STAINLESS STEEL SUPPLY & WASTE DIALYSIS BOX WITH TWO VALVES (NO DOOR)


SPECIFICATION: MIFAB® MI-DIAL-2-LD supply and waste dialysis box is constructed of 16 gauge, Type 316 stainless steel (satin finish), continuous welded corners, four mounting anchor tabs, two 1/2" NPT. PVC supply connections with PVC ball valves and 3/4" hose connections. Bracket with grommets for two 3/8" diameter hose and 2" NPT. stainless steel drain connection with sloped bottom.

FUNCTION: MIFAB's Stainless Steel supply and waste dialysis boxes are designed for use with dialysis machines that use RO (reverse osmosis) and DI (deionized) water, mixed with dialysate saline concentrate. This water corrodes steel, some stainless steels, cast iron, copper and brass metals regularly used in supply and waste systems. There are two types of dialysis machines. One type mixes dialysate into the RO-DI water inside the machine and the other requires pre-mixed water. When the first type is used, MIFAB's single valve models (MI-DIAL) are satisfactory. When the second type is used, MIFAB's two valve models (MI-DIAL-2) are required.

<p>Dimensions: Overall width: 13 3/4" Box width: 12" Overall height: 13 3/4" Mounting height: 2" Drain connection offset: 3 9/16" Bottom width: 4 1/4" Side view height: 12" Side view width: 6 1/16" Side view bottom offset: 1 5/8"</p>	<p>1/2" NPT SUPPLY CONNECTION HOSE BRACKET WITH GROMMETS FOR 3/8" HOSE (2) PVC BALL VALVE & 3/4" HOSE CONNECTION 16 GAUGE 316 STAINLESS STEEL BODY MOUNTING ANCHOR TABS (4) #10-24 PHILLIPS HEAD SCREWS 316 STAINLESS STEEL 16 GAUGE 316 STAINLESS STEEL DOOR & FRAME 2" NPT DRAIN CONNECTION SLOPED BOTTOM TO DRAIN</p>
<p>(-VB) OPTIONAL VACUUM BREAKER</p> <p>MI-DIAL-2-LD-QCDP</p>	<p>(-QCDP) OPTIONAL QUICK CONNECT DRAIN PORTS</p> <p>MI-DIAL-2-LD-VB-QCDP</p>


OPTIONAL VARIATIONS:

- 304PB Type 304 stainless steel box (instead of Type 316)
- 304PF Type 304 stainless steel supply fittings with bronze ball valve
- VB Bronze vacuum breaker with 3/4" hose connection on supply line
- QCDP 1/4" quick connect drain port connections (Type 304 stainless steel)
- CS Custom box size (specify dimensions required. MIFAB can manufacture MI-DIAL dialysis boxes to any dimensions required).

CALIFORNIA PROPOSITION 65 WARNING. This product contains chemicals known to the State of California to cause cancer and birth defects or other reproductive harm.

Design and dimensions are subject to modification. Prices do not include applicable taxes. Visit www.mifab.com for the most recent product information.

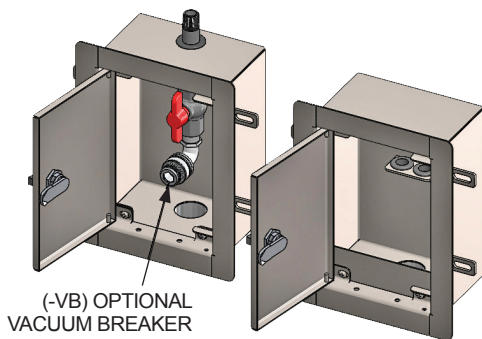
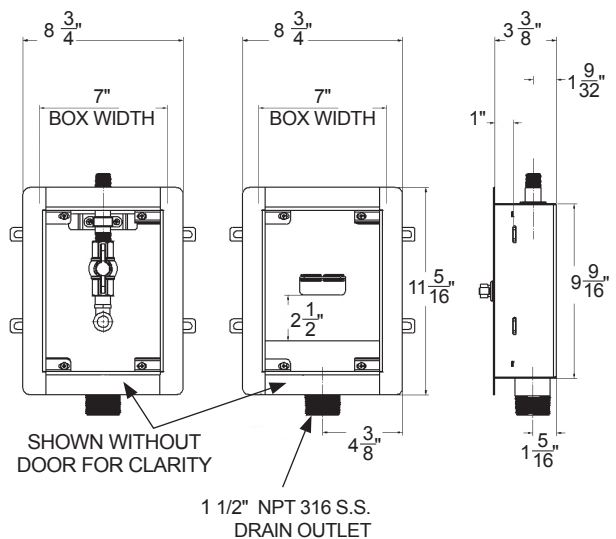
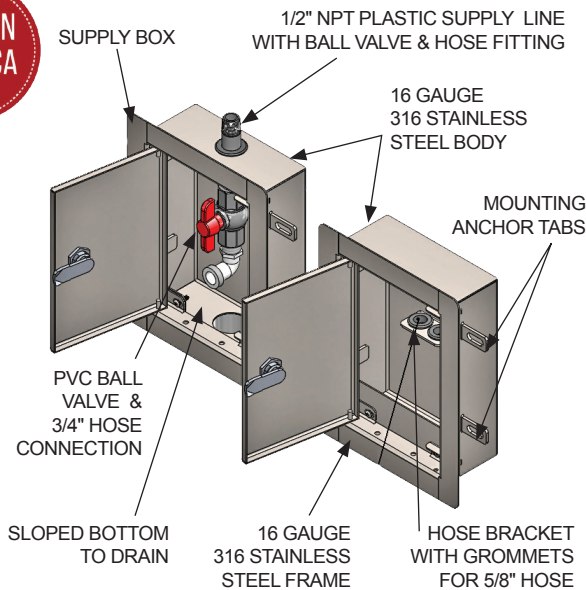
MIFAB® MI-DIAL-DB

STAINLESS STEEL DIALYSIS SUPPLY & SEPARATE WASTE BOX

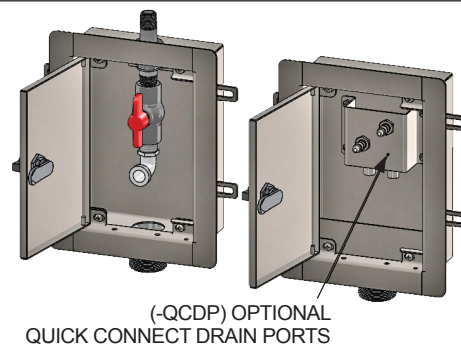


SPECIFICATION: MIFAB® Series MI-DIAL-DB supply and separate waste dialysis box is constructed of 16 gauge, Type 316 stainless steel, continuous welded corners, four mounting anchor tabs, and removable finishing frame and cover, 1/2" NPT. supply connection, 3/4" hose connection, shut off valve, and 1 1/2" NPT. stainless steel drain connection.

FUNCTION: MIFAB's Stainless Steel supply and waste dialysis boxes are designed for use with dialysis machines that use RO (reverse osmosis) and DI (deionized) water, mixed with dialysate saline concentrate. This water corrodes steel, some stainless steels, cast iron, copper and brass metals regularly used in supply and waste systems. There are two types of dialysis machines. One type mixes dialysate into the RO-DI water inside the machine and the other requires pre-mixed water. When the first type is used, MIFAB's single valve models (MI-DIAL) are satisfactory. When the second type is used, MIFAB's two valve models (MI-DIAL-2) are required. Stainless steel door and frame assembly is provided to cover the internal valves and connections within the box. The secondary box provides a means to separate the supply line from the waste line.



MI-DIAL-DB-VB



MI-DIAL-DB-QCDP

OPTIONAL VARIATIONS:

- 304PB Type 304 stainless steel box (instead of Type 316)
- 304PF Type 304 stainless steel supply fittings with bronze ball valve (6 1/16" box depth required)
- VB Bronze vacuum breaker with 3/4" hose connection on supply line (6 1/16" box depth required)
- QCDP 1/4" quick connect drain port connections (Type 304 stainless steel)
- CS Custom box size (specify dimensions required. MIFAB can manufacture MI-DIAL dialysis boxes to any dimensions required).

CALIFORNIA PROPOSITION 65 WARNING. This product contains chemicals known to the State of California to cause cancer and birth defects or other reproductive harm.

Design and dimensions are subject to modification. Prices do not include applicable taxes. Visit www.mifab.com for the most recent product information.

SPECIFICATION: MIFAB® Series MI-DIAL-CB, compartmentalized dialysis supply and waste box constructed of 16 gauge, Type 316 stainless steel, continuous welded corners, four mounting anchor tabs, and removable finishing frame and cover, 1/2" NPT. supply connection, 3/4" hose connection, shut off valve and 1 1/2" NPT. stainless steel drain connection.

FUNCTION: MIFAB's Stainless Steel supply and waste dialysis boxes are designed for use with dialysis machines that use RO (reverse osmosis) and DI (deionized) water, mixed with dialysate saline concentrate. This water corrodes steel, some stainless steels, cast iron, copper and brass metals regularly used in supply and waste systems. There are two types of dialysis machines. One type mixes dialysate into the RO-DI water inside the machine and the other requires pre-mixed water. When the first type is used, MIFAB's single valve models (MI-DIAL) are satisfactory. When the second type is used, MIFAB's two valve models (MI-DIAL-2) are required. Stainless steel door and frame assembly is provided to cover the internal valves and connections within the box. The compartmentalized box separates the supply line from the waste line within one contiguous box.

OPTIONAL VARIATIONS:

- 304PB Type 304 stainless steel box (instead of Type 316)
- 304PF Type 304 stainless steel supply fittings with bronze ball valve (6 1/16" box depth required)
- VB Bronze vacuum breaker with 3/4" hose connection on supply line (6 1/16" box depth required)
- QCDP 1/4" quick connect drain port connections (Type 304 stainless steel)
- CS Custom box size (specify dimensions required. MIFAB can manufacture MI-DIAL dialysis boxes to any dimensions required).

CALIFORNIA PROPOSITION 65 WARNING. This product contains chemicals known to the State of California to cause cancer and birth defects or other reproductive harm.

Design and dimensions are subject to modification. Prices do not include applicable taxes. Visit www.mifab.com for the most recent product information.



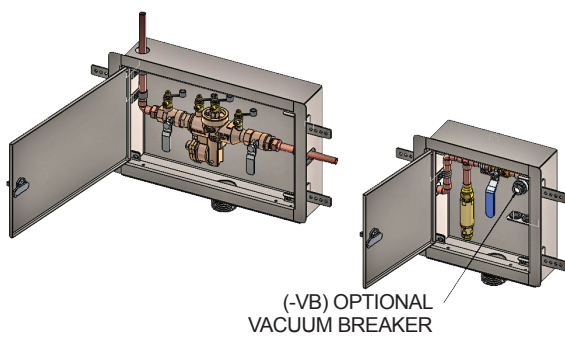
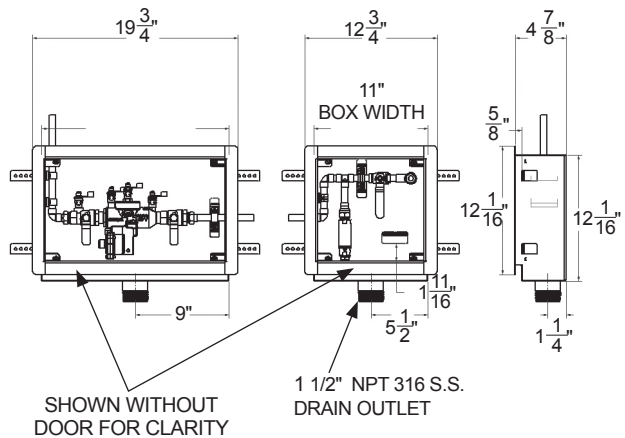
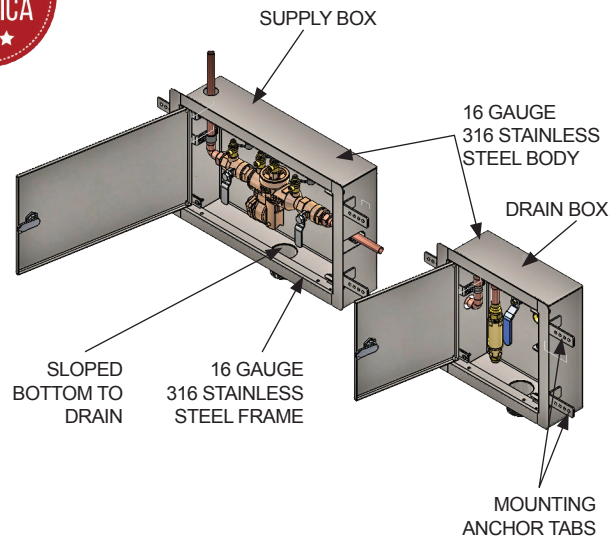
MI-DIAL-BPS

STAINLESS STEEL DIALYSIS SUPPLY & SEPARATE WASTE BOX W/ BACKFLOW PREVENTER AND TRAP SEAL PRIMER

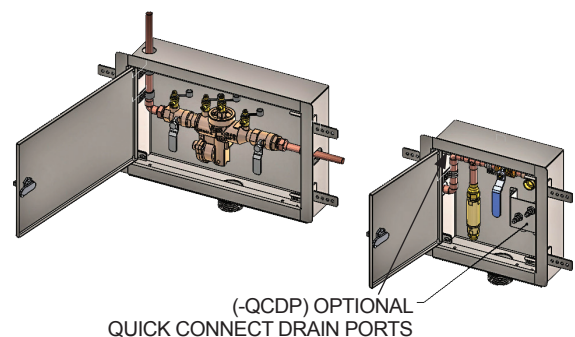


SPECIFICATION: MIFAB® Series MI-DIAL-BPS, dialysis supply and waste box constructed of 16 gauge, Type 316 stainless steel, continuous welded corners, four mounting anchor tabs, removable finishing frame and cover and 1/2" reduced pressure zone backflow preventer. Separate box provided with 1/2" SWT. supply connection, 3/4" hose connection, shut off valve and 2" NPT. stainless steel drain connection.

FUNCTION: MIFAB's Stainless Steel supply and waste dialysis boxes are designed for use with dialysis machines that use RO (reverse osmosis) and DI (deionized) water, mixed with dialysate saline concentrate. This water corrodes steel, some stainless steels, cast iron, copper and brass metals regularly used in supply and waste systems. There are two types of dialysis machines. One type mixes dialysate into the RO-DI water inside the machine and the other requires pre-mixed water. When the first type is used, MIFAB's single valve models (MI-DIAL) are satisfactory. When the second type is used, MIFAB's two valve models (MI-DIAL-2) are required. Stainless steel door and frame assembly is provided to cover the internal valves and connections within the box. The backflow preventer in the first box protects the water supply from cross contamination. The separate box has a pressure drop activated trap seal primer to connect to the drain line to maintain a water seal within the p-trap underneath the floor drain.



MI-DIAL-BPS-VB



MI-DIAL-BPS-QCDP

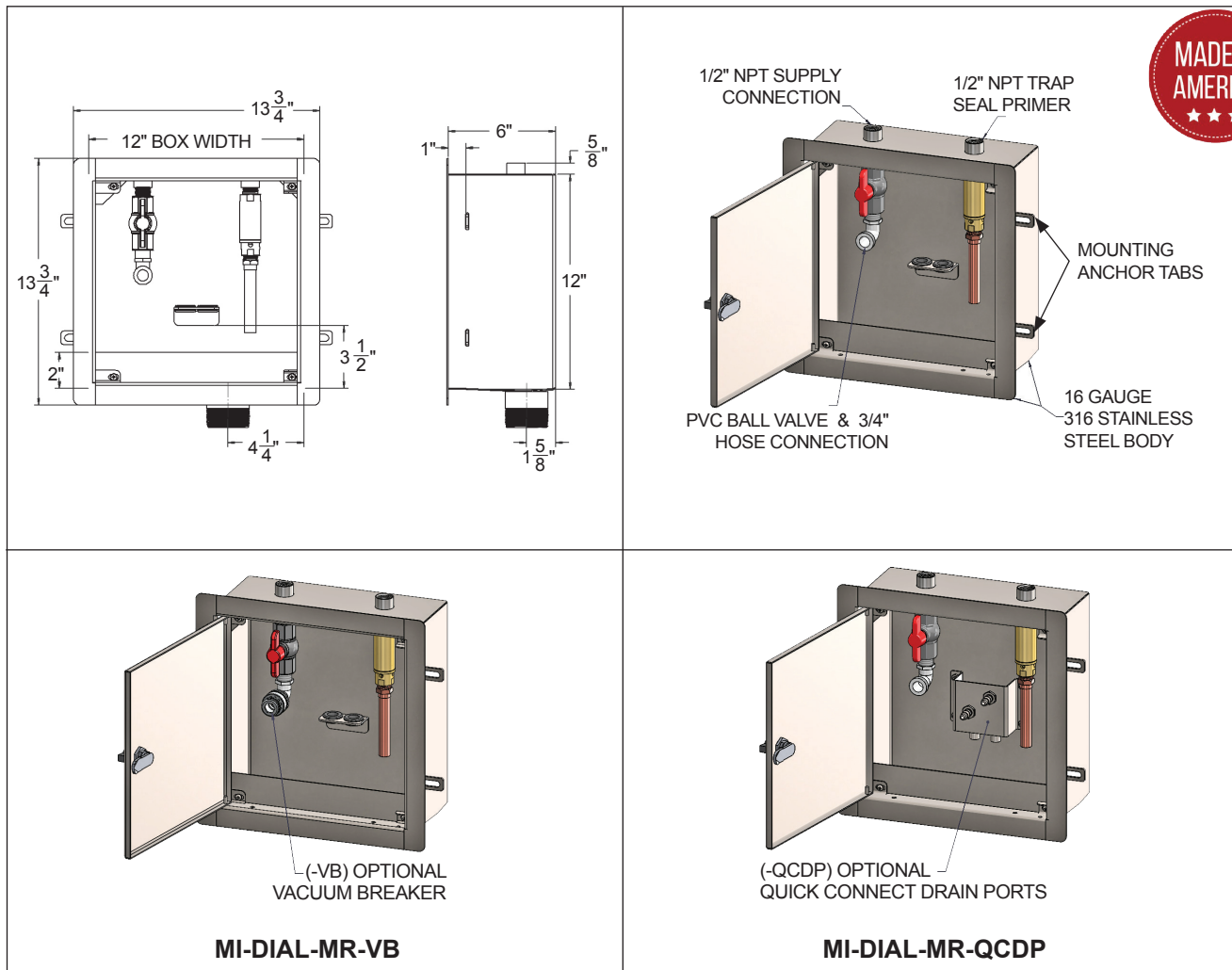
OPTIONAL VARIATIONS:

- 304PB Type 304 stainless steel box (instead of Type 316)
- VB Bronze vacuum breaker with 3/4" hose connection on supply line
- QCDP 1/4" quick connect drain port connections (Type 304 stainless steel)
- CS Custom box size (specify dimensions required. MIFAB can manufacture MI-DIAL dialysis boxes to any dimensions required).

CALIFORNIA PROPOSITION 65 WARNING. This product contains chemicals known to the State of California to cause cancer and birth defects or other reproductive harm.

SPECIFICATION: MIFAB® Series MI-DIAL-MR supply and waste dialysis box is constructed of 16 gauge, Type 316 stainless steel (satin finish), continuous welded corners, four mounting anchor tabs, and removable finishing frame and door, two 1/2" NPT. PVC supply connections with PVC ball valves, 3/4" hose connections and pressure drop activated trap seal primer. Bracket with grommets for two 3/8" diameter hose and 2" NPT. stainless steel drain connection with sloped bottom.

FUNCTION: MIFAB's Stainless Steel supply and waste dialysis boxes are designed for use with dialysis machines that use RO (reverse osmosis) and DI (deionized) water, mixed with dialysate saline concentrate. This water corrodes steel, some stainless steels, cast iron, copper and brass metals regularly used in supply and waste systems. There are two types of dialysis machines. One type mixes dialysate into the RO-DI water inside the machine and the other requires pre-mixed water. When the first type is used, MIFAB's single valve models (MI-DIAL) are satisfactory. When the second type is used, MIFAB's two valve models (MI-DIAL-2) are required. Stainless steel door and frame assembly is provided to cover the internal valves and connections within the box. The pressure drop activated trap seal primer connects to the drain line to maintain a water seal within the p-trap underneath the floor drain.


OPTIONAL VARIATIONS:

- 304PB Type 304 stainless steel box (instead of Type 316)
- 304PF Type 304 stainless steel supply fittings with bronze ball valve
- VB Bronze vacuum breaker with 3/4" hose connection on supply line
- QCDP 1/4" quick connect drain port connections (Type 304 stainless steel)
- CS Custom box size (specify dimensions required. MIFAB can manufacture MI-DIAL dialysis boxes to any dimensions required).

CALIFORNIA PROPOSITION 65 WARNING. This product contains chemicals known to the State of California to cause cancer and birth defects or other reproductive harm.

Design and dimensions are subject to modification. Prices do not include applicable taxes. Visit www.mifab.com for the most recent product information.

LIST PRICES

MI-DIAL OPTIONAL VARIATIONS		MI-DIAL - \$1,594.00 LIST PRICE	
<input type="checkbox"/>	-304PB	Type 304 stainless steel box (instead of Type 316)	deduct \$492.00
<input type="checkbox"/>	-304PF	Type 304 stainless steel supply fittings with bronze ball valve	add \$290.00
<input type="checkbox"/>	-VB	Bronze vacuum breaker with 3/4" hose connection on supply line	add \$29.00
<input type="checkbox"/>	-QCDP	1/4" quick connect drain port connections (Type 304 stainless steel)	add \$290.00
<input type="checkbox"/>	-CS	Custom box size (specify dimensions required. MIFAB can manufacture MI-DIAL dialysis boxes to any dimensions required).	contact MIFAB for quote

MI-DIAL-2 OPTIONAL VARIATIONS		MI-DIAL-2 - \$1,739.00 LIST PRICE	
<input type="checkbox"/>	-304PB	Type 304 stainless steel box (instead of Type 316)	deduct \$492.00
<input type="checkbox"/>	-304PF	Type 304 stainless steel supply fittings with bronze ball valve	add \$580.00
<input type="checkbox"/>	-VB	Bronze vacuum breaker with 3/4" hose connection on supply line	add \$58.00
<input type="checkbox"/>	-QCDP	1/4" quick connect drain port connections (Type 304 stainless steel)	add \$290.00
<input type="checkbox"/>	-CS	Custom box size (specify dimensions required. MIFAB can manufacture MI-DIAL dialysis boxes to any dimensions required).	contact MIFAB for quote

MI-DIAL-LD OPTIONAL VARIATIONS		MI-DIAL-LD - \$1,449.00 LIST PRICE	
<input type="checkbox"/>	-304PB	Type 304 stainless steel box (instead of Type 316)	deduct \$377.00
<input type="checkbox"/>	-304PF	Type 304 stainless steel supply fittings with bronze ball valve	add \$290.00
<input type="checkbox"/>	-VB	Bronze vacuum breaker with 3/4" hose connection on supply line	add \$29.00
<input type="checkbox"/>	-QCDP	1/4" quick connect drain port connections (Type 304 stainless steel)	add \$290.00
<input type="checkbox"/>	-CS	Custom box size (specify dimensions required. MIFAB can manufacture MI-DIAL dialysis boxes to any dimensions required).	contact MIFAB for quote

MI-DIAL-2-LD OPTIONAL VARIATIONS		MI-DIAL-2-LD - \$1,594.00 List Price	
<input type="checkbox"/>	-304PB	Type 304 stainless steel box (instead of Type 316)	deduct \$377.00
<input type="checkbox"/>	-304PF	Type 304 stainless steel supply fittings with bronze ball valve	add \$580.00
<input type="checkbox"/>	-VB	Bronze vacuum breaker with 3/4" hose connection on supply line	add \$58.00
<input type="checkbox"/>	-QCDP	1/4" quick connect drain port connections (Type 304 stainless steel)	add \$290.00
<input type="checkbox"/>	-CS	Custom box size (specify dimensions required. MIFAB can manufacture MI-DIAL dialysis boxes to any dimensions required).	contact MIFAB for quote

MI-DIAL-DB OPTIONAL VARIATIONS		MI-DIAL-DB - \$3,750.00 LIST PRICE	
<input type="checkbox"/>	-316PB	Type 316 stainless steel boxes (instead of Type 304)	deduct \$700.00
<input type="checkbox"/>	-316PF	Type 316 stainless steel supply fittings with bronze ball valve (instead of Type 304)	add \$580.00
<input type="checkbox"/>	-VB	Bronze vacuum breaker with 3/4" hose connection on supply line	add \$58.00
<input type="checkbox"/>	-QCDP	1/4" quick connect drain port connections (Type 304 stainless steel)	add \$290.00
<input type="checkbox"/>	-CS	Custom box size (specify dimensions required. MIFAB can manufacture MI-DIAL boxes to any dimensions required).	contact MIFAB for quote

CALIFORNIA PROPOSITION 65 WARNING. This product contains chemicals known to the State of California to cause cancer and birth defects or other reproductive harm.

Design and dimensions are subject to modification. Prices do not include applicable taxes. Visit www.mifab.com for the most recent product information.

MIFAB®, Inc., 1321 West 119th Street, Chicago, Illinois 60643-5109, USA

USA Toll Free: 1-800-465-2736 • Fax: 1-773-341-3049

All sales subject to MIFAB's® Terms and Warranties. Please refer to inside front cover.

Canada Toll Free: 1-800-387-3880 • sales@mifab.com

LIST PRICES

MI-DIAL-CB OPTIONAL VARIATIONS		MI-DIAL-CB - \$3,200.00 LIST PRICE	
<input type="checkbox"/>	-316PB	Type 316 stainless steel box (instead of Type 304)	deduct \$700.00
<input type="checkbox"/>	-316PF	Type 316 stainless steel supply fittings with bronze ball valve (instead of Type 304)	add \$580.00
<input type="checkbox"/>	-VB	Bronze vacuum breaker with 3/4" hose connection on supply line	add \$58.00
<input type="checkbox"/>	-QCDP	1/4" quick connect drain port connections (Type 304 stainless steel)	add \$290.00
<input type="checkbox"/>	-CS	Custom box size (specify dimensions required. MIFAB can manufacture MI-DIAL boxes to any dimensions required).	contact MIFAB for quote

MI-DIAL-BPS OPTIONAL VARIATIONS		MI-DIAL-BPS - \$3,850.00 LIST PRICE	
<input type="checkbox"/>	-316PB	Type 316 stainless steel boxes (instead of Type 304)	deduct \$700.00
<input type="checkbox"/>	-316PF	Type 316 stainless steel supply fittings with bronze ball valve (instead of Type 304)	add \$580.00
<input type="checkbox"/>	-VB	Bronze vacuum breaker with 3/4" hose connection on supply line	add \$58.00
<input type="checkbox"/>	-QCDP	1/4" quick connect drain port connections (Type 304 stainless steel)	add \$290.00
<input type="checkbox"/>	-CS	Custom box size (specify dimensions required. MIFAB can manufacture MI-DIAL boxes to any dimensions required).	contact MIFAB for quote

MI-DIAL-MR OPTIONAL VARIATIONS		MI-DIAL-MR - \$1,700.00 LIST PRICE	
<input type="checkbox"/>	-316PB	Type 316 stainless steel box (instead of Type 304)	deduct \$700.00
<input type="checkbox"/>	-316PF	Type 316 stainless steel supply fittings with bronze ball valve (instead of Type 304)	add \$580.00
<input type="checkbox"/>	-VB	Bronze vacuum breaker with 3/4" hose connection on supply line	add \$58.00
<input type="checkbox"/>	-QCDP	1/4" quick connect drain port connections (Type 304 stainless steel)	add \$290.00
<input type="checkbox"/>	-CS	Custom box size (specify dimensions required. MIFAB can manufacture MI-DIAL boxes to any dimensions required).	contact MIFAB for quote

CROSS REFERENCE

CROSS REFERENCE			
MIFAB	ACORN	WILLOUGHBY	BRADLEY
MI-DIAL	8196	DB-8196	7920 (S86-183)
MI-DIAL-2	8195	DB-8195	7919 (S86-182)
MI-DIAL-LD	8191	DB-8191	7908 (S86-177)
MI-DIAL-2-LD	8190	DB-8190	7907 (S86-176)

CALIFORNIA PROPOSITION 65 WARNING. This product contains chemicals known to the State of California to cause cancer and birth defects or other reproductive harm.

Design and dimensions are subject to modification. Prices do not include applicable taxes. Visit www.mifab.com for the most recent product information.

MIFAB®, Inc., 1321 West 119th Street, Chicago, Illinois 60643-5109, USA
All sales subject to MIFAB's® Terms and Warranties. Please refer to inside front cover.

USA Toll Free: 1-800-465-2736 • Fax: 1-773-341-3049
Canada Toll Free: 1-800-387-3880 • sales@mifab.com

MIFAB® OFFERS . . .



COMPLETE MIFAB® BINDER
(with all product booklets inside)
Lit # 001B



MPB-2021-05-USA
Lit # 067



NH-2021
Lit # 044



CLPB-2021
Lit # 048



BEEDO-2019-07
Lit # 071



AD-2021-USA
Lit # 043



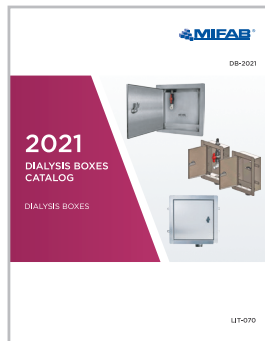
TSP-2021
Lit # 062



ROOFGUARD-2020
Lit # 058



HYDROMAX-2020
Lit # 082



DB-2021
Lit # 070



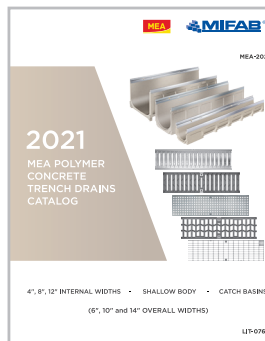
CPORT-2020
Lit # 047



INT-2021
Lit # 095



TDSS-2021
Lit # 072



TDPC-2021
Lit # 076



TD-2021
Lit # 046



TDSD-2021
Lit # 077

CALIFORNIA PROPOSITION 65 WARNING. This product contains chemicals known to the State of California to cause cancer and birth defects or other reproductive harm.

Design and dimensions are subject to modification. Prices do not include applicable taxes. Visit www.mifab.com for the most recent product information.

MIFAB®, Inc., 1321 West 119th Street, Chicago, Illinois 60643-5109, USA
All sales subject to MIFAB's® Terms and Warranties. Please refer to inside front cover.

USA Toll Free: 1-800-465-2736 • Fax: 1-773-341-3049
Canada Toll Free: 1-800-387-3880 • sales@mifab.com

2021

DIALYSIS BOXES CATALOG

DIALYSIS BOXES

