

Location: _____

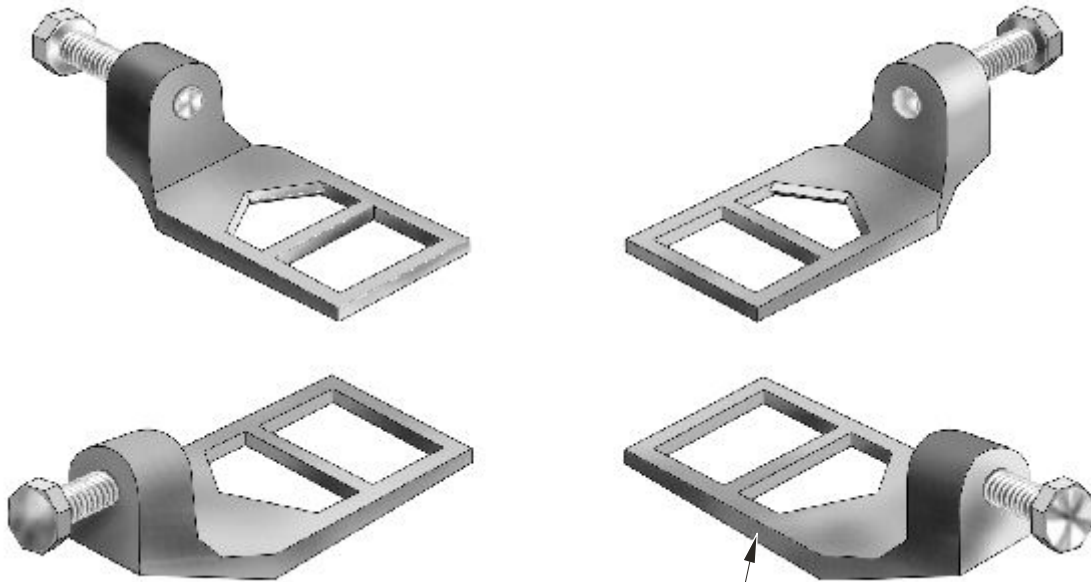


R1800

**MEMBRANE CLAMP
LOCKDOWN CLAMPS**

Specification: MIFAB® R1800 cast metal membrane clamp lockdown clamps with 3/8" (9) hardware.

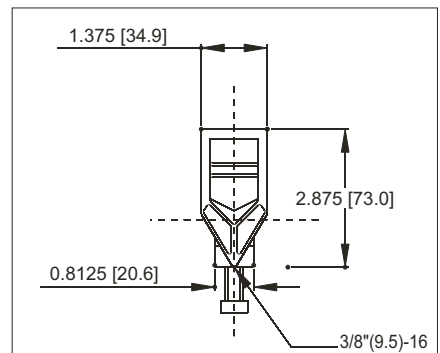
Function: Used to retrofit new membrane clamps and gravel guards onto existing roof drain bodies.



CAST METAL

Metric equivalents see chart below. (Dimension) Denotes Millimetres

Note: Fits Josam 410 membrane clamp



Job Name: _____

Page No: _____

Section No: _____

Contractor: _____

Schedule No: _____

Purchase Order No: _____

MIFAB reserves the right to make changes in material and design without formal notice and obligation.

USA: 1-800-465-2736 www.mifab.com CAN: 1-800-387-3880