

Location: \_\_\_\_\_

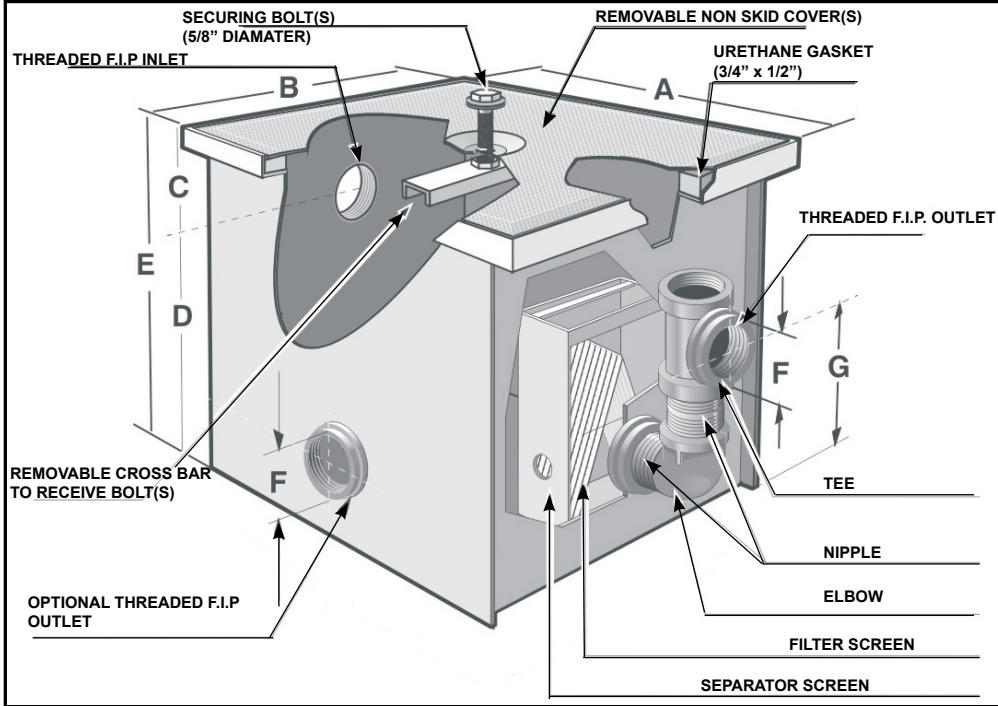


**MI-ROC**

**HYDRO MECHANICAL GREASE INTERCEPTOR WITH THREE WAY OUTLET**

**Specification:** MIFAB® Series MI-ROC \_\_\_ sanitary acid resistant powder epoxy coated inside and outside fabricated 10 gauge steel hydromechanical grease interceptor with flow rating of \_\_\_ (indicate) and grease holding capacity of \_\_\_ (indicate). Unit shall include: F.I.P. inlet and outlet, cast iron drainage fittings to form a visible double wall deep seal trap, easily removable separator and filter screens, recessed, non-skid, rectangular acid resistant, powder epoxy coated gasketed lid for in or above ground use, removable cross bar, and securing bolt(s). Unit shall be complete with three F.I.P. outlet connections. Plugs are provided for the outlet connections not required.

**Function:** Used in restaurants, kitchens, institutions and other types of food processing areas where fat, oil, and grease (FOG) drains with the wastewater. Single bolt lid design permits fast and easy removal of the lid for cleaning and maintenance. Standard acid resistant, powder epoxy coated lid and body ensures maximum protection from contaminants. Three different outlet connections offers maximum flexibility during installation.



- SUFFIX    OPTIONAL VARIATIONS**
- AL    Aluminum Lid(s)
  - AP    Anode pack
  - BA    Buy American Act compliant product
  - specify    Extension "C" as required
  - DP    Dosing pump
  - DW    Double wall contained interceptor
  - EP    Enzyme Port
  - FL    Anchor Flange
  - FLM    Anchor Flange with membrane clamp
  - HD    Heavy Duty load rated lids
  - HLA    High level alarm
  - LD    -Leak detection system
  - NH    MJ No Hub connections
  - SB    Sediment bucket
  - SS    Stainless Steel Interceptor (Type 304)
  - TL    Lid(s) to receive tile or terrazo
  - specify    Special size inlet and outlet

MODEL NO.	US GPM	GREASE CAP. LBS	BODY DIMENSIONS							LIQUID HOLDING CAP. (U.S.G)	REPLACES ROCKFORD
			A	B	C	D	E	F	G		
MI-ROC-1	5	7	10.75"	7.75"	3.50"	5.50"	9.00"	1.50"	7.50"	2	G(F)-710
MI-ROC-2	8	12	11.75"	9.75"	3.88"	7.63"	11.50"	2.00"	9.63"	3.5	G(F)-1012
MI-ROC-3	12	18	14.25"	11.88"	4.50"	8.63"	13.13"	2.00"	10.75"	6	G(F)-1412
MI-ROC-4	16	60	20.00"	11.75"	5.00"	11.00"	15.88"	2.00"	13.75"	11.3	G(F)-1815
MI-ROC-5	20	70	21.88"	14.50"	5.88"	12.00"	17.88"	2.00"	15.00"	18.7	G(F)-1820
MI-ROC-6	30	90	26.00"	19.75"	6.13"	15.50"	21.63"	3.00"	17.88"	34.5	G(F)-2420
MI-ROC-7	35	120	26.00"	19.75"	8.63"	16.50"	25.13"	3.00"	20.75"	40	G(F)-2635
MI-ROC-8	40	180	27.75"	20.25"	7.88"	21.50"	29.38"	4.00"	25.75"	59	G(F)-2824
MI-ROC-9	50	220	31.13"	21.75"	7.88"	21.50"	29.38"	4.00"	25.75"	46.6	G(F)-3050
MI-ROC-10	60	250	34.50"	21.75"	7.88"	21.50"	29.38"	4.00"	25.75"	74.5	G(F)-3224
MI-ROC-11	75	300	34.50"	24.25"	8.50"	22.00"	30.50"	4.00"	26.25"	85.3	G(F)-3475
MI-ROC-12	100	350	37.00"	31.50"	8.13"	22.00"	30.13"	4.00"	26.25"	114.2	G(F)-3628
MI-ROC-LO-1	16	65	21.25"	15.25"	4.63"	6.00"	10.63"	2.00"	8.75"	10.9	G(F)-23-LO
MI-ROC-LO-2	20	80	27.25"	21.25"	7.13"	6.50"	13.63"	2.00"	10.25"	23.6	G(F)-25-LO
MI-ROC-LO-3	30	90	31.25"	21.25"	7.13"	6.50"	13.63"	3.00"	10.25"	27.2	G(F)-30-LO
MI-ROC-LO-4	35	108	37.25"	21.25"	7.13"	7.00"	14.13"	3.00"	10.25"	32.6	G(F)-36-LO
MI-ROC-LO-5	40	200	46.00"	21.25"	5.88"	10.13"	16.00"	3.00"	11.00"	42.9	G(F)-45-LO
MI-ROC-LO-6	50	250	51.00"	21.25"	5.88"	10.13"	16.00"	3.00"	11.00"	47.7	G(F)-50-LO

Job Name: \_\_\_\_\_  
 Section No: \_\_\_\_\_  
 Schedule No: \_\_\_\_\_

Page No: \_\_\_\_\_  
 Contract: \_\_\_\_\_  
 Purchase Order No: \_\_\_\_\_

MIFAB reserves the right to make changes in material and design without formal notice or obligation.