

Location: _____

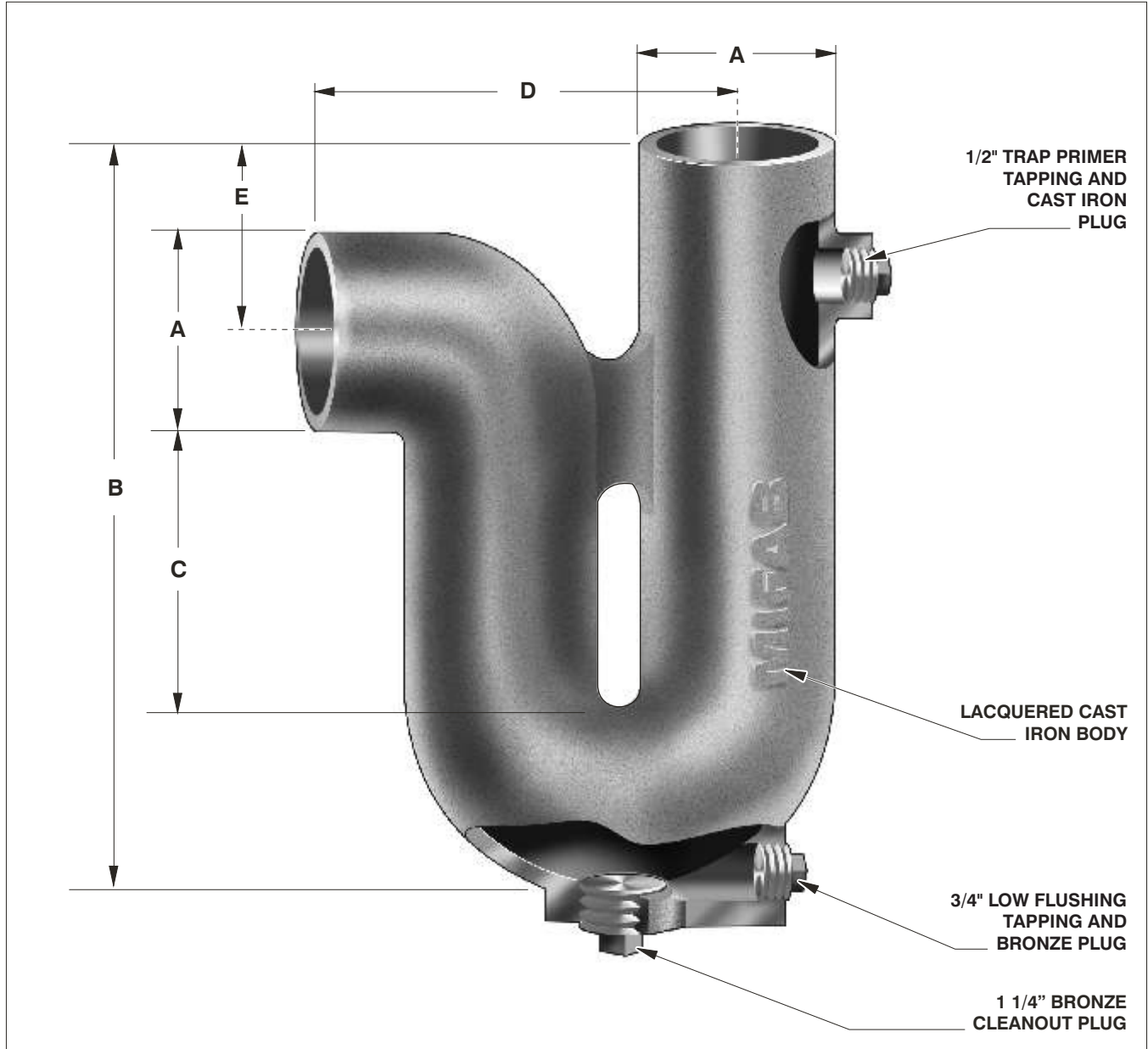


MI-950

DEEP SEAL TRAP

Specification: MIFAB® Series MI-950 lacquered deep seal trap with 1/2" trap seal primer tapping and cast iron plug, 3/4" low flushing tapping and bronze plug and 1 1/4" bottom bronze cleanout plug.

Function: Used to maintain the water seal trap underneath bottom outlet drains.



MODEL NUMBER	"A" PIPE SIZE	"B" BODY HEIGHT	"C" TRAP DEPTH	"D" CENTER TO OUTLET	"E" INVERT
MI-952	2" (51)	10 1/2" (267)	3 1/2" (89)	6 1/2" (165)	3" (76)
MI-953	3" (76)	13 1/2" (343)	4 1/2" (114)	8" (203)	3 1/2" (89)
MI-954	4" (102)	15 1/2" (394)	4 1/2" (114)	10 1/2" (267)	4 1/4" (108)

SUFFIX OPTIONAL VARIATIONS:
 -13 All galvanized

Job Name: _____ Page No: _____
 Section No: _____ Contractor: _____
 Schedule No: _____ Purchase Order No: _____

MIFAB reserves the right to make changes in material and design without formal notice and obligation.

USA: 1-800-465-2736 www.mifab.com CAN: 1-800-387-3880