

Location: \_\_\_\_\_

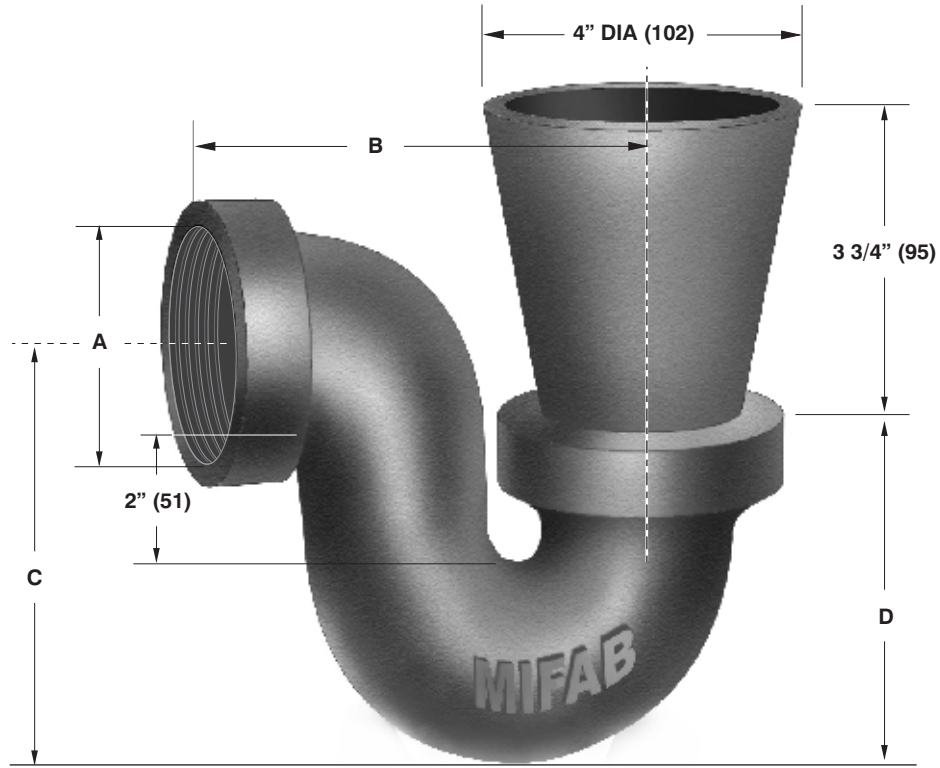


**MI-940**

**COMPACT DEEP SEAL TRAP WITH FUNNEL**

**Specification:** MIFAB® Series MI-940 compact cast iron deep seal trap drain with combination funnel.

**Function:** Recommended for hospitals, hotels and laboratories where indirect waste lines above the floor require receptors to receive drip, condensate or waste water. The “P” trap is engineered to prevent sewer gases from entering the room.



**MI-940 DIMENSIONS**

MODEL NUMBER	WEIGHT (Lbs)	“A” PIPE SIZE	“B” CENTER TO OUTLET	“C” CENTER OF INLET TO BOTTOM	“D” TRAP DEPTH
MI-941	4.00	1 1/2”	5 3/4”	5”	4”
MI-942	5.00	2”	5 3/4”	5 1/4”	4 1/4”
MI-943	6.00	3”	7 3/4”	6 3/4”	6 1/4”

**SUFFIX**

**OPTIONAL VARIATIONS:**

- 13 Galvanized body 1 1/2”
- 13 Galvanized body 2”
- 13 Galvanized body 3”
- 49 Chrome plated
- ARRA ARRA (Stimulus Act) compliant product
- BA Buy American Act compliant product
- NH No hub outlet connection (See MI-850)
- PA Pennsylvania Steel Act compliant product

Job Name: \_\_\_\_\_  
 Section No: \_\_\_\_\_  
 Schedule No: \_\_\_\_\_

Page No: \_\_\_\_\_  
 Contractor: \_\_\_\_\_  
 Purchase Order No: \_\_\_\_\_

MIFAB reserves the right to make changes in material and design without formal notice and obligation.

USA: 1-800-465-2736 www.mifab.com CAN: 1-800-387-3880