

Location: \_\_\_\_\_

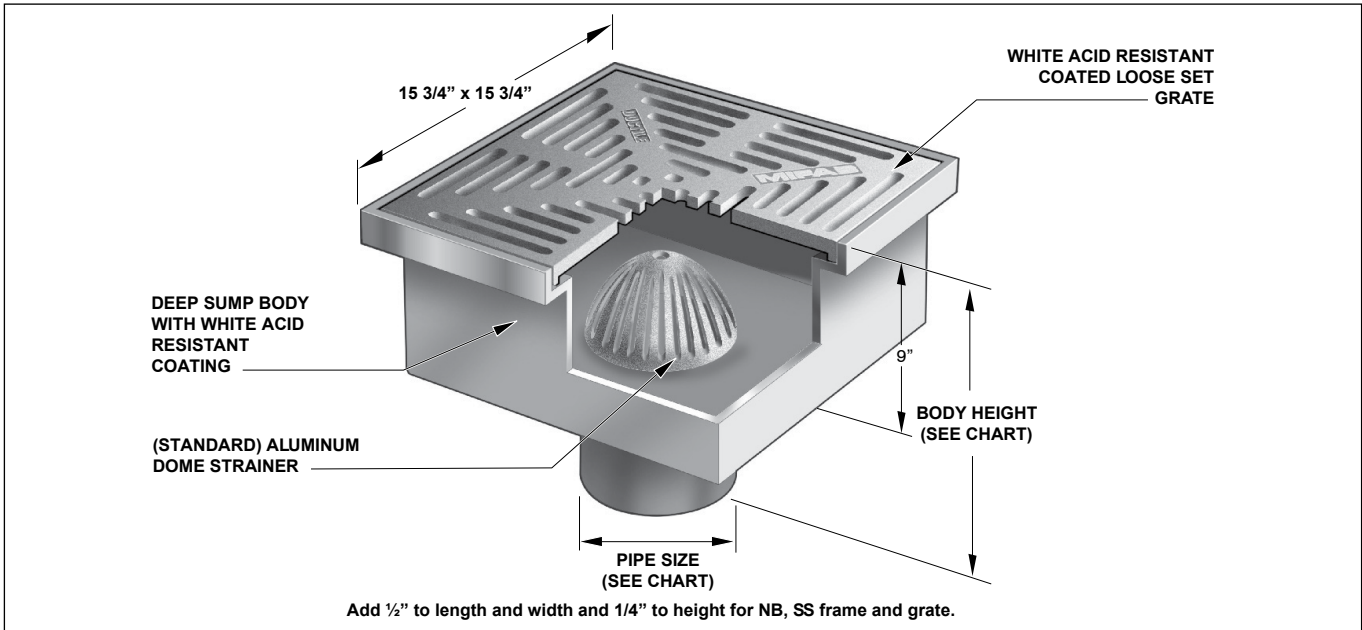


**FS1770**

**16" X 16" X 9" DEEP FLOOR AREA AND  
INDIRECT SANITARY WASTE DRAIN**

**Specification:** MIFAB Series FS1770, 16" x 16" x 9" deep floor area and indirect sanitary waste drain complete with white acid resistant coated steel interior and heavy duty ductile iron loose set grate with white acid resistant coating. Anti-splash aluminum dome strainer included.

**Function:** Used in kitchens, restaurants, grocery stores, hospitals, schools, and other commercial areas that require a large volume sanitary drain. Also suitable for indirect waste applications.



PIPE SIZE	BODY HEIGHT				
	NO HUB (STANDARD)	PUSH ON (P)	THREADED (T)	INSIDE CAULK (X)	PVC (-30) / ABS (-31)
2" (51)	12" (305)	12 3/8" (314)	11 1/4" (285)	12 3/4" (324)	11 15/16" (303)
3" (76)	12" (305)	12 3/8" (314)	11 5/8" (295)	12 3/4" (324)	12 3/4" (324)
4" (102)	12" (305)	12 3/8" (314)	11 5/8" (295)	12 3/4" (324)	12 3/4" (324)

**Note:** All of MIFAB's FS1770 drains are manufactured with transition outlet bodies only.

**SUFFIX      OPTIONAL VARIATIONS**

- 1      Nickel bronze frame and grate
- 3      Stainless steel frame and grate
- 5      Sediment bucket
- 6      Security screws (1, -3 only, T-20 Torx and pin)
- 7      1/2" trap seal primer connection
- 8      Backwater valve (2", 3" or 4" only)
- 21     Secondary flat stainless steel strainer
- 22     Less grate
- 30     PVC outlet
- 31     ABS outlet
- 32     Deep seal trap with flushing connection
- 50     A.R.E. coated cast iron funnel
- 51     2 1/2" round center hole in grate (-1, -3 only)
- 69     Stainless steel sediment bucket
- 83     Stainless steel mesh screen over sediment bucket
- 90     Threaded side outlet
- 90NH   No hub side outlet

**SUFFIX      OPTIONAL VARIATIONS**

- 95     Client logo (-1, -3 only)
- 150    1/2" PVC grate
- 175    3/4" PVC grate
- BA     Minimum 51% material cost made in the USA (Standard)
- C      Membrane Clamps
- F4     4" round funnel
- F6     6" round funnel
- FL     Anchor flange
- G      4" x 9" oval funnel
- J      3" x 1" oval funnel
- P      Push on outlet
- PA     Pennsylvania Steel Act compliant product
- T      Threaded outlet
- X      Inside caulk outlet
- Z      Extended wide elastomeric flange (with -FL only)

CALIFORNIA PROPOSITION 65 WARNING. This product contains chemicals known to the State of California to cause cancer and birth defects or other reproductive harm.

Job Name: \_\_\_\_\_ Page No: \_\_\_\_\_  
 Section No: \_\_\_\_\_ Contractor: \_\_\_\_\_  
 Schedule No: \_\_\_\_\_ Purchase Order No: \_\_\_\_\_