

Location: _____



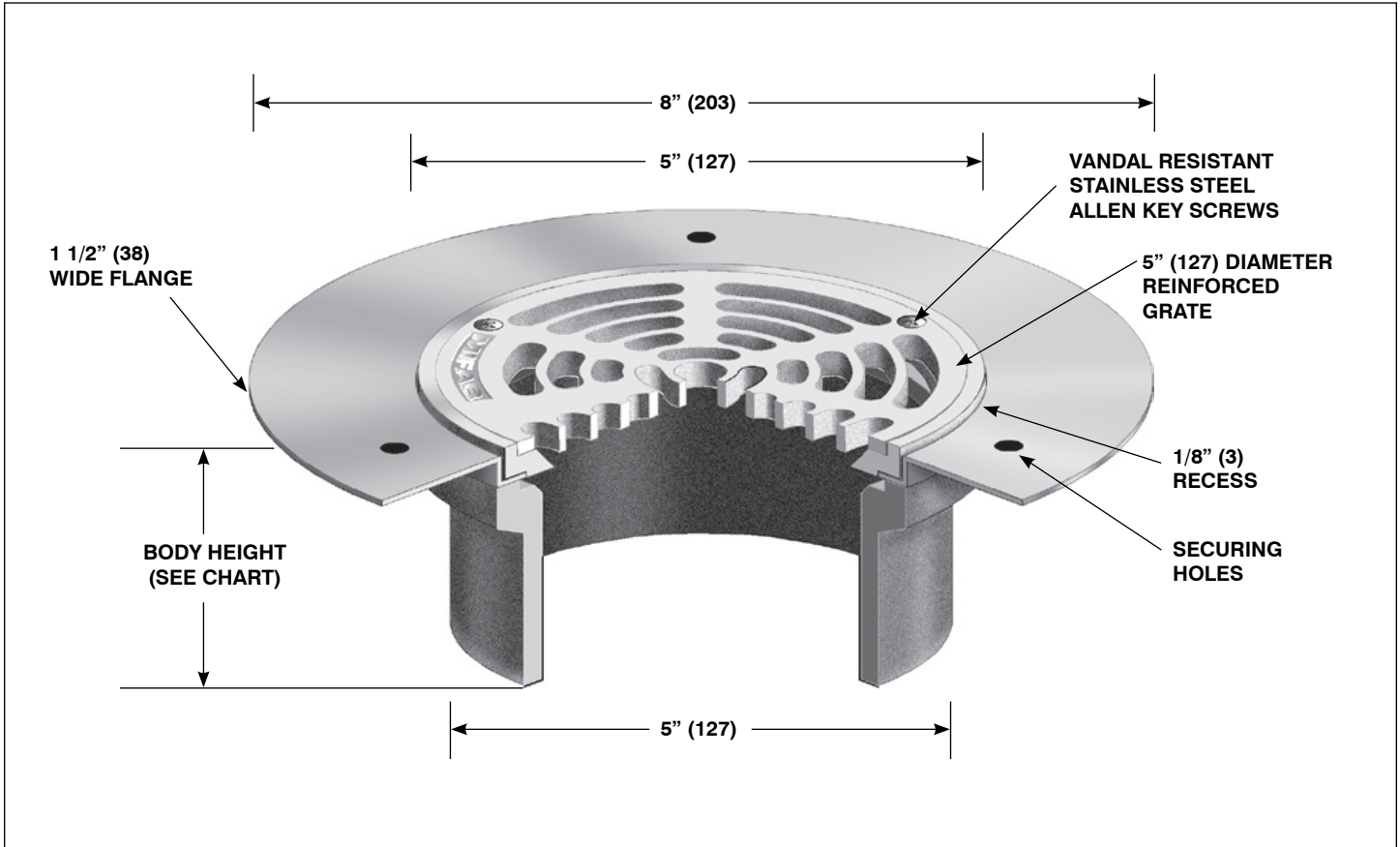
MIFAB®

FD230-WF

WOOD DECK FLOOR DRAIN

Specification: MIFAB Series FD230-WF lacquered cast iron wood floor drain with 1 1/2" (38) wide securing flange, and standard, 5" (127) diameter (specify material finish) strainer.

Function: Used in showers, kitchens, restrooms and other non-membrane finished areas. Round strainer is used with all types of finished floors. Shallow depth body is ideal for shallow pour applications. 1 1/2" wide flange is ideal to secure drain to wood decks.



STRAINER DIAMETER	ANSI/ASME RATING			PIPE SIZE	BODY HEIGHT				WEIGHT LBS.
	FREE AREA	LOAD RATING			CAST IRON BODY (NH)	NICKEL BRONZE BODY (-1)	PVC BODY (-30)	ABS BODY (-31)	
		N.B. (-1)	D.I. (-4)						
5" (127)	8 in ² (5200 ²)	UP TO 2,000 LBS.	UP TO 7,499 LBS.	2" (51)	2 3/16" (56)	2 3/16" (56)	2 5/8" (67)	2 5/8" (67)	4 lbs.
				3" (76)	2 3/16" (56)	2 3/16" (56)	2 5/8" (67)	2 5/8" (67)	4 lbs.
				4" (102)	2 3/16" (56)	2 3/16" (56)	2 5/8" (67)	2 5/8" (67)	4 lbs.

Job Name: _____ Page No: _____
 Section No: _____ Contract: _____
 Schedule No: _____ Purchase Order No: _____