

Location: \_\_\_\_\_

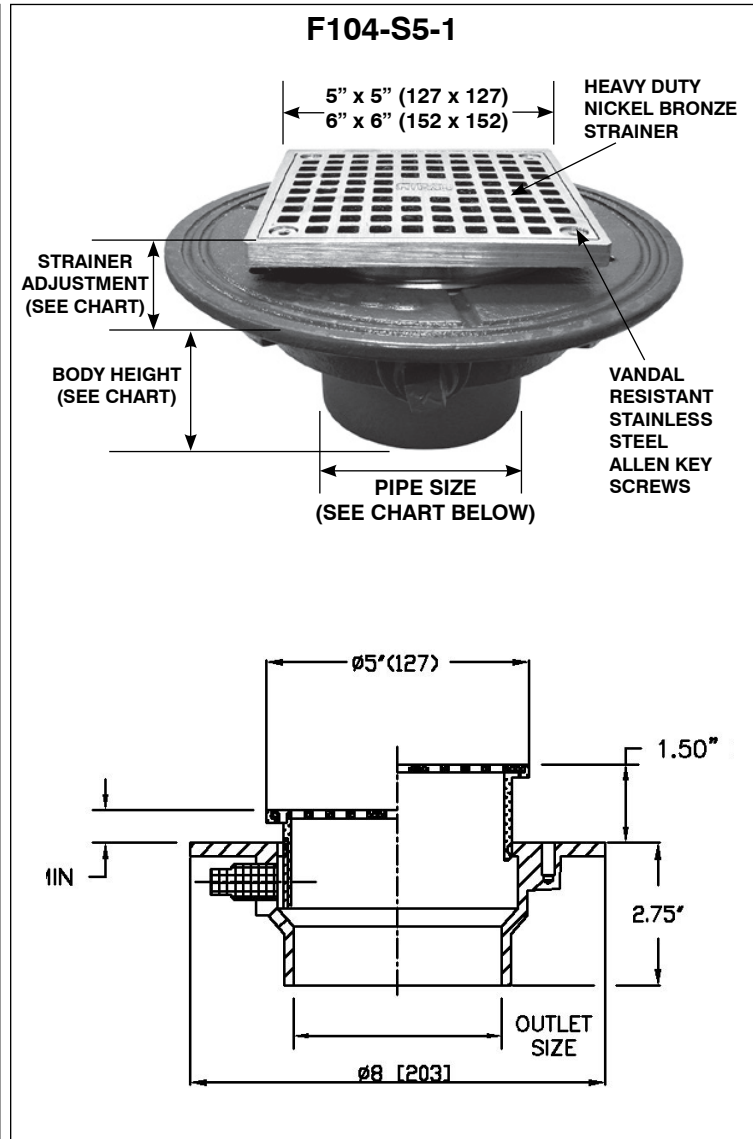
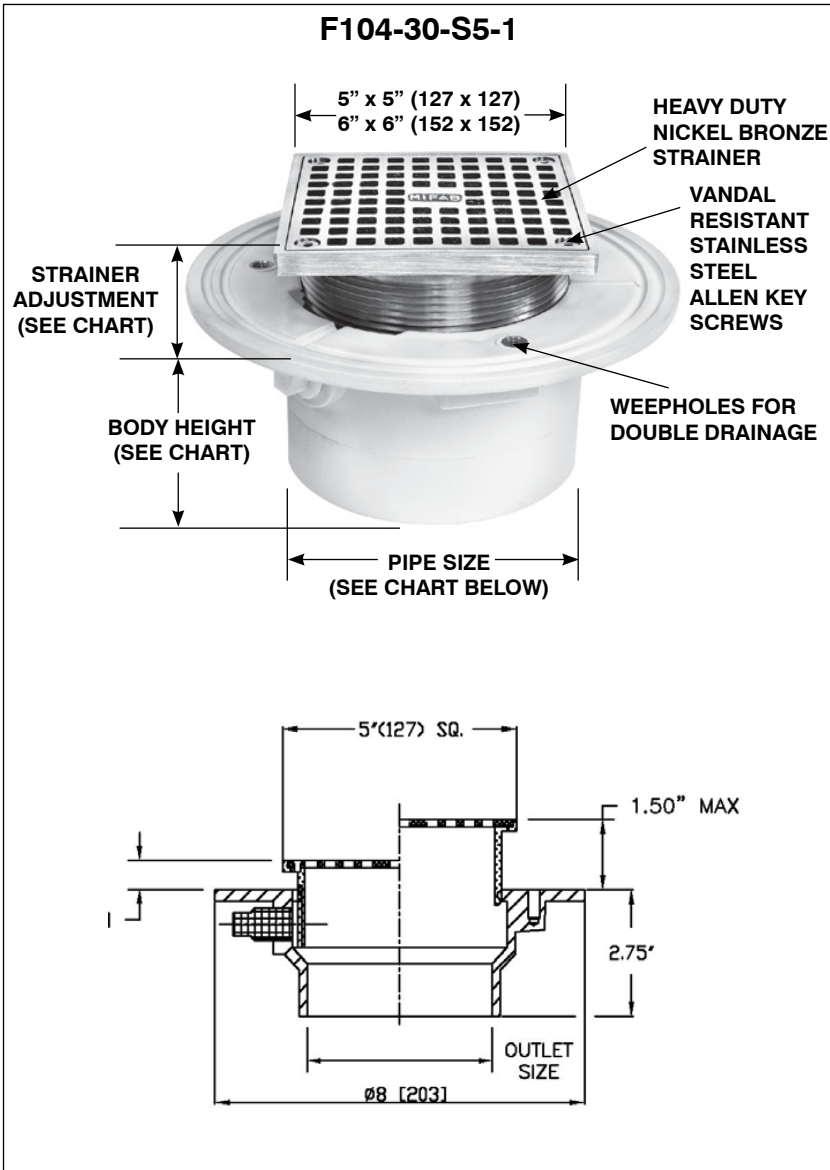


**F100-S**

**SQUARE ADJUSTABLE FLOOR DRAIN WITH FLANGE**

**Specification:** MIFAB Series F100-S lacquered cast iron floor drain with anchor flange, weepholes, and standard heavy duty square nickel bronze strainer.

**Function:** Used in showers, kitchens, restrooms, and other non-membrane finished areas. Square adjustable nickel bronze strainer is used for floors that are finished of material or straight line patterns.



**SUFFIX OPTIONAL VARIATIONS**

-6 Vandal proof

STRAINER DIAMETER	STRAINER ADJUSTMENT		ANSI/ASME RATING		PIPE SIZE	NO HUB (STANDARD)	PUSH ON (P)	PVC/ABS (-30)/(-31)
	MIN	MAX	FREE AREA	LOAD RATING				
5" (127)	1/2" (13)	1 1/2" (38)	8 in <sup>2</sup> (5200 <sup>2</sup> )	Up to 2,000 Lbs.	2" (51)	3" (76)	3 3/8" (86)	2 15/16" (75)
6" (152)	11/16" (17)	1 1/2" (38)	9 in <sup>2</sup> (5800 <sup>2</sup> )	Up to 2,000 Lbs.	3" (76)	3" (76)	3 3/8" (86)	3 3/4" (95)
					4" (102)	3" (76)	3 3/8" (86)	3 3/4" (95)

Job Name: \_\_\_\_\_  
 Section No: \_\_\_\_\_  
 Schedule No: \_\_\_\_\_

Page No: \_\_\_\_\_  
 Contract: \_\_\_\_\_  
 Purchase Order No: \_\_\_\_\_