

Location: \_\_\_\_\_



# CV-FLG

# SWING CHECK VALVE

**Purpose:** The Beeco Swing Check valves are used to prevent backflow protecting system equipment. Swing check valves are used to prevent flow reversal in piping systems. They are suitable for service in horizontal or vertical flow upward installation. Swing check valves have low pressure drop and are best suited for moderate velocity applications.

**Standards:** Comply with AWWA C508. Standard working pressure 125PSI available in high pressure model to 250 PSI. Temperature range 50°F to 180°F with NBR disk and 50°F to 250°F with Bronze or EPDM disk trim. Flanges comply to ANSI B16.5.

**Features:** Swing check valves can be furnished with an outside lever and weight. The object of the lever and weight is either to balance the disc or give it added weight. In balancing the disc, the valve will open with a minimum of pressure. When the disc is weighted, the valve will be very sensitive to a reversal of flow.

**Features and Benefits of the Beeco Flex Check Valve:**

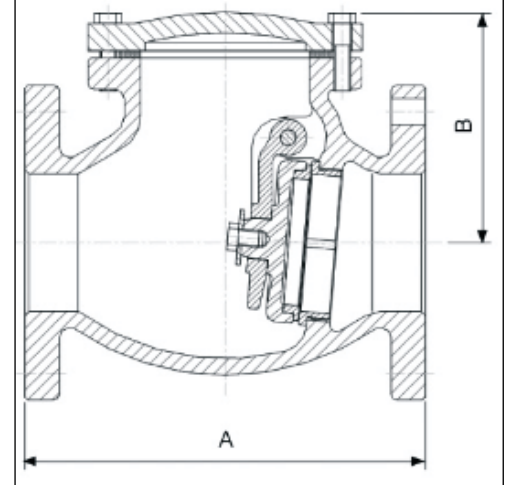
- Zero leakage at a 5psi differential.
- Rated to 250psig working pressure.
- Fusion Bond epoxy coating.
- Only one moving part.
- Ductile Iron Body & Cover
- Disc fully encapsulated with EPDM
- Free of pockets that could collect a build up
- Does not have to be furnished with levers, springs or weights to prevent disc slam

Part Name	Material	EN Spec.	ASTM Spec.
Body	Cast Iron	EN-JL1040	A126 Class B
Cover	Cast Iron	EN-JL1040	A126 Class B
Gasket	Graphite	Non-asbestos	Non-asbestos
Hanger Pin	Stainless Steel	17440X20Cr13	AISI 420
Hanger	Ductile Iron	EN-JS-1050	A536 65-45-12
Disc	Cast Iron	EN-JL1040	A126 Class B
Disc Trim	Brass	CuZn38Pb3	B16 C36000
	EPDM/NBR	Commercial	Commercial
Body Trim	Brass	CuZn39Pb3	B16 C36000
Side Plug	Brass	CuZn39Pb3	B16 C36000



**CV6.00-FLG-RD**

Model No.	Size	A	B
CV1.50-FLG-RD	1 1/2"	7.09"	4.13"
CV2.00-FLG-RD	2"	7.87"	4.65"
CV2.50-FLG-RD	2 1/2"	9.45"	4.38"
CV3.00-FLG-RD	3"	10.24"	5.67"
CV4.00-FLG-RD	4"	11.81"	6.06"
CV5.00-FLG-RD	5"	13.78"	7.05"
CV6.00-FLG-RD	6"	15.75"	7.24"
CV8.00-FLG-RD	8"	19.69"	9.65"
CV10.00-FLG-RD	10"	23.62"	13.62"
CV12.00-FLG-RD	12"	27.56"	13.27"



CALIFORNIA PROPOSITION 65 WARNING: This product contains chemicals known to the State of California to cause cancer and birth defects or other reproductive harm.

Job Name: \_\_\_\_\_ Page No: \_\_\_\_\_

Section No: \_\_\_\_\_ Contractor: \_\_\_\_\_

Schedule No: \_\_\_\_\_ Purchase Order No: \_\_\_\_\_