

Location: \_\_\_\_\_



# ACV-HF

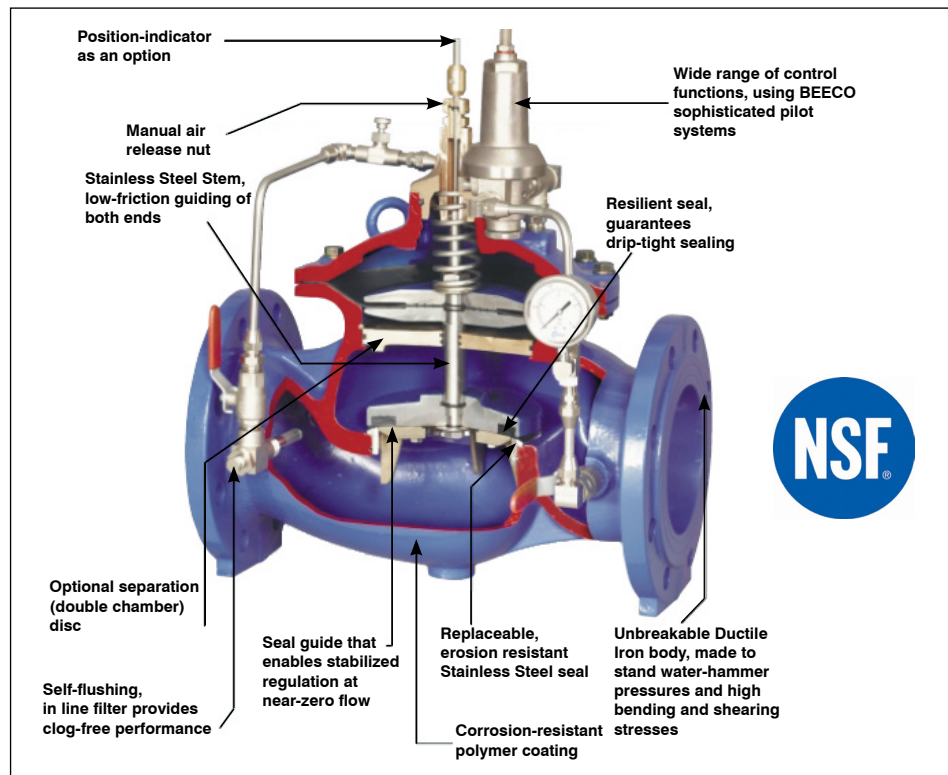
# AUTOMATIC CONTROL VALVES HIGH FLOW

**Specification:** The Automatic Control Valve shall be a Ductile Iron Body and Cover design. The Valve shall have a resilient seal disc, guided top and bottom; Bottom guide will be vanes, sliding in a stainless steel seat arrangement, single seated line pressure operated, diaphragm actuated, pilot controlled, valve. The valve shall seal by means of a stainless steel seat. All parts are to be replaceable in the field without removing the valve from the line. All flange dimensions including face to face lengths shall conform to ISO Standards.

**Function:** Through the interchangeability of operating pilot the Beeco ACV can be used to perform any hydraulic control function such as pressure control and regulation, flow control, water level control, remote electric control and other functions or combination of functions. During the closing procedure, the pace slows down automatically, reducing or mitigating the risk for water hammer or surges in the line.

**Features:** The capability to regulate "near zero" flow, completely eliminates the need for special low flow devices such as throttling or plug type valves and there is no need for a low flow bypass valve. The internal floating shaft, allows for no friction or leakage eliminating the need for shaft sealing. The unique design of the shaft provides for easy field maintenance. All control ports are protected with Stainless Steel inserts. Valve shall have the ability to easily convert to a double chamber valve when needed, without changing the internal mechanism. Valve Trim shall be able to be serviced and lifted by hand, with no lifting machinery. Standard valve has a very low Cavitation Index without the need to add Anti-Cavitation devices. The High Flow Series is a great choice when exceptionally high flow capacities at low pressure losses are desired. Our valve is energy efficient by incurring minimum headloss at very high flows. Just install, set and forget. In addition, an extremely low cavitation index makes this valve an excellent choice for most demanding situations, with minimal noise and high reliability for the long term.

**Ratings:** Flange Standard ANSI B16.1 Class 150, 250 PSI rating, Operating Velocity of 18 ft/sec, Water 33° F to 180° F. 350 psi rated valves are available upon request.



Model No.	Size
ACV2.50-HF	2 1/2"
ACV3.00-HF	3"
ACV4.00-HF	4"
ACV6.00-HF	6"
ACV8.00-HF	8"
ACV10.00-HF	10"
ACV12.00-HF	12"
ACV16.00-HF	16"
ACV20.00-HF	20"
ACV24.00-HF	24"

**SUFFIX OPTIONAL VARIATIONS**

- PR Pressure Reducing
- PS Pressure Sustaining
- EL Electric Actuated
- EL-PR Electric Actuated Pressure Reducing

**SUFFIX OPTIONAL VARIATIONS**

- EL-PS Electric Actuated Pressure Sustaining
- HP High pressure valve (up to 350 PSI)
- CXPR High pressure pilot (above 235 PSI incoming pressure)
- SST All stainless steel body and cover

CALIFORNIA PROPOSITION 65 WARNING. This product contains chemicals known to the State of California to cause cancer and birth defects or other reproductive harm.

Job Name: \_\_\_\_\_ Page No: \_\_\_\_\_

Section No: \_\_\_\_\_ Contractor: \_\_\_\_\_

Schedule No: \_\_\_\_\_ Purchase Order No: \_\_\_\_\_

Location: \_\_\_\_\_



# ACV-HF

## AUTOMATIC CONTROL VALVES HIGH FLOW

Diameter	40mm (1 1/2")		50mm (2")		65mm (2 1/2")		80mm (3")		100mm (4")		150mm (6")	
	m <sup>3</sup> /h	GPM	m <sup>3</sup> /h	GPM	m <sup>3</sup> /h	GPM	m <sup>3</sup> /h	GPM	m <sup>3</sup> /h	GPM	m <sup>3</sup> /h	GPM
Nominal flow	11	50	20	80	20	80	40	180	75	325	160	705
Max. continuous flow	25	110	40	175	40	175	100	440	160	705	350	1540
Max. intermittent flow	35	160	55	250	55	250	145	640	225	995	510	2240
Minimal flow	< 1 m <sup>3</sup> /h / GPM											
KV [m <sup>3</sup> /h@1bar]	45		45		45		110		175		400	
CV [gpm@1psi]	53		53		53		128		204		467	
K [dimensionless]	2		4.9		14.1		5.4		5.2		5	

Valve Size	40 Th (1 1/2")		50 Th (2")		50A Th (2")		50A F (2")		50 F (2")		65 F (2 1/2")		80 F (3")		100 F (4")		150 F (6")	
	mm	inch	mm	inch	mm	inch	mm	inch	mm	inch	mm	inch	mm	inch	mm	inch	mm	inch
L	202	7 15/16	202	7 15/16	156	6 1/8	193.5	7 5/8	200	7 7/8	210	8 1/4	285	11 1/4	305	12	390	15 3/8
H	169	6 5/8	169	6 5/8	185	7 1/4	211	8 3/16	214	8 7/16	224	8 13/16	293	11 5/16	330	13	450	17 3/4
W	116	4 5/16	116	4 5/16	115	4 1/2	165	6 1/2	165	6 1/8	185	7 1/4	200	7 7/8	220	8 11/16	285	11 1/4
R	38	1 1/2	38	1 1/2	117	4 5/8	111	4 3/8	82.5	3 3/4	92.5	3 5/8	100	3 11/16	110	4 1/16	142.5	5 5/8
Weight*	Kg	lbs	Kg	lbs	Kg	lbs	Kg	lbs	Kg	lbs	Kg	lbs	Kg	lbs	Kg	lbs	Kg	lbs
	4.8	10.7	4.6	10.2	5.2	11.5	9.8	21.8	9.5	21.1	12	26.6	21	46.6	26	57.7	60	133.2

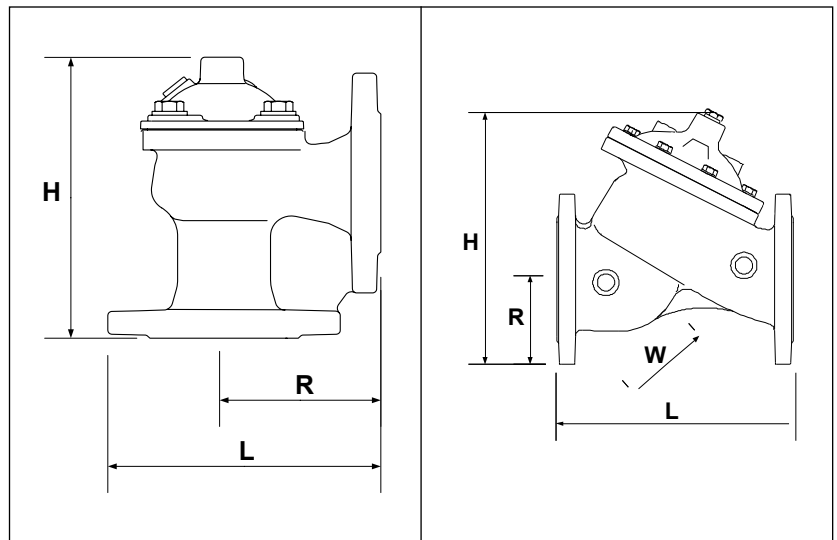
\* Approximate Shipping Weight.

F - Flanged, Th - Threaded connections, A - Angle

MODEL NO.	SIZE
ACV1.50-HF5PS	1 1/2"
ACV2.00-HF5PS	2"
ACV2.50-HF5PS	2 1/2"
ACV3.00-HF5PS	3"
ACV4.00-HF5PS	4"
ACV6.00-HF5PS	6"

**SUFFIX OPTIONAL VARIATIONS**

- EL Electric Activated
- PR Pressure Reducing
- PRT Pressure Reducing Threaded (1-1/2" & 2" only) -PS Pressure Sustaining
- PST Pressure Sustaining Threaded (1-1/2" & 2" only)
- SST All stainless steel body and cover



PR and PS models are available in the flange connection models as well.

CALIFORNIA PROPOSITION 65 WARNING. This product contains chemicals known to the State of California to cause cancer and birth defects or other reproductive harm.

Job Name: \_\_\_\_\_

Page No: \_\_\_\_\_

Section No: \_\_\_\_\_

Contractor: \_\_\_\_\_

Schedule No: \_\_\_\_\_

Purchase Order No: \_\_\_\_\_