

Location: \_\_\_\_\_

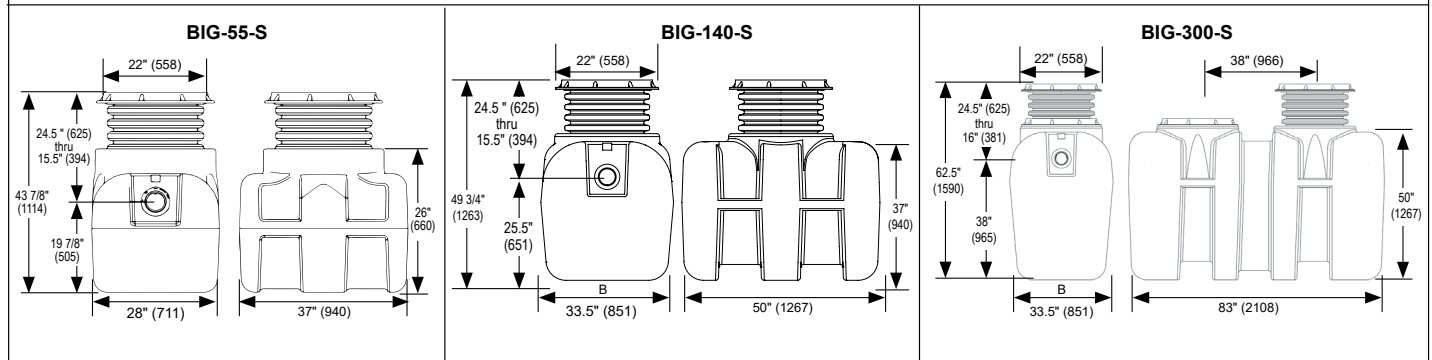
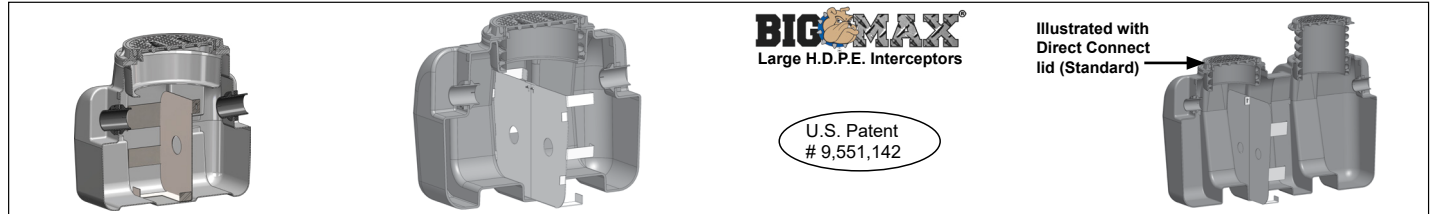


**BIG-S**

**Big Max® – HDPE Solids Interceptors**

**Specification:** MIFAB® Series BIG- \_\_\_\_ -S HDPE rotational molded solids interceptor with solids holding capacity of \_\_\_\_ (indicate). Unit shall include: 3/8" uniform wall thickness, solids retention baffle with elevated 3" diameter passageway, adjustable lid system, sample port access and 4" no hub inlet and outlet connections. Steel encased composite lid provides a water / gas tight seal and has a minimum of 20,000 lbs. load capacity. The lid is designed in accordance with the loading requirements of AASHTO H20.

**Function:** Solids interceptors are required anywhere that solids may be introduced into the public sewer system in applications such as: barber shops, dentist offices, salons, artist studios, laundry facilities, machine shops, food waste, parking lots, car washes, food processing, livestock and agricultural drainage. These wastes must be separated before entering the sewer system. Ideally installed between the fixtures and the grease interceptor in restaurants, kitchens, institution industrial facilities such as food processing and packaging plants and other types of food processing areas where fat, oil and grease (FOG) drains with the waste water. Sediment and debris are collected inside of the internal sediment bucket to ensure that this matter does not clog the grease interceptor. Typically installed either on or into the floor. Narrow width permits access through doorways and down stairwells. High Density Polyethylene construction ensures a lightweight installation process (two people can move and install it). Regular maintenance is required to keep the interceptor functioning. All Big Max interceptors can withstand a temperature of up to and including 180 degrees Fahrenheit.



NOTE:	Model No.	LIQUID CAP. (Gallons / Cu. Ft.)	SOLIDS CAP. (Gallons / Cu. Ft.)	B Width	Shipping Weight (Lbs.)
The BIG-55-S is not available until June, 2020	BIG-55-S	55 / 7.19	28 / 4	28.00"	92
	BIG-140-S	140 / 18.30	70 / 9	33.50"	165
	BIG-300-S	300 / 39.21	150 / 20	33.50"	290

SUFFIX	OPTIONAL VARIATIONS	PART NO.
-AK	Anchor kit (set of two) for BIG-55-S	BIG-500-AK-SET
-AK	Anchor kit (set of two) for BIG-140-S	BIG-750-AK-SET
-AK	Anchor kit (set of two) for BIG-300-S	BIG-1150-AK-SET
-C	Lid Extension - up to 44" high - for BIG-55-S	BIG-EXT-44
-C	Lid Extension - up to 72" high - for BIG-55-S	BIG-EXT-72
-C	Lid Extension - up to 44" high - for BIG-140-S	BIG-EXT-44
-C	Lid Extension - up to 72" high - for BIG-140-S	BIG-EXT-72
-C	Lid Extension - up to 44" high - for BIG-300-S	BIG-EXT-44 (2 pcs. Req.)
-C	Lid Extension - up to 72" high - for BIG-300-S	BIG-EXT-72 (2 pcs. Req.)
-DI	Ductile iron lid and collar - for BIG-55-S	XL-MI-G-0-PL4
-DI	Ductile iron lid and collar - for BIG-140-S	XL-MI-G-0-PL4
-DI	Ductile iron lid and collar - for BIG-300-S (Two pieces required)	XL-MI-G-0-PL4 (2 pcs. Req.)
-F6	6" no hub inlet and outlet - for each piece (Two pieces required)	MI-G-PL-PF6
-FL-C	Membrane clamp kit for BIG-55-S and BIG-140-S	XL-MI-G-PL-FLM (2 pcs. Req.)
-FL-C	Membrane clamp kit for BIG-300-S	XL-MI-G-PL-FLM (2 pcs. Req.)
-LHSI	No hub inlet on left hand side (not available with sediment bucket) (for Lil Max, Big Max, SuperMax)	MI-G-PL-PF4
-LHSO	No hub outlet on left hand side (not available with sediment bucket) (for Lil Max, Big Max, SuperMax)	MI-G-PL-PF4
-POK	Remote pump out kit (also includes Remote Pump Out (-RPO))	Contact MIFAB
-RHSI	No hub inlet on right hand side (not available with sediment bucket) (for Lil Max, Big Max, SuperMax)	MI-G-PL-PF4
-RHSO	No hub outlet on right hand side (not available with sediment bucket) (for Lil Max, Big Max, SuperMax)	MI-G-PL-PF4
-RPO	3" Remote pump outlet connections on top of interceptor - specify location and number required	Contact MIFAB
-SP	External sampling port - inline, high connections	BIG-SP
-SP-L	External sampling port - inline, low connections	BIG-SP-L
-SP-OF	External sampling port - offset	BIG-SP-OF
-T	Female threaded connections (for each piece - Two pieces required)	MI-G-PL-PF4T

CALIFORNIA PROPOSITION 65 WARNING. This product contains chemicals known to the State of California to cause cancer and birth defects or other reproductive harm.

Job Name: \_\_\_\_\_ Page No: \_\_\_\_\_  
 Section No: \_\_\_\_\_ Contractor: \_\_\_\_\_  
 Schedule No: \_\_\_\_\_ Purchase Order No: \_\_\_\_\_