



www.mifab.com

TDSS-2016

Go to
www.mifab.com
for the most
current product
specification
sheets.



Stainless Steel Trench Drains & Accessories

LIT-072

PICTORIAL INDEX

 P2060 (pg. 17)	 P2080 (pg. 18)	 P2120 (pg. 19)	 P3060 (pg. 20)	 P3080 (pg. 21)
 P3100 (pg. 22)	 P3120 (pg. 23)	 P4080 (pg. 24)	 P4120 (pg. 25)	 P5000 (pg. 26-27)
 P6012 (pg. 5)	 P6030 (pg. 6)	 P6060 (pg. 7)	 P6120 (pg. 8)	 P6150 (pg. 9)
 P6230 (pg. 10)	 P6260 (pg. 11)	 P6290 (pg. 12)	 P6325 (pg. 2)	 P6335 (pg. 3)
 P6345 (pg. 4)	 P6400 (pg. 28)	 P7040 / P7060 (pg. 29)	 P8100 / P8200 (pg. 31)	 P8400 (pg. 31)
 P9000 (pg. 32)	 P9000-FL (pg. 33)	 P9000-CFL (pg. 34)	 P9000-FL-SO (pg. 35)	 P9000-TI-FL (pg. 36)
 P9000-TI-CFL (pg. 37)	 P9000-TI (pg. 38)	 P9000-TI-SO (pg. 39)	 Catch Basins (pg. 13-14)	 Grate Designs (pg. 15-16)

TABLE OF CONTENTS

PAGE NO.

P2060 - 6" x 6" Stainless Steel Fabricated Floor Drain 17

P2080 - 8" x 8" Stainless Steel Fabricated Floor Drain..... 18

P2120 - 12" x 12" Stainless Steel Fabricated Floor Drain..... 19

P3060 - 6" Round Stainless Steel Fabricated Floor Drain..... 20

P3080 - 8" Round Stainless Steel Fabricated Floor Drain..... 21

P3100 - 12" Round Stainless Steel Fabricated Floor Drain..... 22

P3120 - 12" x 12" Stainless Steel Fabricated Floor Drain with Solid Cover and Perimeter Drainage 23

P4080 - 8" x 8" Stainless Steel Fabricated Floor Sink with Radiused inside Sump 24

P4120 - 12"x12" Stainless Steel Fabricated Floor Sink with Radiused inside Sump 25

P5000 - Stainless Steel Kettle Drain..... 26, 27

P6012 - 1 ½" Wide, Stainless Steel Body and Grate System 5

P6030 - 3" Wide, Stainless Steel Body and Grate System 6

P6060 - 6" Wide, Stainless Steel Body and Grate System 7

P6120 - 12" Wide, Stainless Steel Body and Grate System 8

P6150 - 1 ½" Wide, Stainless Steel Frame and Grate System 9

P6230 - 3" Wide, Stainless Steel Frame and Grate System 10

P6260 - 6" Wide, 1Stainless Steel Frame and Grate System 11

P6290 - 12" Wide, Stainless Steel Frame and Grate System 12

P6325 - 2" Deep, 3.10" Wide, Stainless Steel Slot Drain with ¾" Slot Opening 2

P6335 - 2 ½" Deep, 3.10" Wide, Stainless Steel Slot Drain with ¾" Slot Opening 3

P6345 - 3 ½" Deep, 3.10" Wide, Stainless Steel Slot Drain with ¾" Wide Slot Opening 4

P6400 - Heavy Duty Stainless Steel Subway Bar, Grate and Frame 28

P7040 / P7060 - Stainless Steel Fabricated Cleanout..... 29

P8100 / P8200 - Stainless Steel Fabricated Downspout Boot..... 30

P8400 - Stainless Steel Fabricated Washing Machine Box 31

P9000 - 2 7/8" Wide, Stainless Steel Linear Shower Drain with Square Hole Grate Pattern and Flanged Bottom Outlet 32

P9000-FL - 2 1/2" Wide, Stainless Steel Linear Shower Drain with Anchor Flange and Square Hole Grate Pattern..... 33

P9000-CFL - 2 1/2" Wide, Stainless Steel Linear Shower Drain with Anchor Flange, Square Hole Grate Pattern and Flanged Bottom Outlet..... 34

P9000-FL-SO - 2 1/2" Wide, Stainless Steel Linear Shower Drain with Anchor Flange, Square Hole Grate Pattern and Side Outlet.... 35

P9000-TI-FL - 2 1/2" Wide, Stainless Steel Linear Shower Drain with Anchor Flange, Tile Insert and Flanged Bottom Outlet..... 36

P9000-TI-CFL - 2 1/2" Wide, Stainless Steel Linear Shower Drain with Anchor Flange and Tile Insert 37

P9000-TI - 2 7/8" Wide, Stainless Steel Linear Shower Drain with Tile Insert and Flanged Bottom Outlet..... 38

P9000-TI-SO - 2 1/2" Wide, Stainless Steel Linear Shower Drain with Anchor Flange, Tile Insert and Side Outlet 39

P9000-FL-SO and **P9000-TI-SO** - Installation Detail 40

P9000-FL, P9000-TI-CFL - Installation Detail with modern waterproofing 40

P9000 and **P9000-TI** - Installation Detail with standard waterproofing & standard wall conditions 40

P9000-CFL and **P9000-TI-FL** - Double waterproofing installation detail. Liquid / fabric and standard waterproofing with clamping floor drain. 41

P9000 and **P9000-TI** - Installation Detail with standard waterproofing to accomodate threshold in shower..... 41

GRATE LOAD CLASS DEFINITIONS..... 1

CATCH BASINS - For P6060 and P6120 Series of Stainless Steel Trench Drains 13-14

OPTIONAL 1 ½" WIDE GRATE DESIGNS for P6012 and P6150..... 15

OPTIONAL 3" WIDE GRATE DESIGNS for P6030 and P6230..... 15






OPTIONAL 6" WIDE GRATE DESIGNS for P6060 and P6260..... 16







OPTIONAL 12" WIDE GRATE DESIGNS for P6120 and P6290..... 16

TERMS AND WARRANTIES..... 32

Grate Load Class Definitions

There are two main grate definitions in the trench drain industry to help specifiers select the appropriate grate: ANSI A112.21.1M and DIN 19580.

ANSI A112.21.1M		
Grates and top rims shall be designed to meet the following loading classifications in a static condition.		
	Light Duty	All grates having safe live load (as calculated in paragraph 6.1.6 of the ANSI Standard) under 2,000 lbs. (900 kg.) For pedestrian foot traffic only.
	Medium Duty	All grates having safe live load (as calculated in paragraph 6.1.6 of the ANSI Standard) between 2,000 lbs. (900 kg.) and 4,999 lbs. (2,250 kg.) For light pneumatic tire traffic only. Sidewalks and residential parking.
	Heavy Duty	All grates having safe live load (as calculated in paragraph 6.1.6 of the ANSI Standard) between 5,000 lbs. (2,250 kg.) and 7,499 lbs. (3,375 kg.) For Commercial Pneumatic tire traffic patterns and tractor trailers.
	Extra Heavy Duty	All grates having safe live load (as calculated in paragraph 6.1.6 of the ANSI Standard) between 7,500 lbs. (3,375 kg.) and 10,000 lbs. (4,500 kg.) For forklift traffic. Roads and Highways. H-20 Load Rated.
	Special Duty	All grates having safe live load (as calculated in paragraph 6.1.6 of the ANSI Standard) over 10,000 lbs. (4,500 kg.) For airport traffic.

DIN 19580		
Grates and top rims shall be designed to meet the following loading classifications in a static condition.		
	Load Class A	Light Duty Grate design load up to or exceeding 3,372 lbs per foot. (15 kn). For pedestrian foot traffic only.
	Load Class B	Medium Duty Grate design load of at least 28,100 lbs per foot. (125 kn). For light pneumatic tire traffic only. Sidewalks and residential parking.
	Load Class C	Heavy Duty Grate design load of at least 56,200 lbs per foot. (250 kn). Commercial Applications.
	Load Class D	Grate design load of at least 89,920 lbs per foot. (400 kn). For pneumatic forklift traffic. Extra Heavy Duty. Roads and Highways. H-20 Load Rated.
	Load Class E	Grate design load of at least 134,800 lbs per foot. (600 kn). For Commercial Solid tire traffic patterns, and impacts from steel struts or metal wheels (forklifts). Extreme Heavy Duty.
	Load Class F	Grate design load of at least 202,320 lbs per foot. (900 kn). For airport traffic.

Transportation Classifications

The American Association of State Highway and Transportation Officials' (AASHTO) "Standard Specification for Highway Bridges" defines H-20 loading as a two-axle truck with a maximum dual-wheel load of 16,000 lbs. **H-20 loading is defined as a tractor truck with a tandem axle semi-trailer with a dual-wheel load of 16,000 lbs.**

The FAA (Federal Aviation Administration) Advisory Circular AC 150/5320-6D describes aircraft loading as 100,000 lbs. placed over a 9" x 9" area.

The Americans with Disabilities Act (ADA) stipulates that the slot width be limited to 1/2" or less on gratings in walkways and elongated slots must be placed longitudinally so that they are perpendicular to the dominant direction of travel.

Heel Proof is defined as slots or perforations that are less than 1/4" in width or diameter.

The maximum safe live load is calculated by dividing the load at failure by two.

P6325 - 2" Deep, 3.10" Wide, Stainless Steel Slot Drain with 3/4" Slot Opening

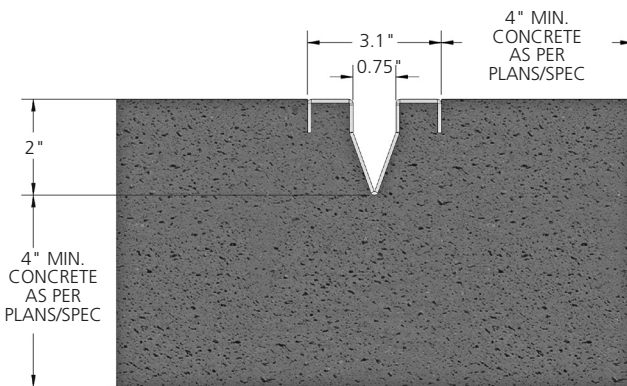
SPECIFICATION:

MIFAB® Series P6325, 3.10" wide, 2" deep, 16 gauge fabricated Type 304 stainless steel presloped slot drain (1/8" per foot) with 3/4" wide opening and anchor tabs. Bodies have flanged ends to connect to each other with a neoprene rubber gasket in between. End outlets are available in 2" no hub outlet connections and fabricated as part of the trench drain system.

FUNCTION:

Used in kitchens, food processing and other sanitary areas that require a narrow opening to collect wastewater. Stainless steel construction provides an anti - microbial finish.

Note: The neoprene gasket used to connect long runs of trench drain bodies is not recommended for use with caustic or harsh chemicals. In these cases, it is recommended that the trench drain sections be welded on site.



Specifying engineer is responsible for concrete encasement and reinforcing based upon application and local codes.

Note: Every order of this product is a special / custom order fabrication. This product is non returnable and noncancellable.



MODEL NUMBER	DESCRIPTION	LIST PRICE, per 12"
P6325	2" Deep, 2.80" wide, Type 304 Stainless Steel Slot Drain with 3/4" Slot Opening	\$300.00
P6325-29	2" Deep, 2.80" wide, Type 316 Stainless Steel Slot Drain with 3/4" Slot Opening	\$360.00

OPTIONAL VARIATIONS	DESCRIPTION	LIST PRICE
Length	Specify the length that is required	P.O.A.

P6335 - 2 1/2" Deep, 3.10" Wide, Stainless Steel Slot Drain with 3/4" Slot Opening

SPECIFICATION:

MIFAB® Series TP6335, 3.10" wide, 2 1/2" deep, 16 gauge fabricated Type 304 stainless steel presloped slot drain (1/8" per foot) with 3/4" wide opening and anchor tabs. Bodies have flanged ends to connect to each other with a neoprene rubber gasket in between. End outlets are available in 2" no hub outlet connections and fabricated as part of the trench drain system.

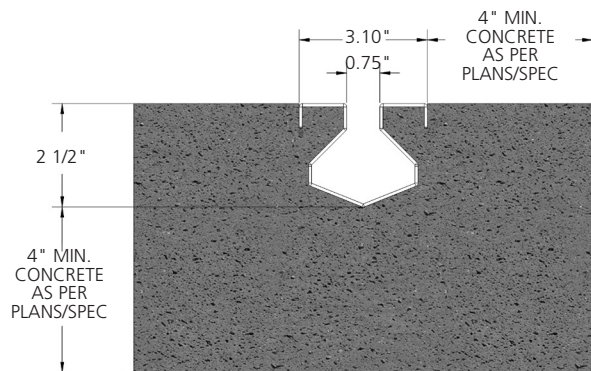
FUNCTION:

Used in kitchens, food processing and other sanitary areas that require a narrow opening to collect wastewater. Stainless steel construction provides an anti - microbial finish.

Note: The neoprene gasket used to connect long runs of trench drain bodies is not recommended for use with caustic or harsh chemicals. In these cases, it is recommended that the trench drain sections be welded on site.



Note: Every order of this product is a special / custom order fabrication. This product is non returnable and noncancellable.



Specifying engineer is responsible for concrete encasement and reinforcing based upon application and local codes.

MODEL NUMBER	DESCRIPTION	LIST PRICE, per 12"
P6335	2 1/2" Deep, 3.10" wide, Type 304 Stainless Steel Slot Drain with 3/4" Slot Opening	\$360.00
P6335-29	2 1/2" Deep, 3.10" wide, Type 316 Stainless Steel Slot Drain with 3/4" Slot Opening	\$470.00

OPTIONAL VARIATIONS	DESCRIPTION	LIST PRICE
Length	Specify the length that is required	P.O.A.

P6345 - 3 1/2" Deep, 3.10" Wide, Stainless Steel Slot Drain with 3/4" Wide Slot Opening

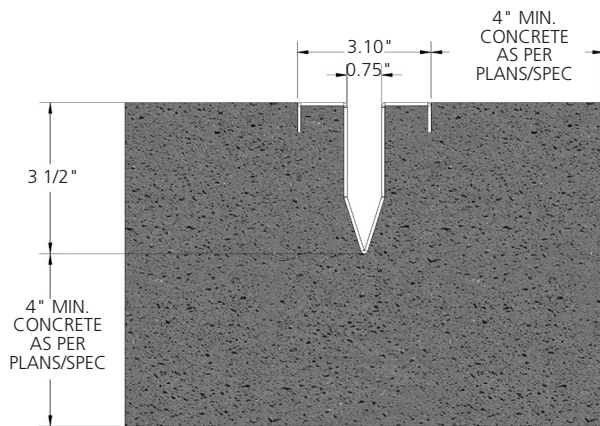
SPECIFICATION:

MIFAB® Series P6345, 3.10" wide, 3 1/2" deep, 16 gauge fabricated Type 304 stainless steel presloped slot drain (1/8" per foot) with 3/4" wide opening and anchor tabs. Bodies have flanged ends to connect to each other with a neoprene rubber gasket in between. End outlets are available in 2" no hub outlet connections and fabricated as part of the trench drain system.

FUNCTION:

Used in kitchens, food processing and other sanitary areas that require a narrow opening to collect wastewater. Stainless steel construction provides an anti - microbial finish.

Note: The neoprene gasket used to connect long runs of trench drain bodies is not recommended for use with caustic or harsh chemicals. In these cases, it is recommended that the trench drain sections be welded on site.



Specifying engineer is responsible for concrete encasement and reinforcing based upon application and local codes.

Note: Every order of this product is a special / custom order fabrication. This product is non returnable and noncancellable.



MODEL NUMBER	DESCRIPTION	LIST PRICE, per 12"
P6345	3 1/2" Deep, 3.10" wide, Type 304 Stainless Steel Slot Drain with 3/4" Slot Opening	\$360.00
P6345-29	3 1/2" Deep, 3.10" wide, Type 316 Stainless Steel Slot Drain with 3/4" Slot Opening	\$470.00

OPTIONAL VARIATIONS	DESCRIPTION	LIST PRICE
Length	Specify the length that is required	P.O.A.

P6012 - 1 1/2" Wide, Stainless Steel Body and Grate System

SPECIFICATION:

MIFAB® Series P6012, 1 1/2" wide, 16 gauge fabricated Type 304 stainless steel presloped trench drain (1/8" per foot) with slotted Load Class "A" Light duty stainless steel ADA compliant grates. Free area of 2.0 square inches per 1' section. Square bottom bodies have flanged ends to connect to each other with a neoprene rubber gasket in between. Bottom and end outlets are available in 1 1/2" or 2" no hub outlet connections (Specify outlet size) and fabricated as part of the trench drain system. Also available with B, C, D and E load rated stainless steel grates and optional anchor flange (Suffix -FL).

FUNCTION:

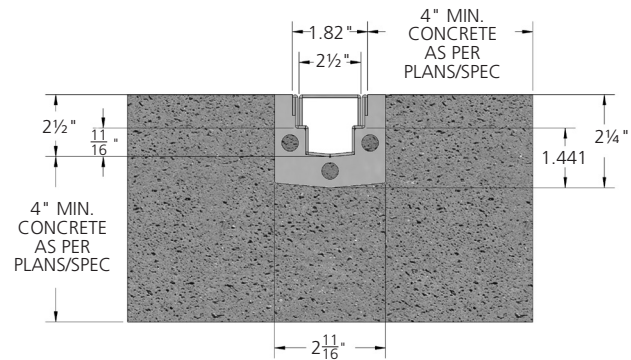
Used in front of walk in coolers, barrier free showers and industrial, commercial, kitchen and other areas. Type 304 stainless steel construction provides for ease of cleaning, maintenance and sanitary installation. The inside of the body is manufactured without any overlapping material to ensure that bacteria does not have a place to grow. All grate openings are polished to a smooth finish.

Note: The neoprene gasket used to connect long runs of trench drain bodies is not recommended for use with caustic or harsh chemicals. In these cases, it is recommended that the trench drain sections be welded on site.



(Illustrated with Optional -FL Anchor Flange and Optional -LS grate)

Note: Every order of this product is a special / custom order fabrication. This product is non returnable and noncancellable.



Specifying engineer is responsible for concrete encasement and reinforcing based upon application and local codes.

See pages 15 and 16 for the optional grate designs.

MODEL NUMBER	DESCRIPTION	LIST PRICE, per 12"
P6012	1 1/2" wide, Type 304 Stainless Steel Trench Drain Body and Grate System (Load Class "A", "Light Duty" ADA compliant grates).	\$525.00
P6012-29	1 1/2" wide, Type 316 Stainless Steel Trench Drain Body and Grate System (Load Class "A", "Light Duty" ADA compliant grates).	\$660.00

OPTIONAL VARIATIONS	DESCRIPTION	LIST PRICE, TYPE 304 STAINLESS STEEL	LIST PRICE, TYPE 316 STAINLESS STEEL
-C	Membrane Clamp	\$100.00, per 12"	\$135.00, per 12"
-EO	For a 1 1/2" end outlet add Suffix -150-EO to the model #. Eg. P6012-150-EO. For a 2" end outlet add Suffix -EO to the model #. Eg. P6012-EO.	\$75.00 \$85.00	\$100.00 \$110.00
-FL	Anchor Flange (Instead of Anchor Tabs)	\$175.00, per 12"	\$225.00, per 12"
-LCB	Load Class "B", Medium Duty Grate (2,000 - 4,999 lbs.)	\$80.00, per 12"	\$105.00, per 12"
-LCC	Load Class "C", Heavy Duty Grate (5,000 - 7,499 lbs.)	\$140.00, per 12"	\$180.00, per 12"
-LCD	Load Class "D", Extra Heavy Duty Grate (7,500 - 10,000 lbs.)	\$200.00, per 12"	\$260.00, per 12"
-LCE	Load Class "E", Special Duty Grate (over 10,000 lbs.)	\$260.00, per 12"	\$340.00, per 12"
Length	Specify the length that is required	Specify	Specify
-LS	Longitudinal Slotted Grate (ADA Compliant)	No Add	No Add
-NS	Slip Resistant Grate (Non slip grit finish)	\$80.00, per 12"	\$105.00, per 12"
P	Push on outlet	\$50.00	\$70.00
-PG	Perforated Grate (1/4" diameter holes)	No Add	No Add
-PHP	Perforated "Heel Proof Grate" (less than 1/4" diameter perforations)	No Add	No Add
-SHP	Slotted "Heel Proof" Grate (less than 1/4" wide slots)	No Add	No Add
T	Threaded outlet	\$50.00	\$70.00
X	Inside caulk outlet	\$50.00	\$70.00
-5	Sediment Bucket	\$100.00	\$130.00
-6	Vandal Resistant Grate	\$200.00	\$200.00
-7MG	MI-GARD trap seal protection device (available for 2", 3" and 4" outlet connections)	\$80.00	\$80.00
-90	90 Degree Section	\$250.00	\$325.00

Note: A 2" No Hub bottom outlet is standard. For a 1 1/2" no hub bottom outlet connection, specify Suffix -150 after the model #. Eg. P6012-150.

P6030 - 3" Wide, Stainless Steel Body and Grate System

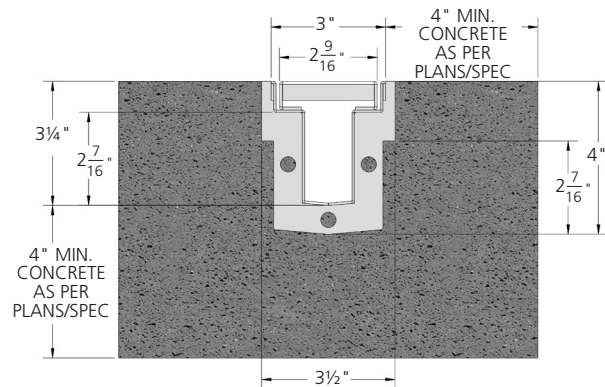
SPECIFICATION:

MIFAB® Series P6030, 3" wide, 16 gauge fabricated Type 304 stainless steel presloped trench drain (1/8" per foot) with slotted Load Class "A" Light duty stainless steel ADA compliant grates. Free area of 5.25 square inches per 1' section. Square bottom bodies have flanged ends to connect to each other with a neoprene rubber gasket in between. Bottom and end outlets are available in 1 1/2" or 2" no hub outlet connections (specify outlet size) and fabricated as part of the trench drain system. Also available with B, C, D and E load rated stainless steel grates and optional anchor flange (Suffix -FL).

FUNCTION:

Used in front of walk in coolers, barrier free showers and industrial, commercial, kitchen and other hygienic areas. Type 304 stainless steel construction provides for ease of cleaning, maintenance and sanitary installation. The inside of the body is manufactured without any overlapping material to ensure that bacteria does not have a place to grow. All grate openings are polished to a smooth finish.

Note: Every order of this product is a special / custom order fabrication. This product is non returnable and noncancellable.



Specifying engineer is responsible for concrete encasement and reinforcing based upon application and local codes.

Note: The neoprene gasket used to connect long runs of trench drain bodies is not recommended for use with caustic or harsh chemicals. In these cases, it is recommended that the trench drain sections be welded on site.



(Illustrated with Optional -FL Anchor Flange)

See pages 15 and 16 for the optional grate designs. The P6030-LCB is NSF certified with a load classification of Medium Duty.

MODEL NUMBER	DESCRIPTION	LIST PRICE, per 12"
P6030	3" wide, Type 304 Stainless Steel Trench Drain Body and Grate System (Load Class "A", "Light Duty" ADA compliant grates).	\$560.00
P6030-29	3" wide, Type 316 Stainless Steel Trench Drain Body and Grate System (Load Class "A", "Light Duty" ADA compliant grates).	\$725.00

OPTIONAL VARIATIONS	DESCRIPTION	LIST PRICE, TYPE 304 STAINLESS STEEL	LIST PRICE, TYPE 316 STAINLESS STEEL
-C	Membrane Clamp	\$125.00, per 12"	\$165.00, per 12"
-EO	For a 1 1/2" end outlet add Suffix -150-EO to the model #. Eg. P6030-150-EO.	\$75.00	\$100.00
	For a 2" end outlet add Suffix -EO to the model #. Eg. P6030-EO.	\$85.00	\$110.00
-FL	Anchor Flange (Instead of Anchor Tabs)	\$185.00, per 12"	\$235.00, per 12"
-LCB	Load Class "B", Medium Duty Grate (2,000 - 4,999 lbs.)	\$160.00, per 12"	\$210.00, per 12"
-LCC	Load Class "C", Heavy Duty Grate (5,000 - 7,499 lbs.)	\$250.00, per 12"	\$325.00, per 12"
-LCD	Load Class "D", Extra Heavy Duty Grate (7,500 - 10,000 lbs.)	\$320.00, per 12"	\$415.00, per 12"
-LCE	Load Class "E", Special Duty Grate (over 10,000 lbs.)	\$400.00, per 12"	\$520.00, per 12"
Length	Specify the length that is required	Specify	Specify
-LS	Longitudinal Slotted Grate (ADA Compliant)	No Add	No Add
-NS	Slip Resistant Grate (Non slip grit finish)	\$80.00, per 12"	\$105.00, per 12"
P	Push on outlet	\$50.00	\$70.00
-PG	Perforated Grate (1/4" diameter holes)	No Add	No Add
-PHP	Perforated "Heel Proof Grate" (less than 1/4" diameter perforations)	No Add	No Add
-SHP	Slotted "Heel Proof" Grate (less than 1/4" wide slots)	No Add	No Add
T	Threaded outlet	\$50.00	\$70.00
X	Inside caulk outlet	\$50.00	\$70.00
-5	Sediment Bucket	\$120.00	\$155.00
-6	Vandal Resistant Grate	\$200.00	\$200.00
-7MG	MI-GARD trap seal protection device (available for 2", 3" and 4" outlet connections)	\$80.00	\$80.00
-90	90 Degree Section	\$275.00	\$360.00

Note: A 2" No Hub bottom outlet is standard. For a 1 1/2" no hub bottom outlet connection, specify Suffix -150 after the model #. Eg. P6030-150.

Design and dimensions are subject to modification. Prices do not include applicable taxes.

Visit www.mifab.com for the most recent product information.

MIFAB®, Inc., 1321 West 119th Street, Chicago, Illinois 60643-5109, USA

Toll Free: 1-800-465-2736, Fax: 1-773-341-3049
 sales@mifab.com Canada Toll Free: 1-800-387-3880

All sales subject to MIFAB's® Terms and Warranties. Please refer to inside back cover.

P6060 - 6" Wide, Stainless Steel Body and Grate System

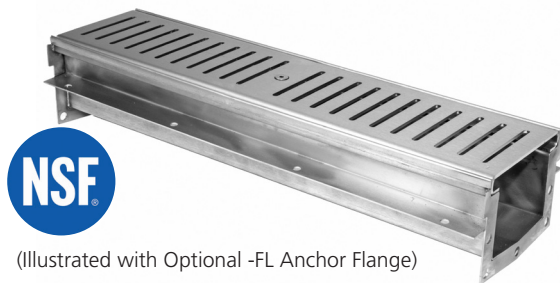
SPECIFICATION:

MIFAB® Series P6060, 6" wide, 16 gauge fabricated Type 304 stainless steel presloped trench drain (1/8" per foot) with slotted Load Class "A" Light duty stainless steel ADA compliant grates. Free area of 10.00 square inches per 1' section. Square bottom bodies have flanged ends to connect to each other with a neoprene rubber gasket in between. Bottom and end outlets are available in 2", 3" or 4" no hub outlet connections (specify outlet size) and fabricated as part of the trench drain system. Also available with B, C, D and E load rated stainless steel grates and optional anchor anchor flange (Suffix -FL).

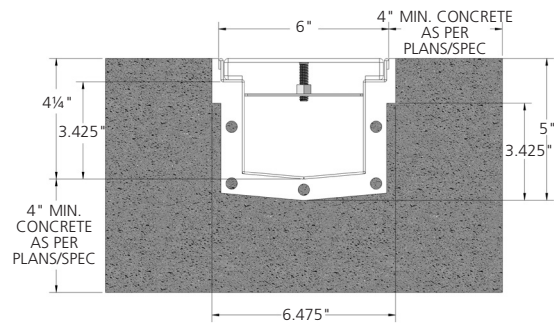
FUNCTION:

Used in industrial, commercial, kitchen and other hygienic areas. Type 304 stainless steel construction provides for ease of cleaning, maintenance and sanitary installation. The inside of the body is manufactured without any overlapping material to ensure that bacteria does not have a place to grow. All grate openings are polished to a smooth finish.

Note: The neoprene gasket used to connect long runs of trench drain bodies is not recommended for use with caustic or harsh chemicals. In these cases, it is recommended that the trench drain sections be welded on site.



Note: Every order of this product is a special / custom order fabrication. This product is non returnable and noncancellable.



See pages 15 and 16 for the optional grate designs. The P6060-LCB is NSF certified with a load classification of Medium Duty.

MODEL NUMBER	DESCRIPTION	LIST PRICE, per 12"
P6060	6" wide, Type 304 Stainless Steel Trench Drain Body and Grate System (Load Class "A", "Light Duty" ADA compliant grates)	\$690.00
P6060-29	6" wide, Type 316 Stainless Steel Trench Drain Body and Grate System (Load Class "A", "Light Duty" ADA compliant grates)	\$865.00

OPTIONAL VARIATIONS	DESCRIPTION	LIST PRICE, TYPE 304 STAINLESS STEEL	LIST PRICE, TYPE 316 STAINLESS STEEL
-C	Membrane Clamp	\$175.00, per 12"	\$225.00, per 12"
-EO	Put 2, 3 or 4 in the last of the four digits of the model # to indicate the end outlet connection size and add suffix -EO. Eg. P6064-EO for a 4" end outlet.	2"- \$85.00	2"- \$110.00
		3"- \$95.00	3"- \$120.00
		4"- \$105.00	4"- \$130.00
-FL	Anchor Flange (Instead of Anchor Tabs)	\$195.00, per 12"	\$250.00, per 12"
-LCB	Load Class "B", Medium Duty Grate (2,000 - 4,999 lbs.)	\$160.00, per 12"	\$210.00, per 12"
-LCC	Load Class "C", Heavy Duty Grate (5,000 - 7,499 lbs.)	\$250.00, per 12"	\$325.00, per 12"
-LCD	Load Class "D", Extra Heavy Duty Grate (7,500 - 10,000 lbs.)	\$400.00, per 12"	\$525.00, per 12"
-LCE	Load Class "E", Special Duty Grate (over 10,000 lbs.)	\$500.00, per 12"	\$700.00, per 12"
Length	Specify the length that is required	Specify	Specify
-LS	Longitudinal Slotted Grate (ADA Compliant)	No Add	No Add
-NS	Slip Resistant Grate (Non slip grit finish)	\$120.00, per 12"	\$160.00, per 12"
P	Push on outlet	\$50.00	\$70.00
-PG	Perforated Grate (1/4" diameter holes)	No Add	No Add
-PHP	Perforated "Heel Proof Grate" (less than 1/4" diameter perforations)	No Add	No Add
-RSC	Rounded Inside Bottom Corners	\$100.00	\$140.00
-SHP	Slotted "Heel Proof" Grate (less than 1/4" wide slots)	No Add	No Add
T	Threaded outlet	\$50.00	\$70.00
X	Inside caulk outlet	\$50.00	\$70.00
-5	Sediment Bucket	\$150.00	\$195.00
-6	Vandal Resistant Grate	\$200.00	\$200.00
-7MG	MI-GARD trap seal protection device (available for 2", 3" & 4" outlet connections)	\$80.00	\$80.00
-90	90 Degree Section	\$400.00	\$520.00

Note: No hub bottom outlet connections are standard. Specify 2, 3, 4 or 6 in the last of the four digit model number to indicate the bottom no hub outlet size. For the 6" bottom outlet size, please add \$75.00 for Type 304 and \$100.00 for Type 316 stainless steel. Eg. 4" no hub bottom outlet would be model # P6064.

P6120 - 12" Wide, Stainless Steel Body and Grate System

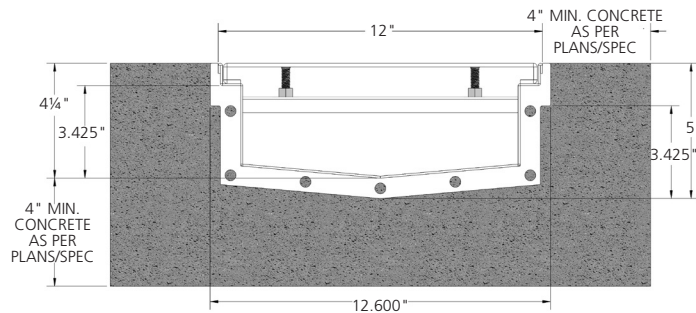
SPECIFICATION:

MIFAB® Series P6120, 12" wide, 16 gauge fabricated Type 304 stainless steel presloped trench drain (1/8" per foot) with slotted, Load Class "A" Light duty stainless steel ADA compliant grates. Free area of 23.00 square inches per 1' section. Square bottom bodies have flanged ends to connect to each other with a neoprene rubber gasket in between. Bottom and end outlets are available in 3", 4" 6" or 8" no hub outlet connections (specify outlet size) and fabricated as part of the trench drain system. Also available with B, C, and D load rated stainless steel grates and optional anchor flange (Suffix -FL).

FUNCTION:

Used in laboratory, industrial, commercial, kitchen and other hygienic areas. Type 304 stainless steel construction provides for ease of cleaning, maintenance and sanitary installation. The inside of the body is manufactured without any overlapping material to ensure that bacteria does not have a place to grow. All grate openings are polished to a smooth finish.

Note: Every order of this product is a special / custom order fabrication. This product is non returnable and noncancellable.



Specifying engineer is responsible for concrete encasement and reinforcing based upon application & local codes.

Note: The neoprene gasket used to connect long runs of trench drain bodies is not recommended for use with caustic or harsh chemicals. In these cases, it is recommended that the trench drain sections be welded on site.



(Illustrated with Optional -FL Anchor Flange)

See pages 15 and 16 for the optional grate designs. The P6120-LCB is NSF certified with a load classification of Medium Duty.

MODEL NUMBER	DESCRIPTION	LIST PRICE, per 12"
P6120	12" wide, Type 304 Stainless Steel Trench Drain Body and Grate System (Load Class "A", Light Duty) ADA compliant grates)	\$850.00
P6120-29	12" wide, Type 316 Stainless Steel Trench Drain Body and Grate System (Load Class "A", Light Duty) ADA compliant grates)	\$1,095.00

OPTIONAL VARIATIONS	DESCRIPTION	LIST PRICE, TYPE 304 STAINLESS STEEL	LIST PRICE, TYPE 316 STAINLESS STEEL
-5	Sediment Bucket	\$250.00	\$325.00
-C	Membrane Clamp	\$200.00, per 12"	\$260.00, per 12"
-EO	Put 3, 4, 6 or 8 in the last of the four digits of the model # to indicate the end outlet connection size and add suffix -EO. Eg. P6124-EO for a 4" end outlet.	3"- \$95.00	3"- \$120.00
		4"- \$105.00	4"- \$130.00
		6"- \$115.00	6"- \$150.00
		8"- \$125.00	8"- \$160.00
-FL	Anchor Flange (Instead of Anchor Tabs)	\$200.00, per 12"	\$260.00, per 12"
-LCB	Load Class "B", Medium Duty Grate (2,000 - 4,999 lbs.)	\$440.00, per 12"	\$570.00, per 12"
-LCC	Load Class "C", Heavy Duty Grate (5,000 - 7,499 lbs.)	\$500.00, per 12"	\$650.00, per 12"
-LCD	Load Class "D", Extra Heavy Duty Grate (7,500 - 10,000 lbs.)	\$600.00, per 12"	\$780.00, per 12"
Length	Specify the length that is required	Specify	Specify
-LS	Longitudinal Slotted Grate (ADA Compliant)	No Add	No Add
-NS	Slip Resistant Grate (Non slip grit finish)	\$240.00, per 12"	\$310.00, per 12"
P	Push on outlet	\$50.00	\$70.00
-PG	Perforated Grate (1/4" diameter holes)	No Add	No Add
-PHP	Perforated "Heel Proof Grate" (less than 1/4" diameter perforations)	No Add	No Add
-RSC	Rounded Inside Bottom Corners	\$100.00	\$140.00
-SHP	Slotted "Heel Proof" Grate (less than 1/4" wide slots)	No Add	No Add
T	Threaded outlet	\$50.00	\$70.00
X	Inside caulk outlet	\$50.00	\$70.00
-6	Vandal Resistant Grate	\$200.00	\$200.00
-7MG	MI-GARD trap seal protection device (available for 2", 3" & 4" outlet connections)	\$80.00	\$80.00
-90	90 Degree Section	\$500.00	\$650.00

Note: No hub bottom outlet connections are standard. Specify 3, 4, 6 or 8 in the last of the four digit model number to indicate the bottom no hub outlet size. For the 6" bottom outlet size, please add \$75.00 for Type 304 and \$100.00 for Type 316 stainless steel. For the 8" bottom outlet size, please add \$100.00 for Type 304 and \$130.00 for Type 316 stainless steel. Eg. 4" no hub bottom outlet would be model # P6124.

P6150 - 1 1/2" Wide, Stainless Steel Frame and Grate System

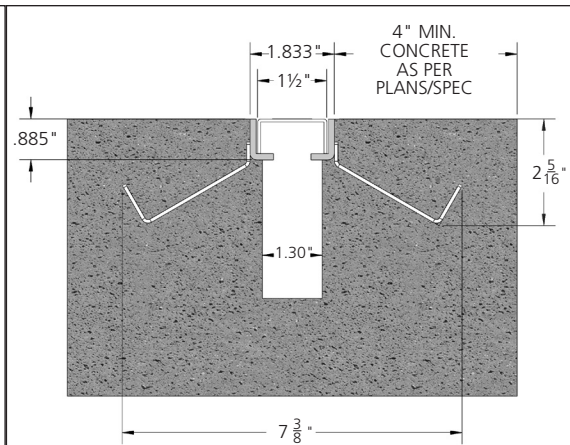
SPECIFICATION:

MIFAB® Series P6150, 1 1/2" wide, Load Class "A" Light duty slotted trench drain ADA compliant grate constructed of Type 304 stainless steel with 10 gauge stainless steel angle frame and anchor tabs. Free area of 2.0 square inches per 1' section. Also available with B, C, D and E load rated stainless steel grates and optional anchor flange (Suffix -FL).

FUNCTION:

Used in front of walk in coolers, barrier free showers and industrial, commercial, kitchen and other hygienic areas. Type 304 stainless steel construction provides for ease of cleaning, maintenance and sanitary installation. All grate openings are polished to a smooth finish.

Note: Every order of this product is a special / custom order fabrication. This product is non returnable and noncancellable.



Specifying engineer is responsible for concrete encasement and reinforcing based upon application and local codes.

See pages 15 and 16 for the optional grate designs.

MODEL NUMBER	DESCRIPTION	LIST PRICE, per 12"
P6150	1 1/2" wide, Type 304 Stainless Steel Frame and Grate System (Load Class "A", "Light Duty" ADA compliant grates)	\$320.00
P6150-29	1 1/2" wide, Type 316 Stainless Steel Frame and Grate System (Load Class "A", "Light Duty" ADA compliant grates)	\$430.00

OPTIONAL VARIATIONS	DESCRIPTION	LIST PRICE, TYPE 304 STAINLESS STEEL	LIST PRICE, TYPE 316 STAINLESS STEEL
Length	Specify the length that is required	Specify	Specify
-LCB	Load Class "B", Medium Duty Grate (2,000 - 4,999 lbs.)	\$80.00, per 12"	\$105.00, per 12"
-LCC	Load Class "C", Heavy Duty Grate (5,000 - 7,499 lbs.)	\$140.00, per 12"	\$180.00, per 12"
-LCD	Load Class "D", Extra Heavy Duty Grate (7,500 - 10,000 lbs.)	\$200.00, per 12"	\$260.00, per 12"
-LCE	Load Class "E", Special Duty Grate (over 10,000 lbs.)	\$260.00, per 12"	\$340.00, per 12"
-LS	Longitudinal Slotted Grate (ADA Compliant)	No Add	No Add
-NS	Slip Resistant Grate (Non slip grit finish)	\$80.00, per 12"	\$105.00, per 12"
-PG	Perforated Grate (1/4" diameter holes)	No Add	No Add
-PHP	Perforated "Heel Proof Grate" (less than 1/4" diameter perforations)	No Add	No Add
-SHP	Slotted "Heel Proof" Grate (less than 1/4" wide slots)	No Add	No Add
-6	Vandal Resistant Grate	\$200.00	\$200.00
-90	90 Degree Section	\$250.00	\$325.00

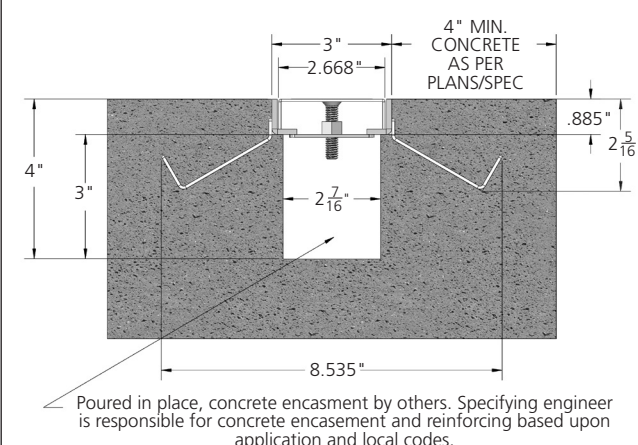
P6230 - 3" Wide, Stainless Steel Frame and Grate System

SPECIFICATION:


MIFAB® Series P6230, 3" wide, Load Class "A" Light duty slotted trench drain ADA compliant grate constructed of Type 304 stainless steel with 10 gauge stainless steel angle frame and anchor tabs. Free area of 5.25 square inches per 1' section. Also available with B, C, D and E load rated stainless steel grates and optional anchor flange (Suffix -FL).

FUNCTION:

Used in front of walk in coolers, barrier free showers and industrial, commercial, kitchen and other hygienic areas. Type 304 stainless steel construction provides for ease of cleaning, maintenance and sanitary installation. All grate openings are polished to a smooth finish.



Note: Every order of this product is a special / custom order fabrication. This product is non returnable and noncancellable.



See pages 15 and 16 for the optional grate designs.

MODEL NUMBER	DESCRIPTION	LIST PRICE, per 12"
P6230	3" wide, Type 304 Stainless Steel Frame and Grate System (Load Class "A", "Light Duty" ADA compliant grates)	\$385.00
P6230-29	3" wide, Type 316 Stainless Steel Frame and Grate System (Load Class "A", "Light Duty" ADA compliant grates)	\$510.00

OPTIONAL VARIATIONS	DESCRIPTION	LIST PRICE, TYPE 304 STAINLESS STEEL	LIST PRICE, TYPE 316 STAINLESS STEEL
Length	Specify the length that is required	Specify	Specify
-LCB	Load Class "B", Medium Duty Grate (2,000 - 4,999 lbs.)	\$160.00, per 12"	\$210.00, per 12"
-LCC	Load Class "C", Heavy Duty Grate (5,000 - 7,499 lbs.)	\$250.00, per 12"	\$325.00, per 12"
-LCD	Load Class "D", Extra Heavy Duty Grate (7,500 - 10,000 lbs.)	\$320.00, per 12"	\$415.00, per 12"
-LCE	Load Class "E", Special Duty Grate (over 10,000 lbs.)	\$400.00, per 12"	\$520.00, per 12"
-LS	Longitudinal Slotted Grate (ADA Compliant)	No Add	No Add
-NS	Slip Resistant Grate (Non slip grit finish)	\$80.00, per 12"	\$105.00, per 12"
-PG	Perforated Grate (1/4" diameter holes)	No Add	No Add
-PHP	Perforated "Heel Proof Grate" (less than 1/4" diameter perforations)	No Add	No Add
-SHP	Slotted "Heel Proof" Grate (less than 1/4" wide slots)	No Add	No Add
-6	Vandal Resistant Grate	\$200.00	\$200.00
-90	90 Degree Section	\$275.00	\$360.00

Design and dimensions are subject to modification. Prices do not include applicable taxes.

Visit www.mifab.com for the most recent product information.

MIFAB®, Inc., 1321 West 119th Street, Chicago, Illinois 60643-5109, USA

All sales subject to MIFAB's® Terms and Warranties. Please refer to inside back cover.

Toll Free: 1-800-465-2736, Fax: 1-773-341-3049
 sales@mifab.com Canada Toll Free: 1-800-387-3880

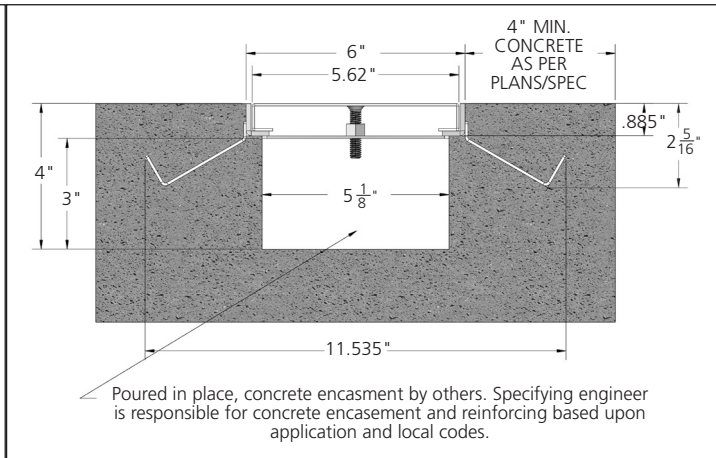
P6260 - 6" Wide, Stainless Steel Frame and Grate System

SPECIFICATION:

MIFAB® Series P6260, 6" wide, Load Class "A" Light duty slotted trench drain ADA compliant grate constructed of Type 304 stainless steel with 10 gauge stainless steel angle frame and anchor tabs. Free area of 10.00 square inches per 1' section. Also available with B, C, D and E load rated stainless steel grates and optional anchor flange (Suffix -FL).

FUNCTION:

Used in industrial, commercial, kitchen and other hygienic areas. Type 304 stainless steel construction provides for ease of cleaning, maintenance and sanitary installation. All grate openings are polished to a smooth finish.



See pages 15 and 16 for the optional grate designs.

MODEL NUMBER	DESCRIPTION	LIST PRICE, per 12"
P6260	6" wide, Type 304 Stainless Steel Frame and Grate System (Load Class "A", "Light Duty" ADA compliant grates)	\$490.00
P6260-29	6" wide, Type 316 Stainless Steel Frame and Grate System (Load Class "A", "Light Duty" ADA compliant grates)	\$620.00

OPTIONAL VARIATIONS	DESCRIPTION	LIST PRICE, TYPE 304 STAINLESS STEEL	LIST PRICE, TYPE 316 STAINLESS STEEL
Length	Specify the length that is required	Specify	Specify
-LCB	Load Class "B", Medium Duty Grate (2,000 - 4,999 lbs.)	\$160.00, per 12"	\$210.00, per 12"
-LCC	Load Class "C", Heavy Duty Grate (5,000 - 7,499 lbs.)	\$250.00, per 12"	\$325.00, per 12"
-LCD	Load Class "D", Extra Heavy Duty Grate (7,500 - 10,000 lbs.)	\$400.00, per 12"	\$525.00, per 12"
-LCE	Load Class "E", Special Duty Grate (over 10,000 lbs.)	\$500.00, per 12"	\$700.00, per 12"
-LS	Longitudinal Slotted Grate (ADA Compliant)	No Add	No Add
-NS	Slip Resistant Grate (Non slip grit finish)	\$120.00, per 12"	\$160.00, per 12"
-PG	Perforated Grate (1/4" diameter holes)	No Add	No Add
-PHP	Perforated "Heel Proof Grate" (less than 1/4" diameter perforations)	No Add	No Add
-SHP	Slotted "Heel Proof" Grate (less than 1/4" wide slots)	No Add	No Add
-5	Sediment Bucket	\$150.00	\$195.00
-6	Vandal Resistant Grate	\$200.00	\$200.00
-90	90 Degree Section	\$400.00	\$520.00

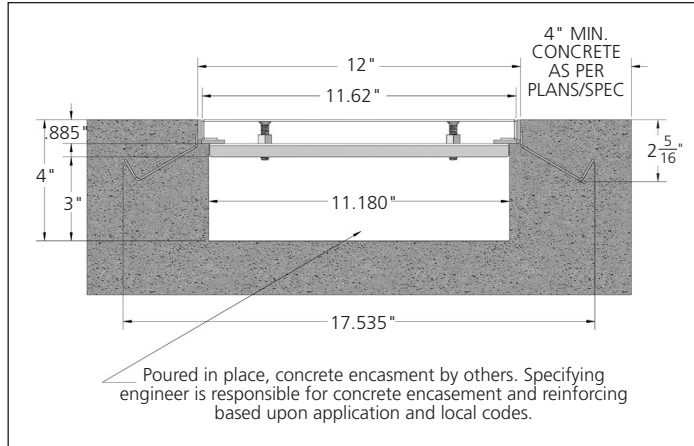
P6290 - 12" Wide, Stainless Steel Frame and Grate System

SPECIFICATION:

MIFAB® Series P6290, 12" wide, Load Class "A" Light duty slotted trench drain ADA compliant grate constructed of Type 304 stainless steel with 10 gauge stainless steel angle frame and anchor tabs. Free area of 23.00 square inches per 1' section. Also available with B, C, and D load rated stainless steel grates and optional anchor flange (Suffix -FL).

FUNCTION:

Used in laboratory, industrial, commercial, kitchen and other hygienic areas. Type 304 stainless steel construction provides for ease of cleaning, maintenance and sanitary installation. All grate openings are polished to a smooth finish.



See pages 15 and 16 for the optional grate designs.

MODEL NUMBER	DESCRIPTION	LIST PRICE, per 12"
P6290	12" wide, Type 304 Stainless Steel Frame and Grate System (Load Class "A", "Light Duty" ADA compliant grates)	\$610.00
P6290-29	12" wide, Type 316 Stainless Steel Frame and Grate System (Load Class "A", "Light Duty" ADA compliant grates)	\$790.00

OPTIONAL VARIATIONS	DESCRIPTION	LIST PRICE, TYPE 304 STAINLESS STEEL	LIST PRICE, TYPE 316 STAINLESS STEEL
Length	Specify the length that is required	Specify	Specify
-LCB	Load Class "B", Medium Duty Grate (2,000 - 4,999 lbs.)	\$440.00, per 12"	\$570.00, per 12"
-LCC	Load Class "C", Heavy Duty Grate (5,000 - 7,499 lbs.)	\$500.00, per 12"	\$650.00, per 12"
-LCD	Load Class "D", Extra Heavy Duty Grate (7,500 - 10,000 lbs.)	\$600.00, per 12"	\$780.00, per 12"
-LS	Longitudinal Slotted Grate (ADA Compliant)	No Add	No Add
-NS	Slip Resistant Grate (Non slip grit finish)	\$240.00, per 12"	\$310.00, per 12"
-PG	Perforated Grate (1/4" diameter holes)	No Add	No Add
-PHP	Perforated "Heel Proof Grate" (less than 1/4" diameter perforations)	No Add	No Add
-SHP	Slotted "Heel Proof" Grate (less than 1/4" wide slots)	No Add	No Add
-5	Sediment Bucket	\$250.00	\$325.00
-6	Vandal Resistant Grate	\$200.00	\$200.00
-90	90 Degree Section	\$500.00	\$650.00

Design and dimensions are subject to modification. Prices do not include applicable taxes.

Visit www.mifab.com for the most recent product information.

MIFAB®, Inc., 1321 West 119th Street, Chicago, Illinois 60643-5109, USA
All sales subject to MIFAB's® Terms and Warranties. Please refer to inside back cover.

Toll Free: 1-800-465-2736, Fax: 1-773-341-3049
sales@mifab.com Canada Toll Free: 1-800-387-3880

Catch Basins - For P6060 and P6120 Series of Stainless Steel Trench Drains



P6060-CB620-28



P6120-CB1224-28



P6120-CB2424-28

Note: Every catch basin is made to order to connect to the trench drain system. Please advise your MIFAB representative on the location and size required for the side outlets.

See page 16 for the required grate designs available with the catch basins.

FUNCTION:

Used inline to maintain a visual appearance of a continuous trench drain installation. They serve to collect debris and redirect waste water. Type 304 stainless steel construction provides for ease of cleaning, maintenance and sanitary installation. The P6060-CB620-28 is typically installed in between two sections of P6060 Series of trench drain. The P6120-CB1224-28 and P6120-CB2424-28 are typically installed in between two sections of P6120 Series of trench drain although they can be modified to accept all other Series of MIFAB trench drain systems. The inside of the body is manufactured without any overlapping material to ensure that bacteria does not have a place to grow. All grate openings are polished to a smooth finish.

Note: Every order of this product is a special / custom order fabrication. This product is non returnable and noncancellable.

Catch Basins - For P6060 and P6120 Series of Stainless Steel Trench Drains

SPECIFICATION: P6060-CB620-28

MIFAB® Series P6060-CB620, 6" wide, 20" long x 20" deep catch basin with slotted ADA compliant, Light duty Load Class "A" stainless steel grate. The Catch Basin is manufactured from 16 gauge, Type 304 stainless steel and has flanged ends to connect to trench drain bodies with a neoprene gasket in between. Side outlets are available in 2", 3" and 4" no hub outlet connections and fabricated as part of the catch basin. Also available with B, C, D and E load rated stainless steel grates and optional anchor flange (Suffix -FL).

P6060-CB620-28 (Type 304 Stainless Steel-List **Price \$775.00** - For grates and other optional variations see page-7

P6060-CB620-29 (Type 316) Stainless Steel-List **Price \$995.00** - for grates and other optional variations see page-7

Note: the neoprene gasket used to connect long runs of trench drain bodies is not recommended for use with caustic or harsh chemicals. In these cases, it is recommended that the trench drain sections be welded on site.

SPECIFICATION: P6120-CB1224-28

MIFAB® Series P6120-CB1224-28, 12" wide, 20" long x 20" deep catch basin with anchor tabs and slotted ADA compliant, Light duty, Load Class "A" stainless steel grate. The Catch Basin is manufactured from 16 gauge, Type 304 stainless steel and has flanged ends to connect to trench drain bodies with a neoprene gasket in between. Side outlets are available in 3", 4", 6" and 8" no hub outlet connections and fabricated as part of the catch basin. Also available with B, C, and D load rated stainless steel grates and optional anchor flange (Suffix -FL).

P6120-CB620-28 (Type 304 Stainless Steel-List **Price \$1,100.00** - For grates and other optional variations see page-8

P6120-CB620-29 (Type 316) Stainless Steel-List **Price \$1,435.00** - for grates and other optional variations see page-8

Note: the neoprene gasket used to connect long runs of trench drain bodies is not recommended for use with caustic or harsh chemicals. In these cases, it is recommended that the trench drain sections be welded on site.

SPECIFICATION: P6120-CB2424-28

MIFAB® Series P6120-CB2424-28, 20" wide x 20" long x 20" deep catch basin with anchor tabs and slotted ADA compliant, Light duty, Load Class "A" stainless steel grates. Free area of 15 square inches per 1' section. The Catch Basin is manufactured from 16 gauge, Type 304 stainless steel and has flanged ends to connect to trench drain bodies with a neoprene gasket in between. Bodies have interlocking ends and a square bottom design. Side outlets are available in 3", 4", 6" and 8" no hub outlet connections and fabricated as part of the catch basin. Also available with B, C, and D load rated stainless steel grates and optional anchor flange (Suffix -FL).

P6120-CB2424-28 (Type 304 Stainless Steel-List **Price \$1,410.00** - For grates and other optional variations see page-8

P6120-CB2424-29 (Type 316) Stainless Steel-List **Price \$1,850.00** - for grates and other optional variations see page-8

Note: the neoprene gasket used to connect long runs of trench drain bodies is not recommended for use with caustic or harsh chemicals. In these cases, it is recommended that the trench drain sections be welded on site.

Model Number	Overall Top Dimensions				Weight (Less Grate)	
	Length		Width		Lbs.	Kg.
	Inches	mm	Inches	mm		
P6060-CB620-28	20"	508	6"	152	25.00	55.00
P6120-CB1224-28	20"	508	12"	305	22.00	48.40
P6120-CB2424-28	20"	508	20"	508	30.00	66.00

Optional 1 1/2" wide grate designs for P6012 and P6150



Suffix – CDA



Suffix – PHP



Suffix – DDB



Suffix – PS



Suffix – DWG



Suffix – SBG



Suffix – LS



Suffix – SC



Suffix – PG



Suffix – SDG

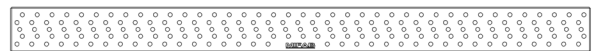


Suffix – SHP

Optional 3" wide grate designs for P6030 and P6230



Suffix – CDA



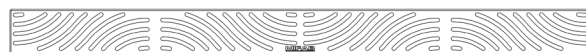
Suffix – PHP



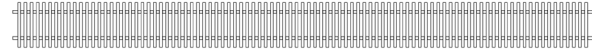
Suffix – DDB



Suffix – PS



Suffix – DWG



Suffix – SBG



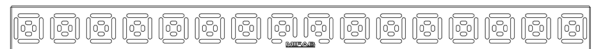
Suffix – LS



Suffix – SC



Suffix – PG

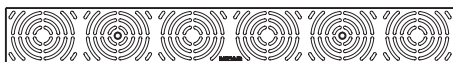


Suffix – SDG

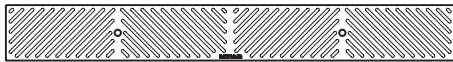


Suffix – SHP

Optional 6" wide grate designs for P6060 and P6260



Suffix - CDA



Suffix - DDB



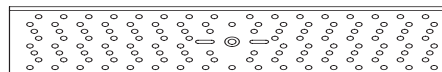
Suffix - DWG



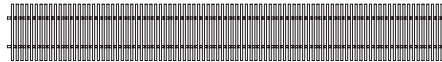
Suffix - LS



Suffix - PG



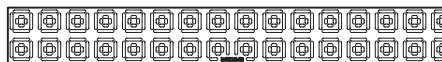
Suffix - PHP



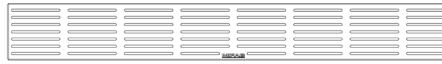
Suffix - SBG



Suffix - SC



Suffix - SDG



Suffix - SHP

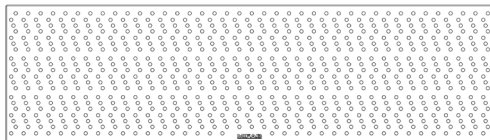
Optional 12" wide grate designs for P6120 and P6290



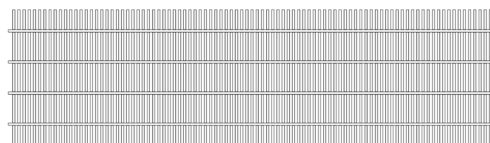
Suffix - CDA



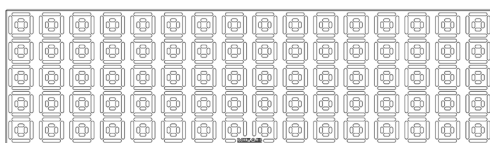
Suffix - DWG



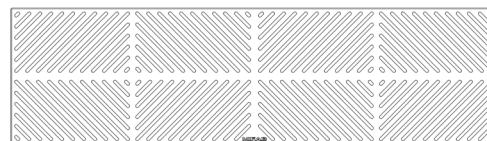
Suffix - PHP



Suffix - SBG



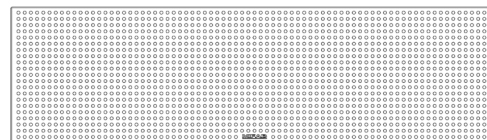
Suffix - SSDA



Suffix - DDB



Suffix - LS



Suffix - PS



Suffix - SC



Suffix - SHP

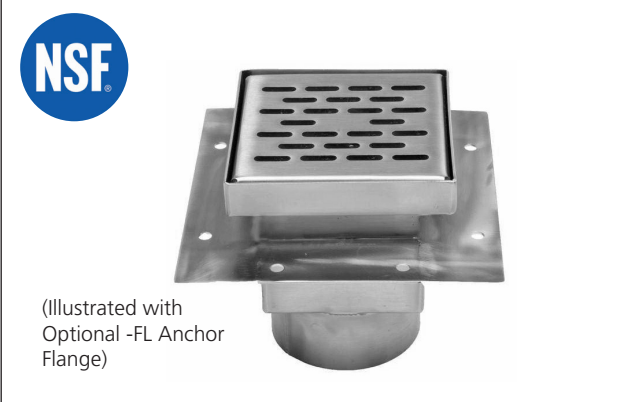
P2060 - 6" x 6" Stainless Steel Fabricated Floor Drain

SPECIFICATION:

MIFAB® Series P2060, 6" x 6" floor drain manufactured out of 16 gauge, Type 304 stainless steel with anchor tabs and slotted Load Class "A" Light duty stainless steel ADA compliant grate. Free area of 18 square inches. Bottom outlets are available in 2", 3" or 4" no hub outlet connections (specify outlet size) and fabricated as part of the floor drain. Also available with an optional anchor flange (Suffix -FL) and B, C, D or E load rated grates.

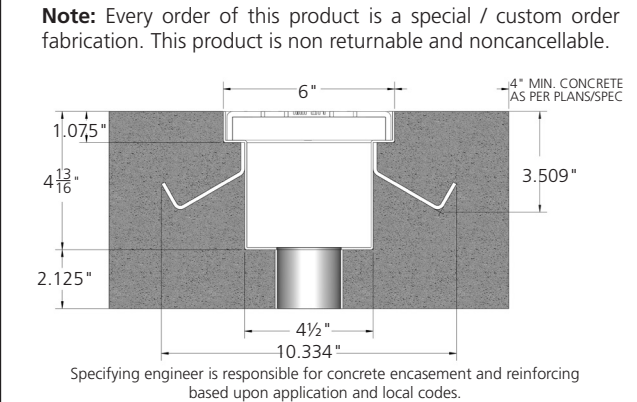
FUNCTION:

Used in industrial, commercial, kitchen and other hygienic areas. Type 304 stainless steel construction provides for ease of cleaning, maintenance and sanitary installation. All grate openings are polished to a smooth finish.



(Illustrated with Optional -FL Anchor Flange)

Note: Every order of this product is a special / custom order fabrication. This product is non returnable and noncancellable.



Specifying engineer is responsible for concrete encasement and reinforcing based upon application and local codes.

The P2060-LCB is NSF certified with a load classification of Medium Duty.

MODEL NUMBER	DESCRIPTION	LIST PRICE
P2060	6" x 6", Type 304 Stainless Steel Fabricated Floor Drain, 16 Gauge Body (Load Class "A", "Light Duty", ADA compliant grate)	\$825.00
P2060-29	6" x 6", Type 316 Stainless Steel Fabricated Floor Drain, 16 Gauge Body (Load Class "A", "Light Duty", ADA compliant grate)	\$1,075.00

OPTIONAL VARIATIONS	DESCRIPTION	LIST PRICE, TYPE 304 STAINLESS STEEL	LIST PRICE, TYPE 316 STAINLESS STEEL
-C	Membrane Clamp (Two pieces)	\$175.00	\$225.00
-F4-3	4" Round Stainless Steel Funnel	\$105.00	\$130.00
-FL	Anchor Flange	\$195.00	\$250.00
-G-3	4" x 9" Oval Stainless Steel Funnel	\$200.00	\$260.00
-LCB	Load Class "B", Medium Duty Grate (2,000 - 4,999 lbs.)	\$180.00	\$250.00
-LCC	Load Class "C", Heavy Duty Grate (5,000 - 7,499 lbs.)	\$240.00	\$310.00
-LCD	Load Class "D", Extra Heavy Duty Grate (7,500 - 10,000 lbs.)	\$300.00	\$400.00
-LCE	Load Class "E", Special Duty Grate (over 10,000 lbs.)	\$360.00	\$430.00
-NS	Slip Resistant Grate (Non slip grit finish)	\$120.00	\$160.00
P	Push on outlet	\$50.00	\$70.00
-PD	Solid cover with perimeter drainage slot	\$160.00	\$200.00
-PG	Perforated Grate (1/4" diameter holes)	No Add	No Add
-PHP	Perforated "Heel Proof Grate" (less than 1/4" diameter perforations)	No Add	No Add
-RSC	Rounded Inside Bottom Corners	\$150.00	\$195.00
-SGC	Solid, gasketed cover with removable pull ring	\$280.00	\$350.00
-SHP	Slotted "Heel Proof" Grate (less than 1/4" wide slots)	No Add	No Add
-SO	Put 2, 3, 4 or 6 in the last of the four digits of the model # to indicate the side outlet connection size and add suffix -SO. Eg. P2064-SO for a 4" side outlet.	2"- \$85.00	2"- \$110.00
		3"- \$95.00	3"- \$120.00
		4"- \$105.00	4"- \$130.00
		6"- \$115.00	6"- \$140.00
T	Threaded outlet	\$50.00	\$70.00
X	Inside caulk outlet	\$50.00	\$70.00
-5	Sediment Bucket	\$150.00	\$195.00
-6	Vandal Resistant Grate	\$200.00	\$200.00
-7	Trap Seal Primer Tapping (1/2")	\$200.00	\$200.00
-7MG	MI-GARD trap seal protection device (available for 2", 3" & 4" outlet connections)	\$80.00	\$80.00
-9	Hinged Grate	\$200.00	\$260.00
-21	Secondary Strainer (in outlet)	\$150.00	\$195.00

Note: No hub bottom outlet connections are standard. Specify 2, 3, 4 or 6 in the last of the four digit model number to indicate the bottom no hub outlet size. For the 6" bottom outlet size, please add \$75.00 for Type 304 and \$100.00 for Type 316 stainless steel. Eg. 4" no hub bottom outlet would be model # P2064.

P2080 - 8" x 8" Stainless Steel Fabricated Floor Drain

SPECIFICATION:

MIFAB® Series P2080, 8" x 8" floor drain manufactured out of 16 gauge, Type 304 stainless steel with anchor tabs and slotted, Load Class "A" Light duty stainless steel ADA compliant grate. Free area of 26 square inches. Bottom outlets are available in 2", 3" or 4" no hub outlet connections (specify outlet size) and fabricated as part of the floor drain. Also available with an optional anchor flange (Suffix -FL) and B, C, D or E load rated grates.

FUNCTION:

Used in industrial, commercial, kitchen and other hygienic areas. Type 304 stainless steel construction provides for ease of cleaning, maintenance and sanitary installation. All grate openings are polished to a smooth finish.

Note: Every order of this product is a special / custom order fabrication. This product is non returnable and noncancellable.

Specifying engineer is responsible for concrete encasement and reinforcing based upon application and local codes.

(Illustrated with Optional -FL Anchor Flange)

The P2080-LCB is NSF certified with a load classification of Medium Duty.

MODEL NUMBER	DESCRIPTION	LIST PRICE
P2080	8" x 8", Type 304 Stainless Steel Fabricated Floor Drain, 16 Gauge Body (Load Class "A", "Light Duty", ADA compliant grate)	\$930.00
P2080-29	8" x 8", Type 316 Stainless Steel Fabricated Floor Drain, 16 Gauge Body (Load Class "A", "Light Duty", ADA compliant grate)	\$1,210.00

OPTIONAL VARIATIONS	DESCRIPTION	LIST PRICE, TYPE 304 STAINLESS STEEL	LIST PRICE, TYPE 316 STAINLESS STEEL
-C	Membrane Clamp (Two pieces)	\$185.00	\$235.00
-F4-3	4" Round Stainless Steel Funnel	\$105.00	\$130.00
-FL	Anchor Flange	\$205.00	\$260.00
-G-3	4" x 9" Oval Stainless Steel Funnel	\$210.00	\$270.00
-LCB	Load Class "B", Medium Duty Grate (2,000 - 4,999 lbs.)	\$200.00	\$260.00
-LCC	Load Class "C", Heavy Duty Grate (5,000 - 7,499 lbs.)	\$260.00	\$340.00
-LCD	Load Class "D", Extra Heavy Duty Grate (7,500 - 10,000 lbs.)	\$320.00	\$430.00
-LCE	Load Class "E", Special Duty Grate (over 10,000 lbs.)	\$380.00	\$450.00
-NS	Slip Resistant Grate (Non slip grit finish)	\$120.00	\$160.00
P	Push on outlet	\$50.00	\$70.00
-PD	Solid cover with perimeter drainage slot	\$160.00	\$200.00
-PG	Perforated Grate (1/4" diameter holes)	No Add	No Add
-PHP	Perforated "Heel Proof Grate" (less than 1/4" diameter perforations)	No Add	No Add
-RSC	Rounded Inside Bottom Corners	\$150.00	\$195.00
-SGC	Solid, gasketed cover with removable pull ring	\$280.00	\$350.00
-SHP	Slotted "Heel Proof" Grate (less than 1/4" wide slots)	No Add	No Add
-SO	Put 2, 3, 4 or 6 in the last of the four digits of the model # to indicate the side outlet connection size and add suffix -SO. Eg. P2084-SO for a 4" side outlet.	2" - \$85.00	2" - \$110.00
		3" - \$95.00	3" - \$120.00
		4" - \$105.00	4" - \$130.00
		6" - \$115.00	6" - \$140.00
T	Threaded outlet	\$50.00	\$70.00
X	Inside caulk outlet	\$50.00	\$70.00
-5	Sediment Bucket	\$150.00	\$195.00
-6	Vandal Resistant Grate	\$200.00	\$200.00
-7	Trap Seal Primer Tapping (1/2")	\$200.00	\$200.00
-7MG	MI-GARD trap seal protection device (available for 2", 3" & 4" outlet connections)	\$80.00	\$80.00
-9	Hinged Grate	\$200.00	\$260.00
-21	Secondary Strainer (in outlet)	\$150.00	\$195.00

Note: No hub bottom outlet connections are standard. Specify 2, 3, 4 or 6 in the last of the four digit model number to indicate the bottom no hub outlet size. For the 6" bottom outlet size, please add \$75.00 for Type 304 and \$100.00 for Type 316 stainless steel. Eg. 4" no hub bottom outlet would be model # P2084.

Design and dimensions are subject to modification. Prices do not include applicable taxes.

Visit www.mifab.com for the most recent product information.

MIFAB®, Inc., 1321 West 119th Street, Chicago, Illinois 60643-5109, USA

Toll Free: 1-800-465-2736, Fax: 1-773-341-3049
 sales@mifab.com Canada Toll Free: 1-800-387-3880

All sales subject to MIFAB's® Terms and Warranties. Please refer to inside back cover.

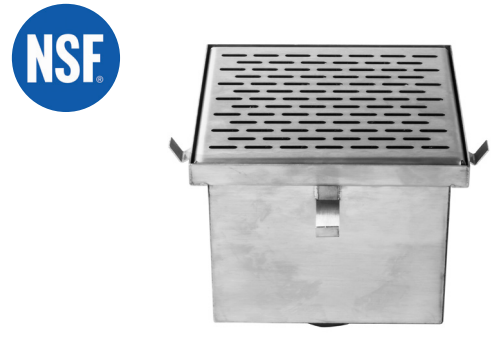
P2120 - 12" x 12" Stainless Steel Fabricated Floor Drain

SPECIFICATION:

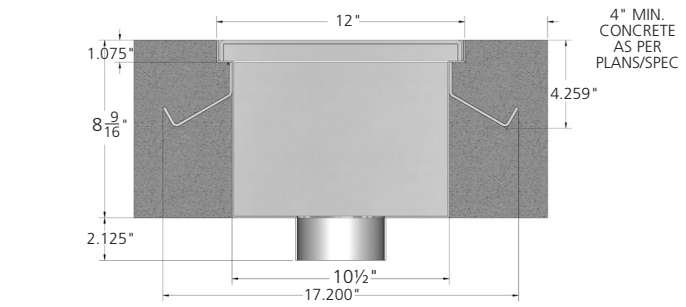
MIFAB® Series P2120, 12" x 12" floor drain manufactured out of 16 gauge, Type 304 stainless steel with anchor tabs and slotted, Load Class "A" Light duty stainless steel ADA compliant grate. Free area of 51 square inches. Bottom outlets are available in 2", 3", 4" or 6" no hub outlet connections (specify outlet size) and fabricated as part of the floor drain. Also available with an optional anchor flange (Suffix -FL) and B, C or D load rated grates.

FUNCTION:

Used in industrial, commercial, kitchen and other hygienic areas. Type 304 stainless steel construction provides for ease of cleaning, maintenance and sanitary installation. All grate openings are polished to a smooth finish.



Note: Every order of this product is a special / custom order fabrication. This product is non returnable and noncancellable.



Specifying engineer is responsible for concrete encasement and reinforcing based upon application and local codes.

The P2120-LCB is NSF certified with a load classification of Medium Duty.

MODEL NUMBER	DESCRIPTION	LIST PRICE
P2120	12" x 12", Type 304 Stainless Steel Fabricated Floor Drain, 16 Gauge Body (Load Class "A", "Light Duty", ADA compliant grate)	\$1,075.00
P2120-29	12" x 12", Type 316 Stainless Steel Fabricated Floor Drain, 16 Gauge Body (Load Class "A", "Light Duty", ADA compliant grate)	\$1,390.00

OPTIONAL VARIATIONS	DESCRIPTION	LIST PRICE, TYPE 304 STAINLESS STEEL	LIST PRICE, TYPE 316 STAINLESS STEEL
-C	Membrane Clamp (Two pieces)	\$200.00	\$260.00
-F4-3	4" Round Stainless Steel Funnel	\$105.00	\$130.00
-FL	Anchor Flange	\$225.00	\$290.00
-G-3	4" x 9" Oval Stainless Steel Funnel	\$210.00	\$270.00
-LCB	Load Class "B", Medium Duty Grate (2,000 - 4,999 lbs.)	\$220.00	\$280.00
-LCC	Load Class "C", Heavy Duty Grate (5,000 - 7,499 lbs.)	\$280.00	\$360.00
-LCD	Load Class "D", Extra Heavy Duty Grate (7,500 - 10,000 lbs.)	\$350.00	\$450.00
-NS	Slip Resistant Grate (Non slip grit finish)	\$140.00	\$180.00
P	Push on outlet	\$50.00	\$70.00
-PD	Solid cover with perimeter drainage slot	\$160.00	\$200.00
-PG	Perforated Grate (1/4" diameter holes)	No Add	No Add
-PHP	Perforated "Heel Proof Grate" (less than 1/4" diameter perforations)	No Add	No Add
-RSC	Rounded Inside Bottom Corners	\$150.00	\$195.00
-SGC	Solid, gasketed cover with removable pull ring	\$280.00	\$350.00
-SHP	Slotted "Heel Proof" Grate (less than 1/4" wide slots)	No Add	No Add
-SO	Put 2, 3, 4 or 6 in the last of the four digits of the model # to indicate the side outlet connection size and add suffix -SO. Eg. P2124-SO for a 4" side outlet.	2"- \$85.00	2"- \$110.00
		3"- \$95.00	3"- \$120.00
		4"- \$105.00	4"- \$130.00
		6"- \$115.00	6"- \$140.00
T	Threaded outlet	\$50.00	\$70.00
X	Inside caulk outlet	\$50.00	\$70.00
-5	Sediment Bucket	\$170.00	\$220.00
-6	Vandal Resistant Grate	\$200.00	\$200.00
-7	Trap Seal Primer Tapping (1/2")	\$200.00	\$200.00
-7MG	MI-GARD trap seal protection device (available for 2", 3" & 4" outlet connections)	\$80.00	\$80.00
-9	Hinged Grate	\$200.00	\$260.00
-21	Secondary Strainer (in outlet)	\$150.00	\$195.00

Note: No hub bottom outlet connections are standard. Specify 2, 3, 4 or 6 in the last of the four digit model number to indicate the bottom no hub outlet size. For the 6" bottom outlet size, please add \$75.00 for Type 304 and \$100.00 for Type 316 stainless steel. Eg. 4" no hub bottom outlet would be model # P2124.

P3060 - 6" Round Stainless Steel Fabricated Floor Drain

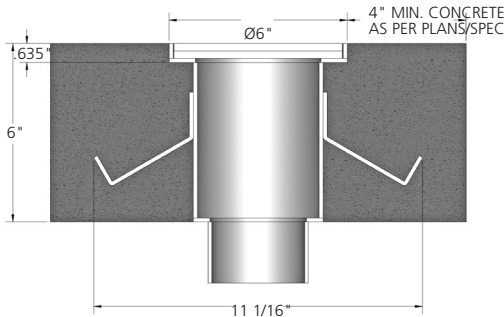
SPECIFICATION:

MIFAB® Series Series P3060, 6" round floor drain manufactured out of 16 gauge, Type 304 stainless steel with anchor tabs and slotted Load Class "A" Light duty stainless steel ADA compliant grate. Free area of 14 square inches. Bottom outlets are available in 2", 3" or 4" no hub outlet connections (specify outlet size) and fabricated as part of the floor drain. Also available with an optional anchor flange (Suffix -FL) and B, C, D or E load rated grates.

FUNCTION:

Used in industrial, commercial, kitchen and other hygienic areas. Type 304 stainless steel construction provides for ease of cleaning, maintenance and sanitary installation. All grate openings are polished to a smooth finish.

Note: Every order of this product is a special / custom order fabrication. This product is non returnable and noncancellable.



The P3060-LCB is NSF certified with a load classification of Medium Duty.

MODEL NUMBER	DESCRIPTION	LIST PRICE
P3060	6" Round, Type 304 Stainless Steel Fabricated Floor Drain, 16 Gauge Body (Load Class "A", "Light Duty", ADA compliant grate)	\$790.00
P3060-29	6" Round, Type 316 Stainless Steel Fabricated Floor Drain, 16 Gauge Body (Load Class "A", "Light Duty", ADA compliant grate)	\$1,065.00

OPTIONAL VARIATIONS	DESCRIPTION	LIST PRICE, TYPE 304 STAINLESS STEEL	LIST PRICE, TYPE 316 STAINLESS STEEL
-C	Membrane Clamp (Two pieces)	\$175.00	\$225.00
-F4-3	4" Round Stainless Steel Funnel	\$105.00	\$130.00
-FL	Anchor Flange	\$195.00	\$250.00
-G-3	4" x 9" Oval Stainless Steel Funnel	\$200.00	\$260.00
-LCB	Load Class "B", Medium Duty Grate (2,000 - 4,999 lbs.)	\$180.00	\$250.00
-LCC	Load Class "C", Heavy Duty Grate (5,000 - 7,499 lbs.)	\$240.00	\$310.00
-LCD	Load Class "D", Extra Heavy Duty Grate (7,500 - 10,000 lbs.)	\$300.00	\$400.00
-LCE	Load Class "E", Special Duty Grate (over 10,000 lbs.)	\$360.00	\$430.00
-NS	Slip Resistant Grate (Non slip grit finish)	\$120.00	\$160.00
P	Push on outlet	\$50.00	\$70.00
-PD	Solid cover with perimeter drainage slot	\$160.00	\$200.00
-PG	Perforated Grate (1/4" diameter holes)	No Add	No Add
-PHP	Perforated "Heel Proof Grate" (less than 1/4" diameter perforations)	No Add	No Add
-SGC	Solid, gasketed cover with removable pull ring	\$280.00	\$350.00
-SHP	Slotted "Heel Proof" Grate (less than 1/4" wide slots)	No Add	No Add
-SO	Put 2, 3, 4 or 6 in the last of the four digits of the model # to indicate the side outlet connection size and add suffix -SO. Eg. P3064-SO for a 4" side outlet.	2" - \$85.00	2" - \$110.00
		3" - \$95.00	3" - \$120.00
		4" - \$105.00	4" - \$130.00
		6" - \$115.00	6" - \$140.00
T	Threaded outlet	\$50.00	\$70.00
X	Inside caulk outlet	\$50.00	\$70.00
-5	Sediment Bucket	\$150.00	\$195.00
-6	Vandal Resistant Grate	\$200.00	\$200.00
-7	Trap Seal Primer Tapping (1/2")	\$200.00	\$200.00
-7MG	MI-GARD trap seal protection device (available for 2", 3" & 4" outlet connections)	\$80.00	\$80.00
-9	Hinged Grate	\$200.00	\$260.00
-21	Secondary Strainer (in outlet)	\$150.00	\$195.00

Note: No hub bottom outlet connections are standard. Specify 2, 3, 4 or 6 in the last of the four digit model number to indicate the bottom no hub outlet size. For the 6" bottom outlet size, please add \$75.00 for Type 304 and \$100.00 for Type 316 stainless steel. Eg. 4" no hub bottom outlet would be model # P3064.

Design and dimensions are subject to modification. Prices do not include applicable taxes.

Visit www.mifab.com for the most recent product information.

P3080 - 8" Round Stainless Steel Fabricated Floor Drain

SPECIFICATION:

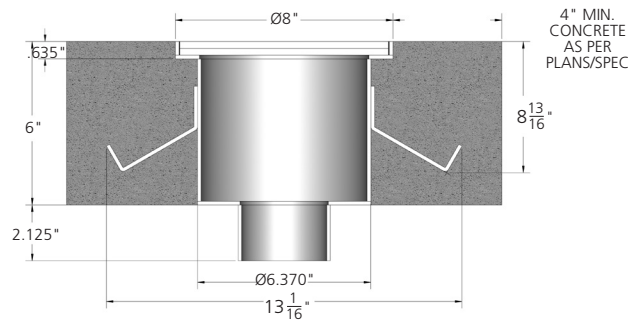
MIFAB® Series P3080, 8" round floor drain manufactured out of 16 gauge, Type 304 stainless steel with anchor tabs and slotted Load Class "A" Light duty stainless steel ADA compliant grate. Free area of 18 square inches. Bottom outlets are available in 2", 3" or 4" no hub outlet connections (specify outlet size) and fabricated as part of the floor drain. Also available with an optional anchor flange (Suffix -FL) and B, C, D or E load rated grates.

FUNCTION:

Used in industrial, commercial, kitchen and other hygienic areas. Type 304 stainless steel construction provides for ease of cleaning, maintenance and sanitary installation. All grate openings are polished to a smooth finish.



Note: Every order of this product is a special / custom order fabrication. This product is non returnable and noncancellable.



Specifying engineer is responsible for concrete encasement and reinforcing based upon application and local codes.

The P3080-LCB is NSF certified with a load classification of Medium Duty.

MODEL NUMBER	DESCRIPTION	LIST PRICE
P3080	8" Round, Type 304 Stainless Steel Fabricated Floor Drain, 16 Gauge Body (Load Class "A", "Light Duty", ADA compliant grate)	\$920.00
P3080-29	8" Round, Type 316 Stainless Steel Fabricated Floor Drain, 16 Gauge Body (Load Class "A", "Light Duty", ADA compliant grate)	\$1,225.00

OPTIONAL VARIATIONS	DESCRIPTION	LIST PRICE, TYPE 304 STAINLESS STEEL	LIST PRICE, TYPE 316 STAINLESS STEEL
-C	Membrane Clamp (Two pieces)	\$185.00	\$235.00
-F4-3	4" Round Stainless Steel Funnel	\$105.00	\$130.00
-FL	Anchor Flange	\$205.00	\$260.00
-G-3	4" x 9" Oval Stainless Steel Funnel	\$210.00	\$270.00
-LCB	Load Class "B", Medium Duty Grate (2,000 - 4,999 lbs.)	\$200.00	\$260.00
-LCC	Load Class "C", Heavy Duty Grate (5,000 - 7,499 lbs.)	\$260.00	\$340.00
-LCD	Load Class "D", Extra Heavy Duty Grate (7,500 - 10,000 lbs.)	\$320.00	\$430.00
-LCE	Load Class "E", Special Duty Grate (over 10,000 lbs.)	\$380.00	\$450.00
-NS	Slip Resistant Grate (Non slip grit finish)	\$120.00	\$160.00
P	Push on outlet	\$50.00	\$70.00
-PD	Solid cover with perimeter drainage slot	\$160.00	\$200.00
-PG	Perforated Grate (1/4" diameter holes)	No Add	No Add
-PHP	Perforated "Heel Proof Grate" (less than 1/4" diameter perforations)	No Add	No Add
-SGC	Solid, gasketed cover with removable pull ring	\$280.00	\$350.00
-SHP	Slotted "Heel Proof" Grate (less than 1/4" wide slots)	No Add	No Add
-SO	Put 2, 3, 4 or 6 in the last of the four digits of the model # to indicate the side outlet connection size and add suffix -SO. Eg. P3084-SO for a 4" side outlet.	2"- \$85.00	2"- \$110.00
		3"- \$95.00	3"- \$120.00
		4"- \$105.00	4"- \$130.00
		6"- \$115.00	6"- \$140.00
T	Threaded outlet	\$50.00	\$70.00
X	Inside caulk outlet	\$50.00	\$70.00
-5	Sediment Bucket	\$150.00	\$195.00
-6	Vandal Resistant Grate	\$200.00	\$200.00
-7	Trap Seal Primer Tapping (1/2")	\$200.00	\$200.00
-7MG	MI-GARD trap seal protection device (available for 2", 3" & 4" outlet connections)	\$80.00	\$80.00
-9	Hinged Grate	\$200.00	\$260.00
-21	Secondary Strainer (in outlet)	\$150.00	\$195.00

Note: No hub bottom outlet connections are standard. Specify 2, 3, 4 or 6 in the last of the four digit model number to indicate the bottom no hub outlet size. For the 6" bottom outlet size, please add \$75.00 for Type 304 and \$100.00 for Type 316 stainless steel. Eg. 4" no hub bottom outlet would be model # P3084.

P3100 - 12" Round Stainless Steel Fabricated Floor Drain

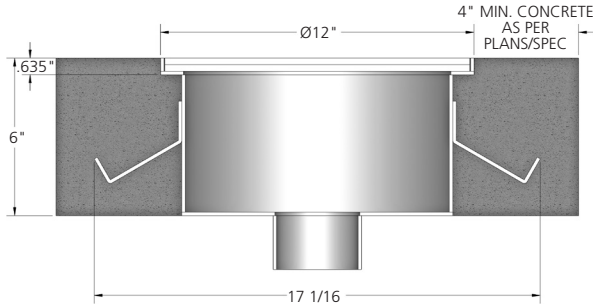
SPECIFICATION:

MIFAB® Series P3100, 12" round floor drain manufactured out of 16 gauge, Type 304 stainless steel with anchor tabs and slotted Load Class "A" Light duty stainless steel ADA compliant grate. Free area of 22 square inches. Bottom outlets are available in 2", 3", 4" or 6" no hub outlet connections (specify outlet size) and fabricated as part of the floor drain. Also available with an optional anchor flange (Suffix -FL) and B, C, or D load rated grates.

FUNCTION:

Used in industrial, commercial, kitchen and other hygienic areas. Type 304 stainless steel construction provides for ease of cleaning, maintenance and sanitary installation. All grate openings are polished to a smooth finish.

Note: Every order of this product is a special / custom order fabrication. This product is non returnable and noncancellable.



The P3100-LCB is NSF certified with a load classification of Medium Duty.

MODEL NUMBER	DESCRIPTION	LIST PRICE
P3100	12" Round, Type 304 Stainless Steel Fabricated Floor Drain, 16 Gauge Body (Load Class "A", "Light Duty", ADA compliant grate)	\$1,080.00
P3100-29	12" Round, Type 316 Stainless Steel Fabricated Floor Drain, 16 Gauge Body (Load Class "A", "Light Duty", ADA compliant grate)	\$1,400.00

OPTIONAL VARIATIONS	DESCRIPTION	LIST PRICE, TYPE 304 STAINLESS STEEL	LIST PRICE, TYPE 316 STAINLESS STEEL
-C	Membrane Clamp (Two pieces)	\$200.00	\$260.00
-F4-3	4" Round Stainless Steel Funnel	\$105.00	\$130.00
-FL	Anchor Flange	\$225.00	\$290.00
-G-3	4" x 9" Oval Stainless Steel Funnel	\$210.00	\$270.00
-LCB	Load Class "B", Medium Duty Grate (2,000 - 4,999 lbs.)	\$220.00	\$280.00
-LCC	Load Class "C", Heavy Duty Grate (5,000 - 7,499 lbs.)	\$280.00	\$360.00
-LCD	Load Class "D", Extra Heavy Duty Grate (7,500 - 10,000 lbs.)	\$350.00	\$450.00
-LF	Round top body without square frame	No Add	No Add
-NS	Slip Resistant Grate (Non slip grit finish)	\$140.00	\$180.00
P	Push on outlet	\$50.00	\$70.00
-PG	Perforated Grate (1/4" diameter holes)	No Add	No Add
-PHP	Perforated "Heel Proof Grate" (less than 1/4" diameter perforations)	No Add	No Add
-SGC	Solid, gasketed cover with removable pull ring	\$280.00	\$350.00
-SHP	Slotted "Heel Proof" Grate (less than 1/4" wide slots)	No Add	No Add
-SO	Put 2, 3, 4 or 6 in the last of the four digits of the model # to indicate the side outlet connection size and add suffix -SO. Eg. P3104-SO for a 4" side outlet.	2"- \$85.00	2"- \$110.00
		3"- \$95.00	3"- \$120.00
		4"- \$105.00	4"- \$130.00
		6"- \$115.00	6"- \$140.00
T	Threaded outlet	\$50.00	\$70.00
X	Inside caulk outlet	\$50.00	\$70.00
-5	Sediment Bucket	\$170.00	\$220.00
-6	Vandal Resistant Grate	\$200.00	\$200.00
-7	Trap Seal Primer Tapping (1/2")	\$200.00	\$200.00
-7MG	MI-GARD trap seal protection device (available for 2", 3" & 4" outlet connections)	\$80.00	\$80.00
-9	Hinged Grate	\$200.00	\$260.00
-21	Secondary Strainer (in outlet)	\$150.00	\$195.00

Note: No hub bottom outlet connections are standard. Specify 2, 3, 4 or 6 in the last of the four digit model number to indicate the bottom no hub outlet size. For the 6" bottom outlet size, please add \$75.00 for Type 304 and \$100.00 for Type 316 stainless steel. Eg. 4" no hub bottom outlet would be model # P3104.

P3120 - 12" x 12" Stainless Steel Fabricated Floor Drain with Solid Cover and Perimeter Drainage

SPECIFICATION:

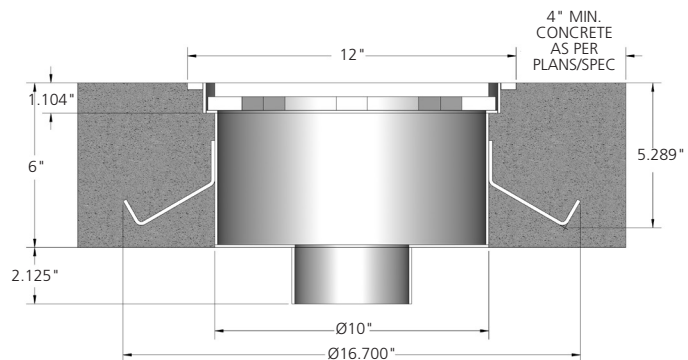
MIFAB® Series P3120, 12" x 12" heavy duty floor drain with solid cover and perimeter drainage opening. Body is manufactured out of 16 gauge, Type 304 stainless steel. Solid cover is 1/2" thick Type 304 stainless steel with a Load Class "C" heavy duty cover. Free area of 8 square inches. Bottom outlets are available in 2", 3", 4" or 6" no hub outlet connections (specify outlet size) and fabricated as part of the floor drain. Also available with an optional anchor flange (Suffix -FL) and D or E load rated cover.

FUNCTION:

Used in industrial, commercial, kitchen and other hygienic areas such as dairies. Type 304 stainless steel construction provides for ease of cleaning, maintenance and sanitary installation. All grate openings are polished to a smooth finish.



Note: Every order of this product is a special / custom order fabrication. This product is non returnable and noncancellable.



Specifying engineer is responsible for concrete encasement and reinforcing based upon application and local codes.

The P3120-LCE is NSF certified with a load classification of Special Duty.

MODEL NUMBER	DESCRIPTION	LIST PRICE
P3120	12" x 12", Type 304 Stainless Steel Fabricated Floor Drain with Solid Cover and Perimeter Drainage, 16 Gauge Body (Load Class "C", "Heavy Duty" grate)	\$1,120.00
P3120-29	12" x 12", Type 316 Stainless Steel Fabricated Floor Drain with Solid Cover and Perimeter Drainage, 16 Gauge Body (Load Class "C", "Heavy Duty" grate)	\$1,450.00

OPTIONAL VARIATIONS	DESCRIPTION	LIST PRICE, TYPE 304 STAINLESS STEEL	LIST PRICE, TYPE 316 STAINLESS STEEL
-C	Membrane Clamp (Two pieces)	\$200.00	\$260.00
-FL	Anchor Flange	\$225.00	\$290.00
-LCD	Extra Heavy Duty, Load Class "D", (7,500 - 10,000 lbs.) Solid Cover	\$350.00	\$450.00
-LCE	Load Class "E", (over 10,000 lbs.) Solid Cover	\$450.00	\$575.00
-LF	Round top body without square top frame	No Add	No Add
P	Push on outlet	\$50.00	\$70.00
-SGC	Solid, gasketed cover with removable pull ring	\$280.00	\$350.00
-SO	Put 2, 3, 4 or 6 in the last of the four digits of the model # to indicate the side outlet connection size and add suffix -SO. Eg. P3124-SO for a 4" side outlet.	2"- \$85.00	2"- \$110.00
		3"- \$95.00	3"- \$120.00
		4"- \$105.00	4"- \$130.00
		6"- \$115.00	6"- \$140.00
T	Threaded outlet	\$50.00	\$70.00
X	Inside caulk outlet	\$50.00	\$70.00
-5	Sediment Bucket	\$170.00	\$220.00
-6	Vandal Resistant Cover	\$200.00	\$200.00
-7	Trap Seal Primer Tapping (1/2")	\$200.00	\$200.00
-7MG	MI-GARD trap seal protection device (available for 2", 3" & 4" outlet connections)	\$80.00	\$80.00
-21	Secondary Strainer (in outlet)	\$150.00	\$195.00

Note: No hub bottom outlet connections are standard. Specify 2, 3, 4 or 6 in the last of the four digit model number to indicate the bottom no hub outlet size. For the 6" bottom outlet size, please add \$75.00 for Type 304 and \$100.00 for Type 316 stainless steel. Eg. 4" no hub bottom outlet would be model # P3124.

P4080 - 8" x 8" Stainless Steel Fabricated Floor Sink with Radiused inside Sump

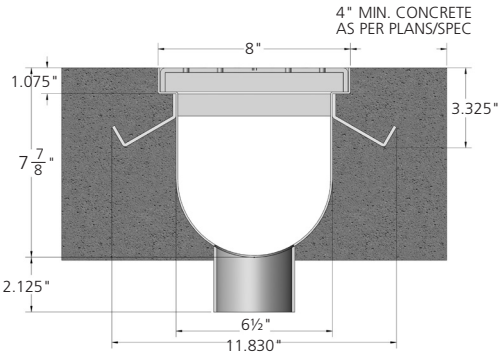
SPECIFICATION:

MIFAB® Series P4080, 8" x 8" x 6" deep floor sink manufactured out of 16 gauge, Type 304 stainless steel with anchor tabs and slotted Load Class "A" Light duty stainless steel ADA compliant full grate. Free area of 26 square inches. Bottom outlets are available in 2", 3", 4" or 6" no hub outlet connections (specify outlet size) and fabricated as part of the floor sink. Also available with an optional anchor flange (Suffix -FL) and B, C, D or E load rated grates.

FUNCTION:

Used in industrial, commercial, kitchen and other hygienic areas. Type 304 stainless steel construction provides for ease of cleaning, maintenance and sanitary installation. All grate openings are polished to a smooth finish.

Note: Every order of this product is a special / custom order fabrication. This product is non returnable and noncancellable.



Specifying engineer is responsible for concrete encasement and reinforcing based upon application and local codes.



The P4080-LCB is NSF certified with a load classification of Medium Duty.

MODEL NUMBER	DESCRIPTION	LIST PRICE
P4080	8" x 8" x 6" Deep, Type 304 Stainless Steel Fabricated Floor Sink, 16 Gauge Body (Load Class "A", "Light Duty", ADA compliant grate)	\$975.00
P4080-29	8" x 8" x 6" Deep, Type 316 Stainless Steel Fabricated Floor Sink, 16 Gauge Body (Load Class "A", "Light Duty", ADA compliant grate)	\$1,275.00

OPTIONAL VARIATIONS	DESCRIPTION	LIST PRICE, TYPE 304 STAINLESS STEEL	LIST PRICE, TYPE 316 STAINLESS STEEL
-C	Membrane Clamp (Two pieces)	\$200.00	\$260.00
-F4-3	4" Round Stainless Steel Funnel	\$105.00	\$130.00
-FL	Anchor Flange	\$225.00	\$290.00
-G-3	4" x 9" Oval Stainless Steel Funnel	\$210.00	\$270.00
-LCB	Load Class "B", Medium Duty Grate (2,000 - 4,999 lbs.)	\$220.00	\$280.00
-LCC	Load Class "C", Heavy Duty Grate (5,000 - 7,499 lbs.)	\$280.00	\$360.00
-LCD	Load Class "D", Extra Heavy Duty Grate (7,500 - 10,000 lbs.)	\$350.00	\$450.00
-LCE	Load Class "E", Special Duty Grate (over 10,000 lbs.)	\$430.00	\$550.00
-NS	Slip Resistant Grate (Non slip grit finish)	\$140.00	\$180.00
P	Push on outlet	\$50.00	\$70.00
-PG	Perforated Grate (1/4" diameter holes)	No Add	No Add
-PHP	Perforated "Heel Proof Grate" (less than 1/4" diameter perforations)	No Add	No Add
-SGC	Solid, gasketed cover with removable pull ring	\$280.00	\$350.00
-SHP	Slotted "Heel Proof" Grate (less than 1/4" wide slots)	No Add	No Add

OPTIONAL VARIATIONS	DESCRIPTION	LIST PRICE, TYPE 304 STAINLESS STEEL	LIST PRICE, TYPE 316 STAINLESS STEEL
-SO	Put 2, 3, 4 or 6 in the last of the four digits of the model # to indicate the side outlet connection size and add suffix -SO. Eg. P4084-SO for a 4" side outlet.	2"- \$85.00	2"- \$110.00
		3"- \$95.00	3"- \$120.00
		4"- \$105.00	4"- \$130.00
		6"- \$115.00	6"- \$140.00
T	Threaded outlet	\$50.00	\$70.00
X	Inside caulk outlet	\$50.00	\$70.00
-5	Sediment Bucket	\$150.00	\$195.00
-6	Vandal Resistant Grate	\$200.00	\$200.00
-7	Trap Seal Primer Tapping (1/2")	\$200.00	\$200.00
-7MG	MI-GARD trap seal protection device (available for 2", 3" & 4" outlet connections)	\$80.00	\$80.00
-8D	8" Deep Body	\$200.00	\$260.00
-9	Hinged Grate	\$200.00	\$260.00
-21	Secondary Strainer (in outlet)	\$150.00	\$195.00
-22	Less Grate	Deduct \$250.00	Deduct \$325.00
-51	2 1/2" Square Center Grate Opening	\$150.00	\$195.00
-150	Half Grate	No Add	No Add
-175	Three Quarter Grate	No Add	No Add

Note: No hub bottom outlet connections are standard. Specify 2, 3, 4 or 6 in the last of the four digit model number to indicate the bottom no hub outlet size. For the 6" bottom outlet size, please add \$75.00 for Type 304 and \$100.00 for Type 316 stainless steel. Eg. 4" no hub bottom outlet would be model # P4084.

P4120 - 12"x12" Stainless Steel Fabricated Floor Sink with Radiused inside Sump

SPECIFICATION:

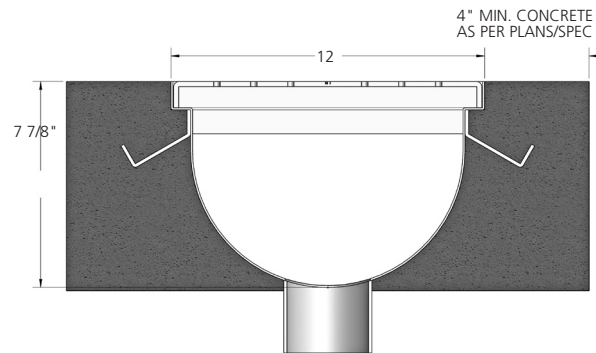
MIFAB® Series P4120, 12" x 12" x 8" deep floor sink manufactured out of 16 gauge, Type 304 stainless steel with anchor tabs and slotted Load Class "A" Light duty stainless steel full ADA compliant grate. Free area of 51 square inches. Bottom outlets are available in 2", 3", 4" or 6" no hub outlet connections (specify outlet size) and fabricated as part of the floor sink. Also available with an optional anchor flange (Suffix -FL) and B, C, or D load rated grates.

FUNCTION:

Used in industrial, commercial, kitchen and other hygienic areas. Type 304 stainless steel construction provides for ease of cleaning, maintenance and sanitary installation. All grate openings are polished to a smooth finish.



Note: Every order of this product is a special / custom order fabrication. This product is non returnable and noncancellable.



The P4120-LCB is NSF certified with a load classification of Medium Duty.

MODEL NUMBER	DESCRIPTION	LIST PRICE
P4120	12" x 12" x 8" Deep, Type 304 Stainless Steel Fabricated Floor Sink, 16 Gauge Body (Load Class "A", "Light Duty", ADA compliant grate)	\$1,120.00
P4120-29	12" x 12" x 8" Deep, Type 316 Stainless Steel Fabricated Floor Sink, 16 Gauge Body (Load Class "A", "Light Duty", ADA compliant grate)	\$1,465.00

OPTIONAL VARIATIONS	DESCRIPTION	LIST PRICE, TYPE 304 STAINLESS STEEL	LIST PRICE, TYPE 316 STAINLESS STEEL
-C	Membrane Clamp (Two pieces)	\$200.00	\$260.00
-F4-3	4" Round Stainless Steel Funnel	\$105.00	\$130.00
-FL	Anchor Flange	\$225.00	\$290.00
-G-3	4" x 9" Oval Stainless Steel Funnel	\$210.00	\$270.00
-LCB	Load Class "B", Medium Duty Grate (2,000 - 4,999 lbs.)	\$220.00	\$280.00
-LCC	Load Class "C", Heavy Duty Grate (5,000 - 7,499 lbs.)	\$280.00	\$360.00
-LCD	Load Class "D", Extra Heavy Duty Grate (7,500 - 10,000 lbs.)	\$350.00	\$450.00
-NS	Slip Resistant Grate (Non slip grit finish)	\$140.00	\$180.00
P	Push on outlet	\$50.00	\$70.00
-PG	Perforated Grate (1/4" diameter holes)	No Add	No Add
-PHP	Perforated "Heel Proof Grate" (less than 1/4" diameter perforations)	No Add	No Add
-SGC	Solid, gasketed cover with removable pull ring	\$280.00	\$350.00
-SHP	Slotted "Heel Proof" Grate (less than 1/4" wide slots)	No Add	No Add

OPTIONAL VARIATIONS	DESCRIPTION	LIST PRICE, TYPE 304 STAINLESS STEEL	LIST PRICE, TYPE 316 STAINLESS STEEL
-SO	Put 2, 3, 4 or 6 in the last of the four digits of the model # to indicate the side outlet connection size and add suffix -SO. Eg. P4124-SO for a 4" side outlet.	2"- \$85.00	2"- \$110.00
		3"- \$95.00	3"- \$120.00
		4"- \$105.00	4"- \$130.00
		6"- \$115.00	6"- \$140.00
T	Threaded outlet	\$50.00	\$70.00
X	Inside caulk outlet	\$50.00	\$70.00
-5	Sediment Bucket	\$150.00	\$195.00
-6	Vandal Resistant Grate	\$200.00	\$200.00
-7	Trap Seal Primer Tapping (1/2")	\$200.00	\$200.00
-7MG	MI-GARD trap seal protection device (available for 2", 3" & 4" outlet connections)	\$80.00	\$80.00
-9	Hinged Grate	\$200.00	\$260.00
-10D	10" Deep Body	\$200.00	\$260.00
-21	Secondary Strainer (in outlet)	\$150.00	\$195.00
-22	Less Grate	Deduct \$250.00	Deduct \$325.00
-51	2 1/2" Square Center Grate Opening	\$150.00	\$195.00
-150	Half Grate	No Add	No Add
-175	Three Quarter Grate	No Add	No Add

Note: No hub bottom outlet connections are standard. Specify 2, 3, 4 or 6 in the last of the four digit model number to indicate the bottom no hub outlet size. For the 6" bottom outlet size, please add \$75.00 for Type 304 and \$100.00 for Type 316 stainless steel. Eg. 4" no hub bottom outlet would be model # P4124.

P5000 - Stainless Steel Kettle Drain

SPECIFICATION:

MIFAB® Series P5000, kettle drain manufactured out of 16 gauge, Type 304 stainless steel with anchor tabs and slotted Load Class "A" Light duty stainless steel ADA compliant grates. The grate slot size is 5/16" x 1 1/4". Bottom outlets are centered and available in 2", 3", 4" or 6" no hub outlet connections (specify outlet size) and fabricated as part of the drain. Also available with an optional anchor flange flange (Suffix -FL) and B, or C load rated grates.

FUNCTION:

Used in kitchen, restaurant and food processing areas for placement under or within close proximity to the kettles that they will serve. A variety of grate designs are available for the various applications or locations in the cooking area. Type 304 stainless steel construction provides for ease of cleaning, maintenance and sanitary installation. All grate openings are polished to a smooth finish.

Note: Every order of this product is a special / custom order fabrication. This product is non returnable and noncancellable.

Specifying engineer is responsible for concrete encasement and reinforcing based upon application and local codes.

The P5000-LCB is NSF certified with a load classification of Medium Duty.

P5000 Series, Stainless Steel Fabricated Kettle Drain (Load Class "A", "Light Duty", ADA compliant grates)			
MODEL NUMBER	SIZE	LIST PRICE, TYPE 304 STAINLESS STEEL	LIST PRICE, TYPE 316 STAINLESS STEEL
P5001	12" x 24"	\$1,340.00	\$1,725.00
P5002	12" x 30"	\$1,430.00	\$1,865.00
P5003	12" x 36"	\$1,565.00	\$2,020.00
P5004	12" x 48"	\$1,675.00	\$2,185.00
P5005	18" x 18"	\$1,560.00	\$2,025.00
P5006	18" x 24"	\$1,660.00	\$2,160.00
P5007	18" x 30"	\$1,760.00	\$2,290.00
P5008	18" x 36"	\$1,850.00	\$2,400.00
P5009	18" x 48"	\$2,000.00	\$2,600.00
P5010	24" x 24"	\$1,815.00	\$2,350.00
P5011	24" x 30"	\$1,920.00	\$2,500.00
P5012	24" x 36"	\$2,080.00	\$2,700.00
P5013	24" x 48"	\$2,275.00	\$2,950.00
P5014	30" x 30"	\$2,100.00	\$2,725.00
P5015	30" x 36"	\$2,200.00	\$2,865.00
P5016	30" x 48"	\$2,500.00	\$3,260.00
P5017	36" x 36"	\$2,440.00	\$3,170.00
P5018	36" x 48"	\$2,640.00	\$3,430.00
-RSC	Rounded Inside Bottom Corners	\$150.00	\$195.00
-SGC	Solid, gasketed cover with removable pull ring	\$280.00	\$350.00
-7MG	MI-GARD trap seal protection device (available for 2", 3" & 4" outlet connections)	\$80.00	\$80.00

Design and dimensions are subject to modification. Prices do not include applicable taxes.

Visit www.mifab.com for the most recent product information.

P5000 - Stainless Steel Kettle Drain

OPTIONAL VARIATIONS	DESCRIPTION	LIST PRICE, TYPE 304 STAINLESS STEEL	LIST PRICE, TYPE 316 STAINLESS STEEL
-C	Membrane Clamp (Two pieces) (P5001 to P5009)	\$185.00	\$235.00
-C	Membrane Clamp (Two pieces) (P5010 to P5018)	\$250.00	\$325.00
-F4-3	4" Round Stainless Steel Funnel	\$105.00	\$130.00
-FL	Anchor Flange (P5001 to P5009)	\$205.00	\$260.00
-FL	Anchor Flange (P5010 to P5018)	\$300.00	\$390.00
-G-3	4" x 9" Oval Stainless Steel Funnel	\$210.00	\$270.00
-LCB	Load Class "B", Medium Duty Bar Grate (2,000 - 4,999 lbs.) (P5001 to P5009)	\$500.00	\$625.00
-LCB	Load Class "B", Medium Duty Bar Grate (2,000 - 4,999 lbs.) (P5010 to P5018)	\$900.00	\$1,125.00
-LCC	Load Class "C", Heavy Duty Bar Grate (5,000 - 7,499 lbs.) (P5001 to P5009)	\$600.00	\$750.00
-LCC	Load Class "C", Heavy Duty Bar Grate (5,000 - 7,499 lbs.) (P5010 to P5018)	\$1,000.00	\$1,300.00
-NS	Slip Resistant Grate (Non slip grit finish) (P5001 to P5009)	\$200.00	\$260.00
-NS	Slip Resistant Grate (Non slip grit finish) (P5010 to P5018)	\$350.00	\$450.00
P	Push on outlet	\$50.00	\$70.00
-PG	Perforated Grate (1/4" diameter holes)	No Add	No Add
-PHP	Perforated "Heel Proof Grate" (less than 1/4" diameter perforations)	No Add	No Add
-SHP	Slotted "Heel Proof" Grate (less than 1/4" wide slots)	No Add	No Add
-SO	Specify suffix -2NH, -3NH, -4NH or -6NH after the model # to indicate the side outlet connection size and add suffix -SO. Eg. P5001-4NH-SO for a 4" side outlet.	2"- \$85.00	2"- \$110.00
		3"- \$95.00	3"- \$120.00
		4"- \$105.00	4"- \$130.00
		6"- \$115.00	6"- \$140.00
T	Threaded outlet	\$50.00	\$70.00
X	Inside caulk outlet	\$50.00	\$70.00
-5	Sediment Bucket	\$150.00	\$195.00
-6	Vandal Resistant Grate	\$200.00	\$200.00
-7	Trap Seal Primer Tapping (1/2")	\$200.00	\$200.00
-7MG	MI-GARD trap seal protection device (available for 2", 3" and 4" outlet connections)	\$80.00	\$80.00
-9	Hinged Grate	\$200.00	\$260.00
-21	Secondary Strainer (in outlet)	\$150.00	\$195.00
-22	Less Grate (P5001 to P5009)	Deduct \$350.00	Deduct \$450.00
-22	Less Grate (P5010 to P5018)	Deduct \$600.00	Deduct \$750.00
-51	2 1/2" Square Center Grate Opening	\$150.00	\$195.00
-150	Half Grate	No Add	No Add
-175	Three Quarter Grate	No Add	No Add

Note: No hub bottom outlet connections are standard. Specify suffix -2NH, -3NH, -4NH or -6NH after the model number to indicate the no hub bottom outlet size. For the 6" bottom outlet size, please add \$75.00 for Type 304 and \$100.00 for Type 316 stainless steel. Eg. 4" no hub bottom outlet would for the P5001 model would be P5001-4NH.

P6400 - Heavy Duty Stainless Steel Subway Bar, Grate and Frame

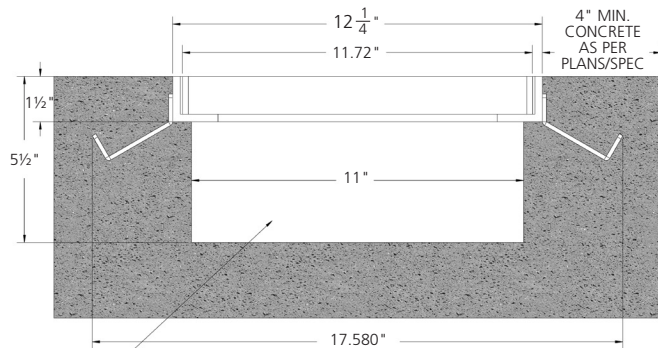
SPECIFICATION:

MIFAB® Series P6400, Heavy duty Load Class "C", Type 304 stainless steel subway bar grates with 3/16" x 1" thick reinforcing bars at each joint and frame with anchor tabs. Also available with an optional anchor flange flange (Suffix -FL).

FUNCTION:

Used in industrial, commercial, kitchen and other hygienic areas where only the heavy duty grating and frame is required. Type 304 stainless steel construction provides for ease of cleaning, maintenance and sanitary installation.

Note: Every order of this product is a special / custom order fabrication. This product is non returnable and noncancellable.



Poured in place, concrete encasement by others. Specifying engineer is responsible for concrete encasement and reinforcing based upon application and local codes.



Heavy Duty Stainless Steel Subway Bar Grates

MODEL NUMBER	SIZE	LIST PRICE, TYPE 304 STAINLESS STEEL	LIST PRICE, TYPE 316 STAINLESS STEEL
P6401	12" x 24"	\$920.00	\$1,225.00
P6402	12" x 30"	\$1,150.00	\$1,520.00
P6403	12" x 36"	\$1,380.00	\$1,790.00
P6404	12" x 48"	\$1,725.00	\$2,240.00
P6405	18" x 18"	\$1,035.00	\$1,375.00
P6406	18" x 24"	\$1,380.00	\$1,825.00
P6407	18" x 30"	\$1,620.00	\$2,135.00
P6408	18" x 36"	\$1,810.00	\$2,350.00
P6409	18" x 48"	\$2,325.00	\$3,000.00
P6410	24" x 24"	\$1,725.00	\$2,240.00
P6411	24" x 30"	\$2,015.00	\$2,620.00
P6412	24" x 36"	\$2,325.00	\$3,025.00
P6413	24" x 48"	\$2,625.00	\$3,410.00
P6414	30" x 30"	\$2,410.00	\$3,130.00
P6415	30" x 36"	\$2,890.00	\$3,790.00
P6416	30" x 48"	\$3,855.00	\$5,050.00
P6417	36" x 36"	\$3,370.00	\$4,375.00
P6418	36" x 48"	\$4,500.00	\$5,805.00

OPTIONAL VARIATIONS	DESCRIPTION	LIST PRICE
Custom	Specify custom size required	P.O.A.
-V	Bars in the vertical position	No Add

Design and dimensions are subject to modification. Prices do not include applicable taxes.

Visit www.mifab.com for the most recent product information.

MIFAB®, Inc., 1321 West 119th Street, Chicago, Illinois 60643-5109, USA
All sales subject to MIFAB's® Terms and Warranties. Please refer to inside back cover.

Toll Free: 1-800-465-2736, Fax: 1-773-341-3049
sales@mifab.com Canada Toll Free: 1-800-387-3880

P7040 / P7060 - Stainless Steel Fabricated Cleanout

SPECIFICATION:

MIFAB® Series P7000 (specify P7040 to cover 4" pipe and P7060 to cover 6" pipe) round heavy duty floor cleanout manufactured out of 16 gauge, Type 304 stainless steel with three stainless steel screws to fasten to pipe. Standard with ANSI rated "Heavy Duty", Load Class "C" solid Type 304 stainless steel cover with a load rating of 5,000 to 7,000 lbs. Load Class "D" and "E" covers are also available.

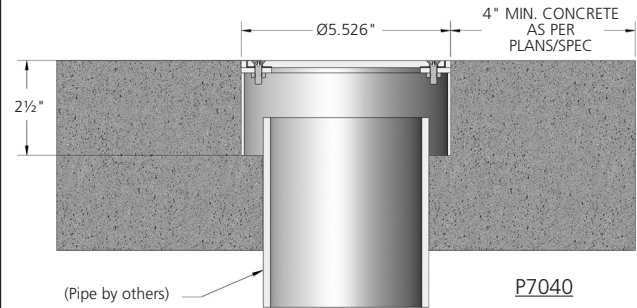
FUNCTION:

Used in industrial, commercial, kitchen and other hygienic areas, such as finished floors to provide emergency access to the plumbing lines for removal of blockages. Heavy duty, Type 304 stainless steel construction provides for ease of cleaning, maintenance and sanitary installation.

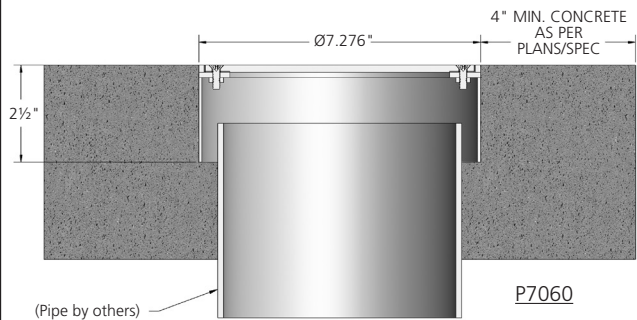
Note: Every order of this product is a special / custom order fabrication. This product is non returnable and noncancellable.



(P7040 illustrated)



Specifying engineer is responsible for concrete encasement and reinforcing based upon application and local codes.



Specifying engineer is responsible for concrete encasement and reinforcing based upon application and local codes.

The P7040-LCD and P7060-LCD are NSF certified with a load classification of Extra Heavy Duty.

MODEL NUMBER	DESCRIPTION	LIST PRICE
P7040	4" round, Type 304, Heavy Duty Stainless Steel Cleanout (Load Class "C", "Heavy Duty" Cover)	\$570.00
P7040-29	4" round, Type 316, Heavy Duty Stainless Steel Cleanout (Load Class "C", "Heavy Duty" Cover)	\$745.00
P7060	6" round, Type 304, Heavy Duty Stainless Steel Cleanout (Load Class "C", "Heavy Duty" Cover)	\$720.00
P7060-29	6" round, Type 316, Heavy Duty Stainless Steel Cleanout (Load Class "C", "Heavy Duty" Cover)	\$935.00

OPTIONAL VARIATIONS	DESCRIPTION	LIST PRICE, TYPE 304 STAINLESS STEEL	LIST PRICE, TYPE 316 STAINLESS STEEL
-C	Membrane Clamp	\$125.00	\$165.00
-FL	Anchor Flange	\$185.00	\$235.00
-LCD	Load Class "D", Extra Heavy Duty Cover (7,500 - 10,000 lbs.)	\$400.00	\$525.00
-LCE	Load Class "E", Special Duty Cover (over 10,000 lbs.)	\$500.00	\$625.00
-NS	Slip Resistant Grate (Non slip grit finish)	\$60.00	\$100.00
-6	Vandal Resistant Cover	\$200.00	\$200.00

P8100 / P8200 - Stainless Steel Fabricated Downspout Boot

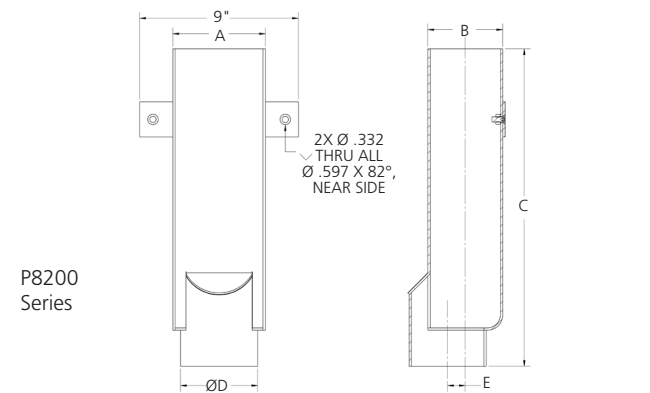
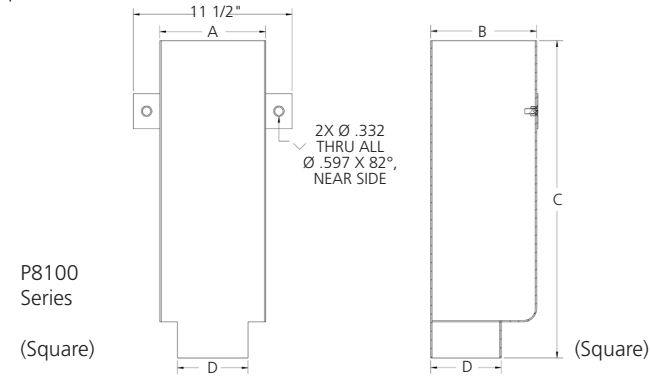
SPECIFICATION:

MIFAB® Series (specify P8100 Series for square outlet and P8200 Series for round outlet) downspout boot manufactured out of 16 gauge, Type 304 stainless steel with mounting tabs.

FUNCTION:

Used as a transition piece to connect sheet metal exposed downspouts or interior roof drainage leaders to underground soil pipe or exterior splash blocks. Stainless steel construction provides an anti-microbial finish.

Note: Every order of this product is a special / custom order fabrication. This product is non returnable and noncancellable.



(P8186-24 illustrated)

MODEL NUMBER	DIMENSIONS					LIST PRICE, TYPE 304 STAINLESS STEEL	LIST PRICE, TYPE 316 STAINLESS STEEL
	A	B	C	D	E		
P8166-18	6"	6"	18"	4"	1"	\$1,950.00	\$2,595.00
P8166-24	6"	6"	24"	4"	1"	\$2,040.00	\$2,710.00
P8186-18	8"	6"	18"	6"	1"	\$2,290.00	\$2,970.00
P8186-24	8"	6"	24"	6"	1"	\$2,360.00	\$3,090.00
P8254-18	5 1/4"	4 1/4"	18"	4"	1"	\$1,990.00	\$2,590.00
P8254-24	5 1/4"	4 1/4"	24"	4"	1"	\$2,080.00	\$2,700.00
P8266-18	6"	6"	18"	4"	1"	\$2,120.00	\$2,775.00
P8266-24	6"	6"	24"	4"	1"	\$2,200.00	\$2,860.00
P8286-18	8"	6"	18"	6"	1"	\$2,360.00	\$3,065.00
P8286-24	8"	6"	24"	6"	1"	\$2,420.00	\$3,150.00

OPTIONAL VARIATIONS	DESCRIPTION	LIST PRICE, TYPE 304 STAINLESS STEEL	LIST PRICE, TYPE 316 STAINLESS STEEL
-90	90 Degree Outlet	\$200.00	\$260.00

Design and dimensions are subject to modification. Prices do not include applicable taxes.

Visit www.mifab.com for the most recent product information.

MIFAB®, Inc., 1321 West 119th Street, Chicago, Illinois 60643-5109, USA

All sales subject to MIFAB's® Terms and Warranties. Please refer to inside back cover.

Toll Free: 1-800-465-2736, Fax: 1-773-341-3049
 sales@mifab.com Canada Toll Free: 1-800-387-3880

P8400 - Stainless Steel Fabricated Washing Machine Box

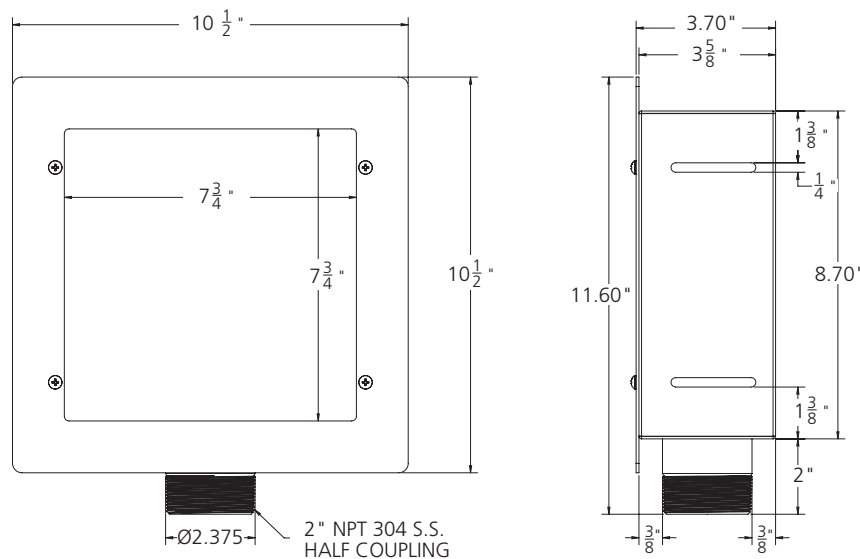
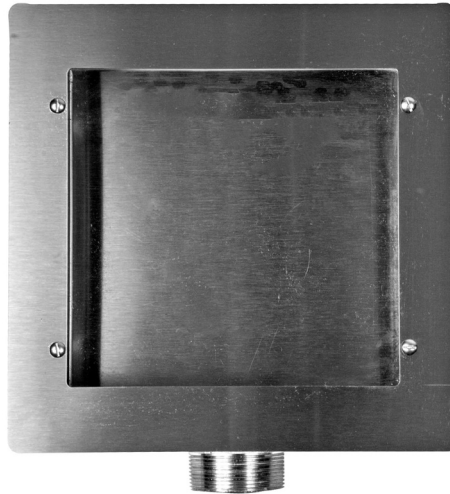
SPECIFICATION:

MIFAB® Series P8400 washing machine box manufactured out of 16 gauge, Type 304 stainless steel with mounting tabs and 2" NPT bottom outlet (Specify -90 for side inlet and -91 for top inlet).

FUNCTION:

Used to house the controls required to operate washing machines. Stainless steel construction provides an anti-microbial finish.

Note: Every order of this product is a special / custom order fabrication. This product is non returnable and noncancellable.



MODEL NUMBER	DESCRIPTION	LIST PRICE
P8400	Type 304, Stainless Steel Washing Machine Box	\$615.00
P8400-29	Type 316, Stainless Steel Washing Machine Box	\$795.00

OPTIONAL VARIATIONS	DESCRIPTION	LIST PRICE, TYPE 304 STAINLESS STEEL	LIST PRICE, TYPE 316 STAINLESS STEEL
-90	90 Degree Outlet	\$80.00	\$100.00
-91	Intlet on the top	\$80.00	\$100.00

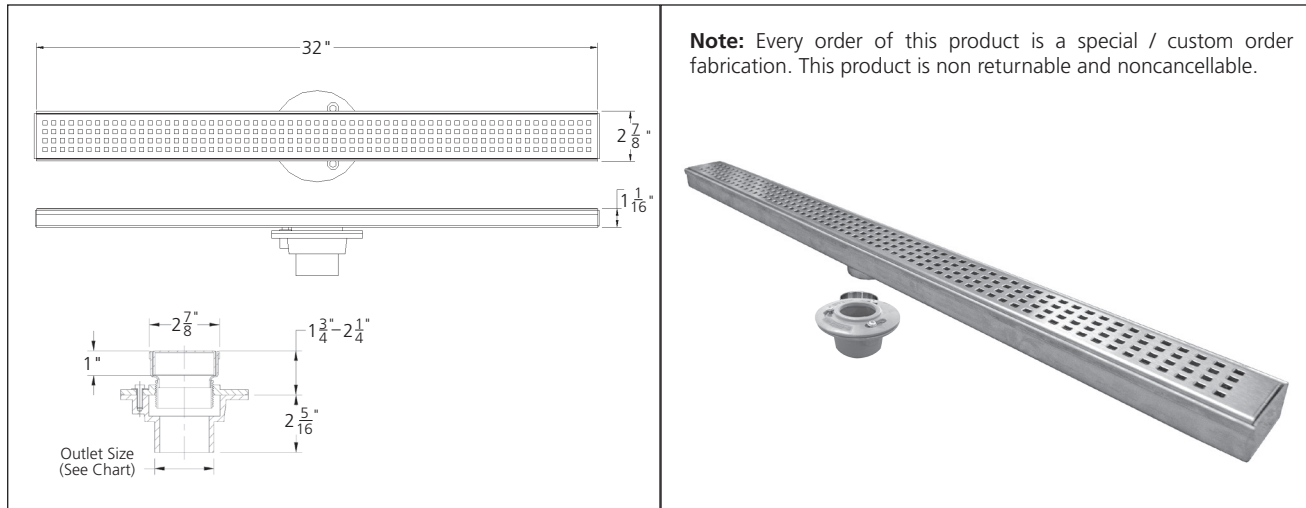
P9000 - 2 7/8" Wide, Stainless Steel Linear Shower Drain with Square Hole Grate Pattern and Flanged Bottom Outlet

SPECIFICATION:

MIFAB® Series P9000, 2 7/8" wide, 1 1/16" deep Type 304 (CF8) fabricated stainless steel linear shower drain. Complete with vertically adjustable top assembly and frame and 2" cast iron no hub center outlet connection with anchor flange and membrane clamp and light-duty satin finished stainless steel grate with square hole pattern.

FUNCTION:

Designed for installation in shower areas where a minimum of 2" (51) concrete pour is required. The drain can be adjusted upward to accommodate an additional 1" in height. The P9000 eliminates the need to slope the finished flooring in multiple directions. This allows the drainage of a larger floor surface area than typical shower drains. The floor can be pitched in one direction toward the linear shower drain. Type 304 construction provides anti-microbial resistance, durability and low maintenance.



Note: Every order of this product is a special / custom order fabrication. This product is non returnable and noncancellable.

MODEL NUMBER	DESCRIPTION	LIST PRICE
P9002-32	2 7/8" wide, Type 304 Stainless Steel Linear Shower Drain, 32" long, satin finish	\$530.00
P9002-36	2 7/8" wide, Type 304 Stainless Steel Linear Shower Drain, 36" long, satin finish	\$600.00
P9002-42	2 7/8" wide, Type 304 Stainless Steel Linear Shower Drain, 42" long, satin finish	\$630.00
P9002-48	2 7/8" wide, Type 304 Stainless Steel Linear Shower Drain, 48" long, satin finish	\$660.00
P9002-60	2 7/8" wide, Type 304 Stainless Steel Linear Shower Drain, 60" long, satin finish	\$800.00

Note: All grates are Load Class "A", "Light Duty" Grates.

OPTIONAL VARIATIONS	DESCRIPTION	LIST PRICE, TYPE 304 STAINLESS STEEL
-5	Hair Strainer	\$10.00
-CSM	Custom satin finish, stainless steel grate design and body dimensions	\$335.00 per 12"
-CSM-ORB	Custom oil rubbed bronze grate design and body dimensions	\$380.00 per 12"
-CSM-PS	Custom polished stainless steel grate design and body dimensions	\$380.00 per 12"
-ORB	Oil rubbed bronze grate finish, for 32" long shower drain	add \$65.00
	Oil rubbed bronze grate finish, for 36" long shower drain	add \$75.00
	Oil rubbed bronze grate finish, for 42" long shower drain	add \$95.00
	Oil rubbed bronze grate finish, for 48" long shower drain	add \$105.00
	Oil rubbed bronze grate finish, for 60" long shower drain	add \$130.00
-PS	Polished stainless steel grate finish, for 32" long shower drain	add \$65.00
	Polished stainless steel grate finish, for 36" long shower drain	add \$75.00
	Polished stainless steel grate finish, for 42" long shower drain	add \$95.00
	Polished stainless steel grate finish, for 48" long shower drain	add \$105.00
	Polished stainless steel grate finish, for 60" long shower drain	add \$130.00
T	2" Threaded body outlet connection with anchor flange and membrane clamp	\$50.00

Design and dimensions are subject to modification. Prices do not include applicable taxes.

Visit www.mifab.com for the most recent product information.

P9000-FL - 2 1/2" Wide, Stainless Steel Linear Shower Drain with Anchor Flange and Square Hole Grate Pattern

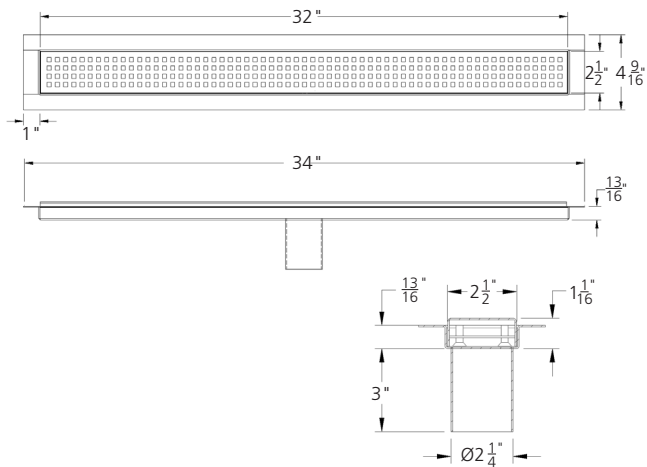
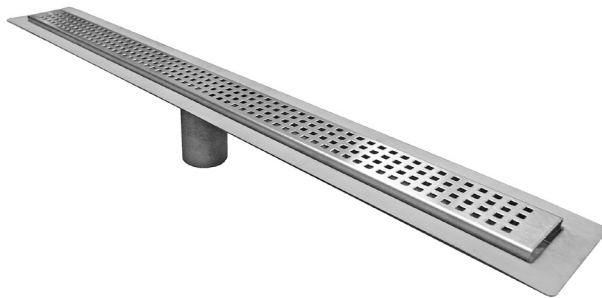
SPECIFICATION:

MIFAB® Series P9000-FL, 2 1/2" wide, 1 1/16" deep Type 304 (CF8) fabricated stainless steel linear shower drain. Complete with anchor flange and vertically adjustable top assembly and frame, 2" stainless steel no hub center outlet connection and light-duty satin finished stainless steel grate with square hole pattern.

FUNCTION:

Designed for installation in shower areas where a minimum of 2" (51) concrete pour is required. The drain can be adjusted upward to accommodate an additional 1/2" in height. The anchor flange allows for liquid / fabric waterproofing. The P9000-FL eliminates the need to slope the finished flooring in multiple directions. This allows the drainage of a larger floor surface area than typical shower drains. The floor can be pitched in one direction toward the linear shower drain. Type 304 construction provides anti-microbial resistance, durability and low maintenance.

Note: Every order of this product is a special / custom order fabrication. This product is non returnable and noncancellable.



MODEL NUMBER	DESCRIPTION	LIST PRICE
P9002-FL-24	2 1/2" wide, Type 304 Stainless Steel Linear Shower Drain with anchor flange, 24" long, satin finish	\$410.00
P9002-FL-32	2 1/2" wide, Type 304 Stainless Steel Linear Shower Drain with anchor flange, 32" long, satin finish	\$470.00
P9002-FL-36	2 1/2" wide, Type 304 Stainless Steel Linear Shower Drain with anchor flange, 36" long, satin finish	\$530.00
P9002-FL-42	2 1/2" wide, Type 304 Stainless Steel Linear Shower Drain with anchor flange, 42" long, satin finish	\$565.00
P9002-FL-48	2 1/2" wide, Type 304 Stainless Steel Linear Shower Drain with anchor flange, 48" long, satin finish	\$600.00
P9002-FL-60	2 1/2" wide, Type 304 Stainless Steel Linear Shower Drain with anchor flange, 60" long, satin finish	\$740.00

Note: All grates are Load Class "A", "Light Duty" Grates.

OPTIONAL VARIATIONS	DESCRIPTION	LIST PRICE, TYPE 304 STAINLESS STEEL
-5	Hair Strainer	\$10.00
-CSM	Custom satin finish, stainless steel grate design and body dimensions	\$295.00 per 12"
-CSM-ORB	Custom oil rubbed bronze grate design and body dimensions	\$315.00 per 12"
-CSM-PS	Custom polished stainless steel grate design and body dimensions	\$315.00 per 12"
-ORB	Oil rubbed bronze grate finish, for 24" long shower drain	add \$60.00
	Oil rubbed bronze grate finish, for 32" long shower drain	add \$60.00
	Oil rubbed bronze grate finish, for 36" long shower drain	add \$85.00
	Oil rubbed bronze grate finish, for 42" long shower drain	add \$95.00
	Oil rubbed bronze grate finish, for 48" long shower drain	add \$100.00
	Oil rubbed bronze grate finish, for 60" long shower drain	add \$125.00
-PS	Polished stainless steel grate finish, for 24" long shower drain	add \$60.00
	Polished stainless steel grate finish, for 32" long shower drain	add \$60.00
	Polished stainless steel grate finish, for 36" long shower drain	add \$85.00
	Polished stainless steel grate finish, for 42" long shower drain	add \$95.00
	Polished stainless steel grate finish, for 48" long shower drain	add \$100.00
	Polished stainless steel grate finish, for 60" long shower drain	add \$125.00

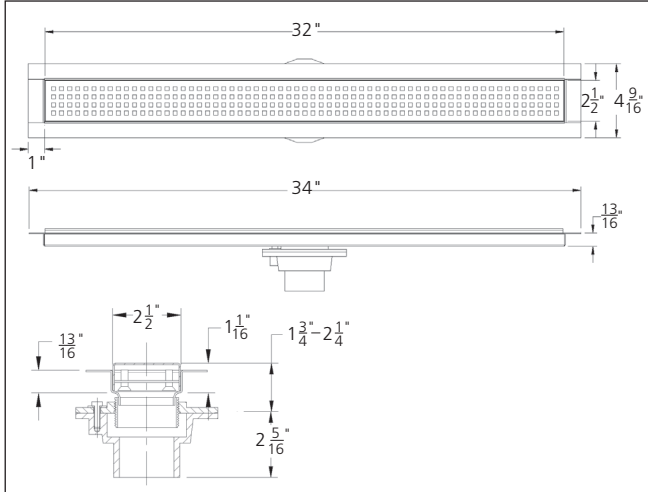
P9000-CFL - 2 1/2" Wide, Stainless Steel Linear Shower Drain with Anchor Flange, Square Hole Grate Pattern and Flanged Bottom Outlet

SPECIFICATION:

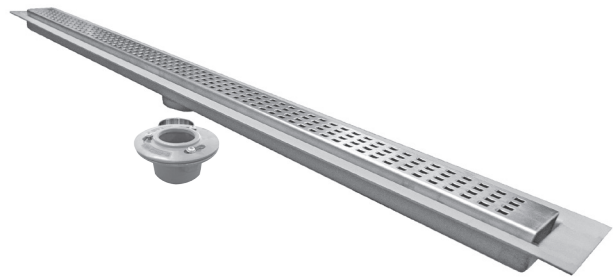
MIFAB® Series P9000-CFL, 2 1/2" wide, 1 1/16" deep Type 304 (CF8) fabricated stainless steel linear shower drain. Complete with vertically adjustable top assembly and frame and 2" cast iron no hub center outlet connection with anchor flange, membrane clamp and light-duty satin finished stainless steel grate with square hole pattern.

FUNCTION:

Designed for installation in shower areas where a minimum of 2" (51) concrete pour is required. The drain can be adjusted upward to accommodate an additional 1/2" in height. The anchor flange allows for liquid / fabric waterproofing. The P9000-CFL eliminates the need to slope the finished flooring in multiple directions. This allows the drainage of a larger floor surface area than typical shower drains. The floor can be pitched in one direction toward the linear shower drain. Type 304 construction provides anti-microbial resistance, durability and low maintenance.



Note: Every order of this product is a special / custom order fabrication. This product is non returnable and noncancellable.



MODEL NUMBER	DESCRIPTION	LIST PRICE
P9002-CFL-24	2 1/2" wide, Type 304 Stainless Steel Linear Shower Drain with anchor flange, 24" long, satin finish	\$470.00
P9002-CFL-32	2 1/2" wide, Type 304 Stainless Steel Linear Shower Drain with anchor flange, 32" long, satin finish	\$530.00
P9002-CFL-36	2 1/2" wide, Type 304 Stainless Steel Linear Shower Drain with anchor flange, 36" long, satin finish	\$600.00
P9002-CFL-42	2 1/2" wide, Type 304 Stainless Steel Linear Shower Drain with anchor flange, 42" long, satin finish	\$630.00
P9002-CFL-48	2 1/2" wide, Type 304 Stainless Steel Linear Shower Drain with anchor flange, 48" long, satin finish	\$660.00
P9002-CFL-60	2 1/2" wide, Type 304 Stainless Steel Linear Shower Drain with anchor flange, 60" long, satin finish	\$800.00

Note: All grates are Load Class "A", "Light Duty" Grates.

OPTIONAL VARIATIONS	DESCRIPTION	LIST PRICE, TYPE 304 STAINLESS STEEL
-5	Hair Strainer	\$10.00
-CSM	Custom satin finish, stainless steel grate design and body dimensions	\$315.00 per 12"
-CSM-ORB	Custom oil rubbed bronze grate design and body dimensions	\$335.00 per 12"
-CSM-PS	Custom polished stainless steel grate design and body dimensions	\$335.00 per 12"
-ORB	Oil rubbed bronze grate finish, for 24" long shower drain	add \$95.00
	Oil rubbed bronze grate finish, for 32" long shower drain	add \$95.00
	Oil rubbed bronze grate finish, for 36" long shower drain	add \$110.00
	Oil rubbed bronze grate finish, for 42" long shower drain	add \$125.00
	Oil rubbed bronze grate finish, for 48" long shower drain	add \$140.00
	Oil rubbed bronze grate finish, for 60" long shower drain	add \$160.00
-PS	Polished stainless steel grate finish, for 24" long shower drain	No add
	Polished stainless steel grate finish, for 32" long shower drain	No add
	Polished stainless steel grate finish, for 36" long shower drain	No add
	Polished stainless steel grate finish, for 42" long shower drain	No add
	Polished stainless steel grate finish, for 48" long shower drain	No add
	Polished stainless steel grate finish, for 60" long shower drain	No add
T	2" Threaded body outlet connection with anchor flange and membrane clamp	\$50.00

Design and dimensions are subject to modification. Prices do not include applicable taxes.

Visit www.mifab.com for the most recent product information.

MIFAB®, Inc., 1321 West 119th Street, Chicago, Illinois 60643-5109, USA

All sales subject to MIFAB's® Terms and Warranties. Please refer to inside back cover.

Toll Free: 1-800-465-2736, Fax: 1-773-341-3049
 sales@mifab.com Canada Toll Free: 1-800-387-3880

P9000-FL-SO - 2 1/2" Wide, Stainless Steel Linear Shower Drain with Anchor Flange, Square Hole Grate Pattern and Side Outlet

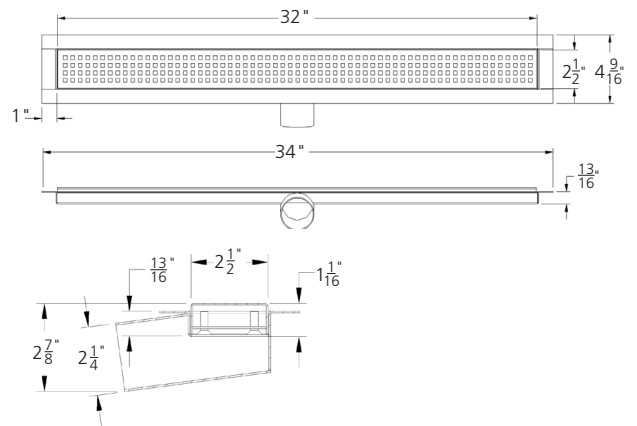
SPECIFICATION:

MIFAB® Series P9000-FL-SO, 2 1/2" wide, 1 1/16" deep Type 304 (CF8) fabricated stainless steel linear shower drain. Complete with anchor flange and vertically adjustable top assembly and frame, 2" stainless steel no hub side outlet connection and light-duty satin finished stainless steel grate with square hole pattern.

FUNCTION:

Designed for installation in shower areas where a minimum of 2" (51) concrete pour is required. The drain can be adjusted upward to accommodate an additional 1/2" in height. The anchor flange allows for liquid / fabric waterproofing. The P9000-FL-SO eliminates the need to slope the finished flooring in multiple directions. This allows the drainage of a larger floor surface area than typical shower drains. The floor can be pitched in one direction toward the linear shower drain. Type 304 construction provides anti-microbial resistance, durability and low maintenance.

Note: Every order of this product is a special / custom order fabrication. This product is non returnable and noncancellable.



MODEL NUMBER	DESCRIPTION	LIST PRICE
P9002-FL-SO-24	2 1/2" wide, Type 304 Stainless Steel Linear Shower Drain with side outlet, anchor flange and 24" long, satin finish	\$550.00
P9002-FL-SO-32	2 1/2" wide, Type 304 Stainless Steel Linear Shower Drain with side outlet, anchor flange and 32" long, satin finish	\$610.00
P9002-FL-SO-36	2 1/2" wide, Type 304 Stainless Steel Linear Shower Drain with side outlet, anchor flange and 36" long, satin finish	\$675.00
P9002-FL-SO-42	2 1/2" wide, Type 304 Stainless Steel Linear Shower Drain with side outlet, anchor flange and 42" long, satin finish	\$710.00
P9002-FL-SO-48	2 1/2" wide, Type 304 Stainless Steel Linear Shower Drain with side outlet, anchor flange and 48" long, satin finish	\$740.00
P9002-FL-SO-60	2 1/2" wide, Type 304 Stainless Steel Linear Shower Drain with side outlet, anchor flange and 60" long, satin finish	\$885.00

Note: All grates are Load Class "A", "Light Duty" Grates.

OPTIONAL VARIATIONS	DESCRIPTION	LIST PRICE, TYPE 304 STAINLESS STEEL
-5	Hair Strainer	\$10.00
-CSM	Custom satin finish, stainless steel grate design and body dimensions	\$335.00 per 12"
-CSM-ORB	Custom oil rubbed bronze grate design and body dimensions	\$355.00 per 12"
-CSM-PS	Custom polished stainless steel grate design and body dimensions	\$355.00 per 12"
-ORB	Oil rubbed bronze grate finish, for 24" long shower drain	add \$65.00
	Oil rubbed bronze grate finish, for 32" long shower drain	add \$65.00
	Oil rubbed bronze grate finish, for 36" long shower drain	add \$85.00
	Oil rubbed bronze grate finish, for 42" long shower drain	add \$90.00
	Oil rubbed bronze grate finish, for 48" long shower drain	add \$105.00
	Oil rubbed bronze grate finish, for 60" long shower drain	add \$125.00
-PS	Polished stainless steel grate finish, for 24" long shower drain	add \$65.00
	Polished stainless steel grate finish, for 32" long shower drain	add \$65.00
	Polished stainless steel grate finish, for 36" long shower drain	add \$85.00
	Polished stainless steel grate finish, for 42" long shower drain	add \$90.00
	Polished stainless steel grate finish, for 48" long shower drain	add \$105.00
	Polished stainless steel grate finish, for 60" long shower drain	add \$125.00

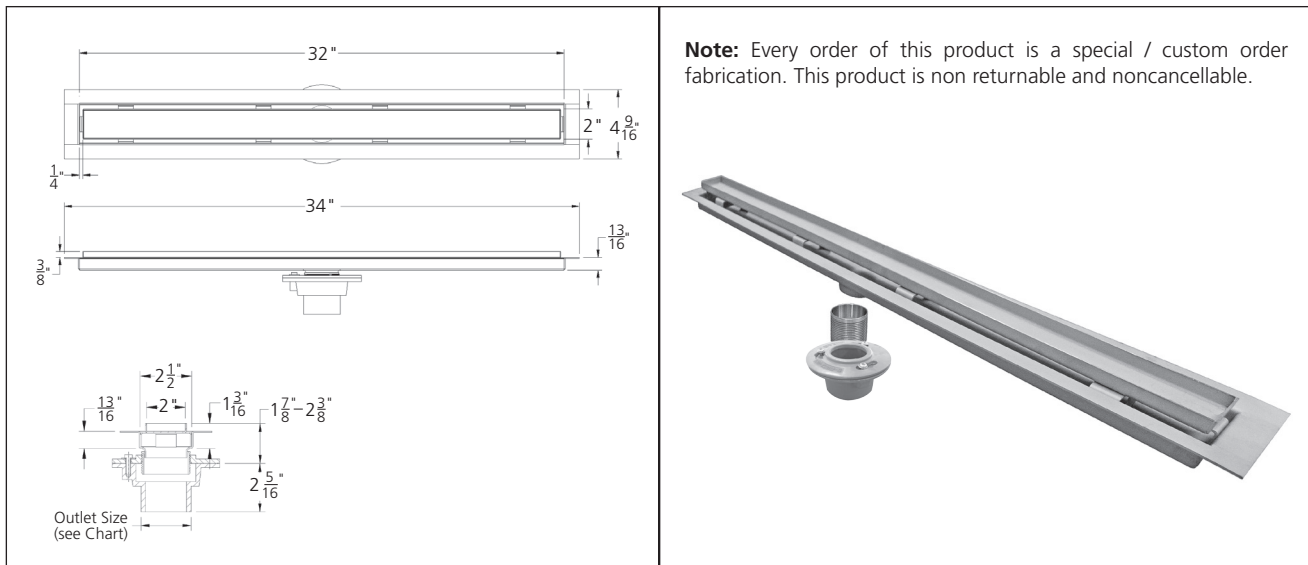
P9000-TI-FL - 2 1/2" Wide, Stainless Steel Linear Shower Drain with Anchor Flange, Tile Insert and Flanged Bottom Outlet

SPECIFICATION:

MIFAB® Series P9000-TI-FL, 2 1/2" wide, 1 3/16" deep Type 304 (CF8) fabricated stainless steel linear shower drain with anchor flange. Complete with 2" cast iron no hub center outlet connection with anchor flange, membrane clamp and recessed tile insert frame.

FUNCTION:

Designed for installation in shower areas where a minimum of 2" (51) concrete pour is required. The anchor flange allows for liquid / fabric waterproofing. The P9000-TI-FL eliminates the need to slope the finished flooring in multiple directions. This allows the drainage of a larger floor surface area than typical shower drains. The floor can be pitched in one direction toward the linear shower drain. Type 304 construction provides anti-microbial resistance, durability and low maintenance. Recessed tile insert frame allows for tile to be inserted - to minimize the appearance of the drain.



MODEL NUMBER	DESCRIPTION	LIST PRICE
P9002-TI-FL-24	2 1/2" wide, Type 304 Stainless Steel Linear Shower Drain with anchor flange, 24" long, tile insert	\$690.00
P9002-TI-FL-32	2 1/2" wide, Type 304 Stainless Steel Linear Shower Drain with anchor flange, 32" long, tile insert	\$715.00
P9002-TI-FL-36	2 1/2" wide, Type 304 Stainless Steel Linear Shower Drain with anchor flange, 36" long, tile insert	\$810.00
P9002-TI-FL-42	2 1/2" wide, Type 304 Stainless Steel Linear Shower Drain with anchor flange, 42" long, tile insert	\$850.00
P9002-TI-FL-48	2 1/2" wide, Type 304 Stainless Steel Linear Shower Drain with anchor flange, 48" long, tile insert	\$900.00
P9002-TI-FL-60	2 1/2" wide, Type 304 Stainless Steel Linear Shower Drain with anchor flange, 60" long, tile insert	\$1,085.00

Note: All grates are Load Class "A", "Light Duty" Grates.

OPTIONAL VARIATIONS	DESCRIPTION	LIST PRICE, TYPE 304 STAINLESS STEEL
-5	Hair Strainer	\$10.00
-CSM	Custom tile insert design and body dimensions	\$335.00 per 12"
T	2" Threaded body outlet connection with anchor flange and membrane clamp	\$50.00

P9000-TI-CFL - 2 1/2" Wide, Stainless Steel Linear Shower Drain with Anchor Flange and Tile Insert


SPECIFICATION:

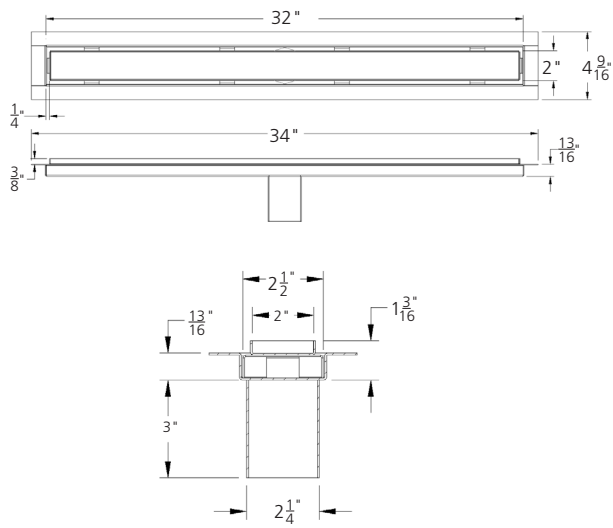
MIFAB® Series P9000-TI-CFL, 2 1/2" wide, 1 3/16" deep Type 304 (CF8) fabricated stainless steel linear shower drain with anchor flange. Complete with 2" cast iron no hub center outlet connection with anchor flange and membrane clamp and recessed tile insert frame.

FUNCTION:

Designed for installation in shower areas where a minimum of 2" (51) concrete pour is required. The anchor flange allows for liquid / fabric waterproofing. The P9000-TI-FL eliminates the need to slope the finished flooring in multiple directions. This allows the drainage of a larger floor surface area than typical shower drains. The floor can be pitched in one direction toward the linear shower drain. Type 304 construction provides anti-microbial resistance, durability and low maintenance. Recessed tile insert frame allows for tile to be inserted - to minimize the appearance of the drain.

Note: Every order of this product is a special / custom order fabrication. This product is non returnable and noncancellable.





MODEL NUMBER	DESCRIPTION	LIST PRICE
P9002-TI-CFL-24	2 1/2" wide, Type 304 Stainless Steel Linear Shower Drain with anchor flange, 24" long, tile insert	\$690.00
P9002-TI-CFL-32	2 1/2" wide, Type 304 Stainless Steel Linear Shower Drain with anchor flange, 32" long, tile insert	\$715.00
P9002-TI-CFL-36	2 1/2" wide, Type 304 Stainless Steel Linear Shower Drain with anchor flange, 36" long, tile insert	\$810.00
P9002-TI-CFL-42	2 1/2" wide, Type 304 Stainless Steel Linear Shower Drain with anchor flange, 42" long, tile insert	\$850.00
P9002-TI-CFL-48	2 1/2" wide, Type 304 Stainless Steel Linear Shower Drain with anchor flange, 48" long, tile insert	\$900.00
P9002-TI-CFL-60	2 1/2" wide, Type 304 Stainless Steel Linear Shower Drain with anchor flange, 60" long, tile insert	\$1,085.00

Note: All grates are Load Class "A", "Light Duty" Grates.

OPTIONAL VARIATIONS	DESCRIPTION	LIST PRICE, TYPE 304 STAINLESS STEEL
-5	Hair Strainer	\$10.00
-CSM	Custom tile insert design and body dimensions	\$335.00 per 12"

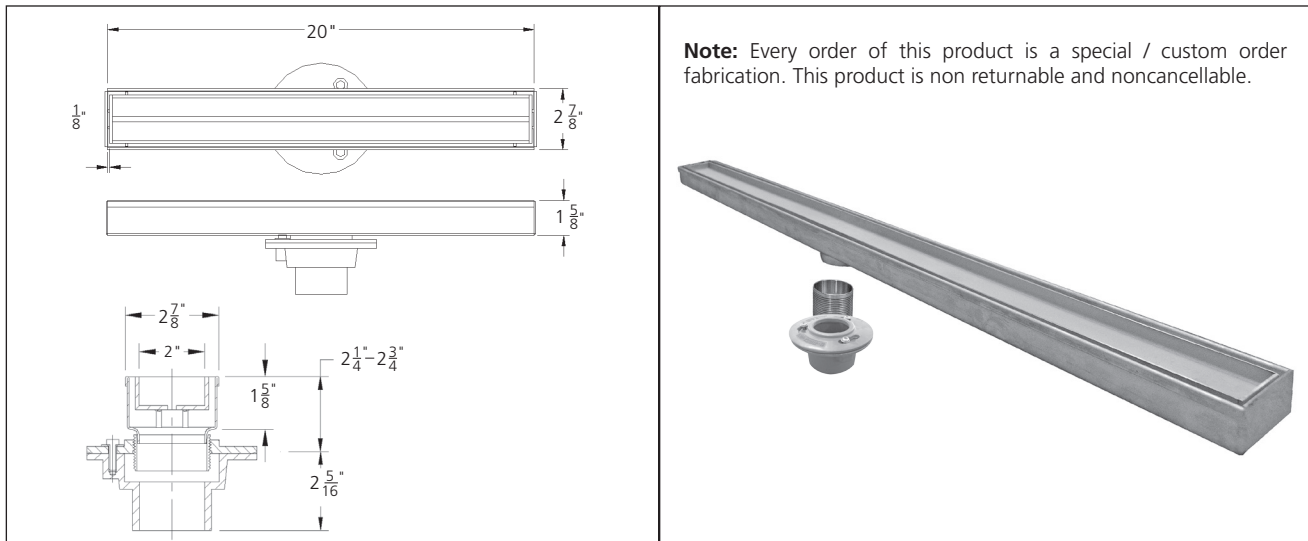
P9000-TI - 2 7/8" Wide, Stainless Steel Linear Shower Drain with Tile Insert and Flanged Bottom Outlet

SPECIFICATION:

MIFAB® Series P9000-TI, 2 7/8" wide, 1 5/8" deep Type 304 (CF8) fabricated stainless steel linear shower drain. Complete with 2" cast iron no hub center outlet connection with anchor flange, membrane clamp and recessed tile insert frame.

FUNCTION:

Designed for installation in shower areas where a minimum of 2" (51) concrete pour is required. The drain can be adjusted upward to accommodate an additional 1" in height. The P9000-TI eliminates the need to slope the finished flooring in multiple directions. This allows the drainage of a larger floor surface area than typical shower drains. The floor can be pitched in one direction toward the linear shower drain. Type 304 construction provides anti-microbial resistance, durability and low maintenance. Recessed tile insert frame allows for tile to be inserted - to minimize the appearance of the drain.



Note: Every order of this product is a special / custom order fabrication. This product is non returnable and noncancellable.

MODEL NUMBER	DESCRIPTION	LIST PRICE
P9002-TI-24	2 7/8" wide, Type 304 Stainless Steel Linear Shower Drain, 24" long, tile insert	\$690.00
P9002-TI-32	2 7/8" wide, Type 304 Stainless Steel Linear Shower Drain, 32" long, tile insert	\$715.00
P9002-TI-36	2 7/8" wide, Type 304 Stainless Steel Linear Shower Drain, 36" long, tile insert	\$810.00
P9002-TI-42	2 7/8" wide, Type 304 Stainless Steel Linear Shower Drain, 42" long, tile insert	\$850.00
P9002-TI-48	2 7/8" wide, Type 304 Stainless Steel Linear Shower Drain, 48" long, tile insert	\$900.00
P9002-TI-60	2 7/8" wide, Type 304 Stainless Steel Linear Shower Drain, 60" long, tile insert	\$1,085.00

Note: All grates are Load Class "A", "Light Duty" Grates.

OPTIONAL VARIATIONS	DESCRIPTION	LIST PRICE, TYPE 304 STAINLESS STEEL
-5	Hair Strainer	\$10.00
-CSM	Custom tile insert design and body dimensions	\$335.00 per 12"
T	2" Threaded body outlet connection with anchor flange and membrane clamp	\$50.00

P9000-TI-SO - 2 1/2" Wide, Stainless Steel Linear Shower Drain with Anchor Flange, Tile Insert and Side Outlet

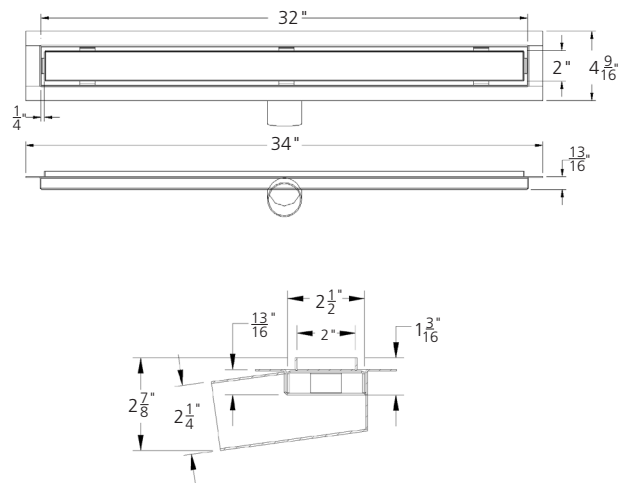
SPECIFICATION:

MIFAB® Series P9000-TI-SO, 2 1/2" wide, 1 3/16" deep Type 304 (CF8) fabricated stainless steel linear shower drain with anchor flange. Complete with vertically adjustable top assembly and frame, 2" stainless steel no hub side outlet connection and recessed tile insert frame.

FUNCTION:

Designed for installation in shower areas where a minimum of 2" (51) concrete pour is required. The anchor flange allows for liquid / fabric waterproofing. The P9000-TI-SO eliminates the need to slope the finished flooring in multiple directions. This allows the drainage of a larger floor surface area than typical shower drains. The floor can be pitched in one direction toward the linear shower drain. Type 304 construction provides anti-microbial resistance, durability and low maintenance. Recessed tile insert frame allows for tile to be inserted - to minimize the appearance of the drain.

Note: Every order of this product is a special / custom order fabrication. This product is non returnable and noncancellable.

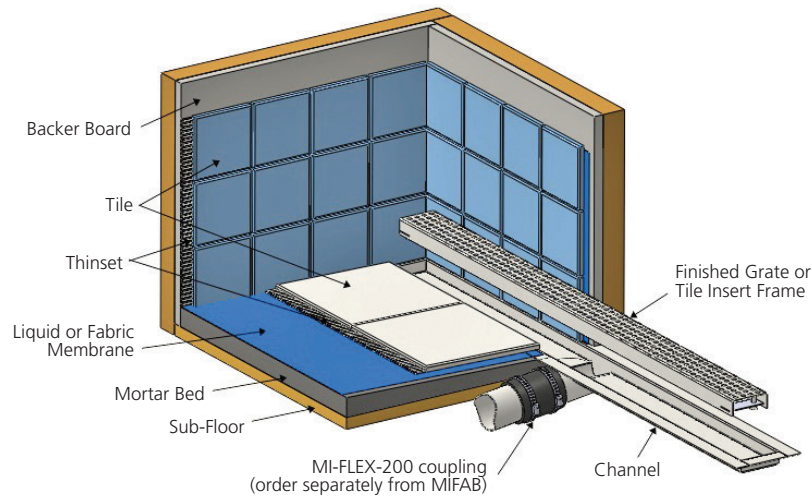


MODEL NUMBER	DESCRIPTION	LIST PRICE
P9002-TI-SO-24	2 1/2" wide, Type 304 Stainless Steel Linear Shower Drain with anchor flange, side outlet and 24" long, tile insert	\$660.00
P9002-TI-SO-32	2 1/2" wide, Type 304 Stainless Steel Linear Shower Drain with anchor flange, side outlet and 32" long, tile insert	\$690.00
P9002-TI-SO-36	2 1/2" wide, Type 304 Stainless Steel Linear Shower Drain with anchor flange, side outlet and 36" long, tile insert	\$780.00
P9002-TI-SO-42	2 1/2" wide, Type 304 Stainless Steel Linear Shower Drain with anchor flange, side outlet and 42" long, tile insert	\$825.00
P9002-TI-SO-48	2 1/2" wide, Type 304 Stainless Steel Linear Shower Drain with anchor flange, side outlet and 48" long, tile insert	\$865.00
P9002-TI-SO-60	2 1/2" wide, Type 304 Stainless Steel Linear Shower Drain with anchor flange, side outlet and 60" long, tile insert	\$1,055.00

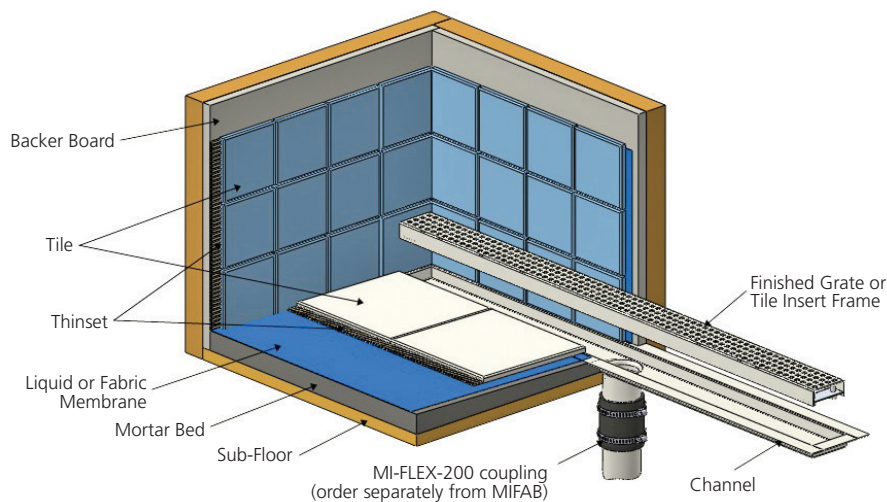
Note: All grates are Load Class "A", "Light Duty" Grates.

OPTIONAL VARIATIONS	DESCRIPTION	LIST PRICE, TYPE 304 STAINLESS STEEL
-5	Hair Strainer	\$10.00
-CSM	Custom tile insert design and body dimensions	\$360.00 per 12"

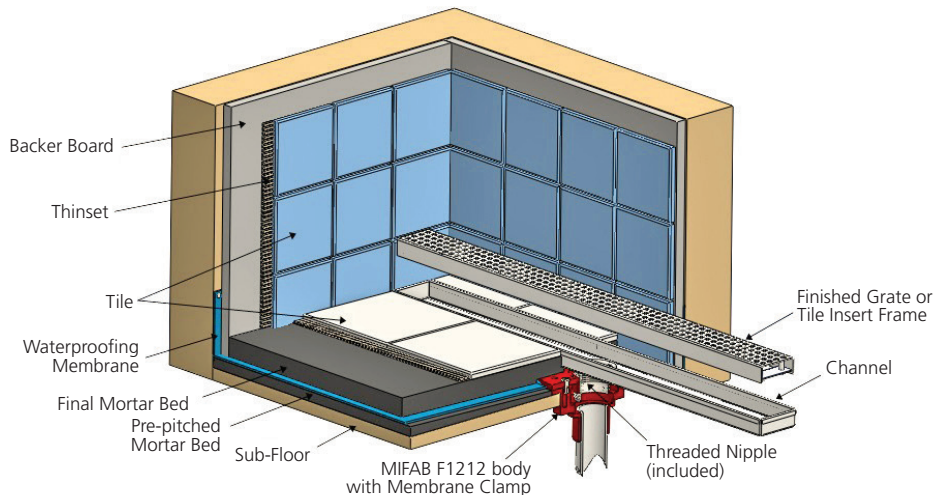
P9000-FL-SO and P9000-TI-SO Installation Detail



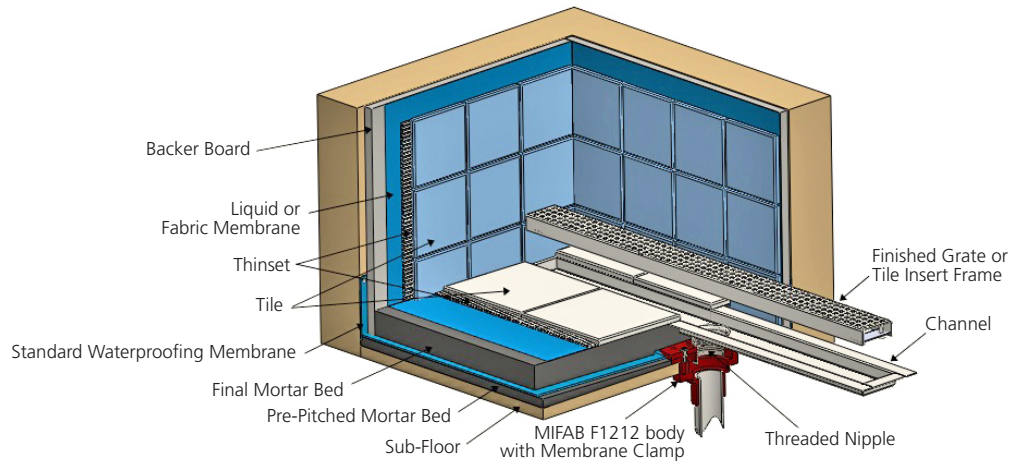
P9000-FL, P9000-TI-CFL Installation Detail with modern waterproofing



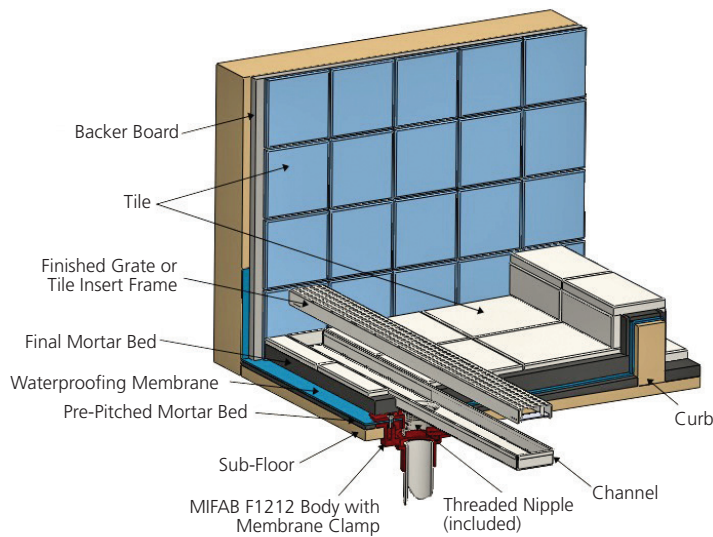
P9000 and P9000-TI Installation Detail with standard waterproofing & standard wall conditions



P9000-CFL and P9000-TI-FL double waterproofing installation detail. Liquid / fabric and standard waterproofing with clamping floor drain.

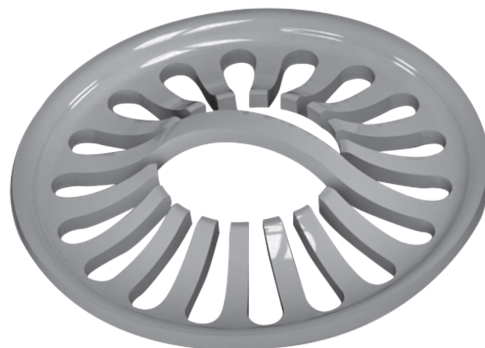


P9000 and P9000-TI Installation Detail with standard waterproofing to accommodate threshold in shower



(Threshold Install Shown)

Optional Hair Strainer Illustrated (Suffix -5)



TERMS AND WARRANTIES

WHOLESALE DISCOUNT:

Contact MIFAB® or your local representative for your applicable discount structure.

FREIGHT ALLOWANCE: Ex Works, MIFAB's Chicago, Illinois Factory or Manufacturer Representative's warehouse with full motor freight allowed on shipments of \$5000.00 Net or more, within the continental U.S.A. and Canada, except Alaska, Hawaii and Puerto Rico. MIFAB reserves the right to choose the carrier and route of shipment. Alaska: Ex Works, Seattle, WA. Hawaii: Freight allowed on shipments of \$5,000.00 or more only when shipped from West Coast, U.S. Puerto Rico: Ex Works, Miami, Florida. There is no allowance for United Parcel Service, Federal Express or Shipment by air service. Full motor freight is allowed on shipments of \$1,500.00 Net or more, within the continental U.S.A. and Canada for any combination of BEECO, Counterline, No Hub Coupling, Trench Drain, Access Door and Trap Seal Primer products. Shipping dates are estimates and time of delivery is not the essence of the sale of the contract. Therefore, under no circumstances will MIFAB® have any responsibility on account of any delays in manufacture, transportation, or otherwise. Additional freight services such as construction site delivery, lift gate delivery service, re-consigned freight or notification charges, are not included in full freight allowance terms, and will result in additional freight charges.

QUOTATION TERMS: List Price and discount protected for 30 days from date issued by MIFAB®. Orders received within this period must be released for shipment within 30 days from date of purchase order, otherwise, prices will be those that are in effect at the time of shipment.

PAYMENT TERMS: Terms of payment are Net 30 days from the date of the invoice. All pricing in United States currency except for sales to Canadian customers which are priced in Canadian dollars. The Buyer shall pay all sales, consumers, and / or any other applicable taxes. Past due accounts will be subject to a 2% per month service charge from the date of the invoice. If any proceedings be instructed by or against Buyer under any bankruptcy or insolvency law, or if Buyer shall fail to make timely payment on this or any other order, or if, in MIFAB's judgment, Buyer's financial situation justifies such action, MIFAB® may, at its election, require payment in advance or cancel the order as to any unshipped item and require payment of its reasonable cancellation charges. If Buyer delays completion of manufacture, MIFAB® may elect to require payment according to percentage of completion. Equipment held for Buyer shall be at Buyer's risk and expense. In all cases, regardless of partial payment, title to the Products shall remain with MIFAB® until payment for the Products (including any notes given therefore) has been made in full. Should legal action be necessary to enforce payment of an unpaid invoice, the Buyer will assume full responsibility for any court costs and reasonable attorney fees. All orders subject to credit check and approval prior to shipment. Confirmed irrevocable letter of credit or cash in advance of shipment is required for accounts without an established line of credit. Minimum invoice amount is \$100.00. MIFAB® reserves the right to apply a minimum order charge to equal \$100.00. MIFAB's Accounting Department must be notified of potential pricing errors within 30 days of the invoice date. Any terms and conditions stated on Buyer's orders which are inconsistent with MIFAB's quotation and Terms and Warranties shall be of no effect.

RETURNED GOODS RESTOCKING CHARGE: Standard product may be returned within a one year period only with written permission from MIFAB®. All products in catalog are not considered Standard. Standard product to be determined by MIFAB®. Returned goods are subject to a 25% restocking charge, plus cost of reconditioning, if necessary, to make material saleable. Material must be returned to MIFAB® freight prepaid only after written permission from MIFAB® to accept the returned material. Buyer must provide copy of the original invoice on which the material was charged. The original outgoing freight cost to ship the order will be deducted from the credit. Credit allowance will be in the form of merchandise credit only-not cash credit which must be used within 12 months of the date of issue. The value of a return must total \$100.00 to qualify for credit allowance. No credit will be allowed for auxiliary tappings, discontinued, or made to order items. Products designated non stock and / or that have been specially made (require a sign off drawing by MIFAB®) are not subject to return or cancellation.

LIMITED WARRANTY: MIFAB® warrants each product against defects in material and workmanship for a period of one year from the date of original shipment. In the event of such defects within the warranty period, MIFAB® will, at its option, replace or recondition the product without charge. This shall constitute the exclusive remedy for breach of warranty, and MIFAB® shall not be responsible for any incidental or consequential damages, including, without limitation, damages or other costs resulting from labor charges, delays, vandalism, negligence, fouling caused by foreign material, damage from adverse water conditions, chemicals, or any other circumstances over which MIFAB® has no control. This warranty shall be invalidated by any abuse, misuse, misapplication or improper installation of the product.

MIFAB® MAKES NO OTHER WARRANTIES EXPRESSED OR IMPLIED AS PROVIDED IN THIS LIMITED WARRANTY.

ILLUSTRATIONS OR TYPICAL INSTALLATIONS: The typical installations for various products in each product section are intended to illustrate the products and their options. Under no circumstances are they to be construed as recommended installation procedures. Consult local codes and project specifications for proper installation instructions.

ALL SALES SUBJECT TO MIFAB's TERMS AND WARRANTIES.

NOTE: Prices and terms are subject to change without notice and supersede all previous quotations. The right is reserved to change or modify product design or construction without prior notice and without incurring any obligation to make similar changes and modifications to product previously or subsequently sold. Contact MIFAB® for any clarification.

CONTENTS © MIFAB® INC. Copyright 2016



www.mifab.com

TDSS-2016



Use the QR Code to
download a digital copy of this
catalog to your mobile device

Stainless Steel Trench Drains

LIT-072