

Location: \_\_\_\_\_



# T3000-PB-13

**12" Glass Reinforced Polyester (GRP) Channel with Galvanized Galvanized Steel Integral Rail**

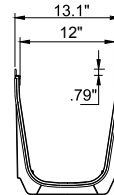
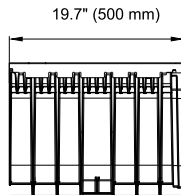
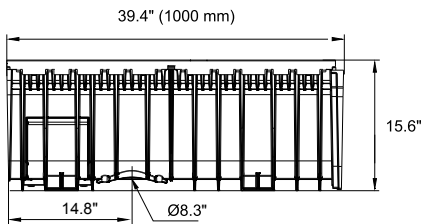
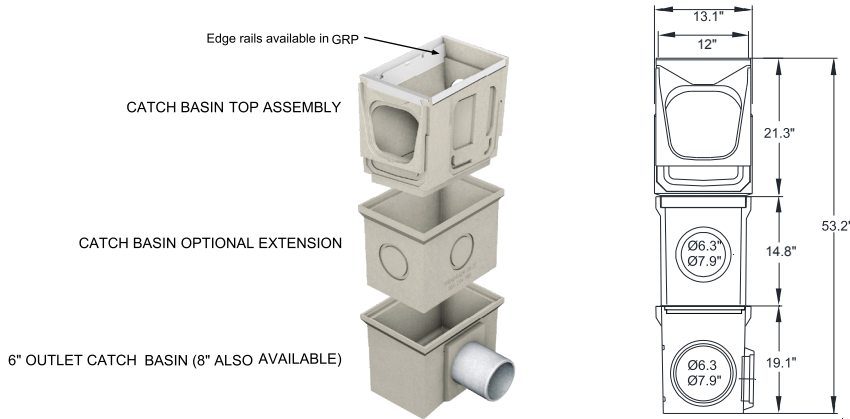
**Specification:** MIFAB® T3000-PB-13 series channels shall be 39.4" (1000 mm) long with a 12" (300 mm) internal width and radius bottom. Interconnecting channel sections are made of high strength Glass Fiber Reinforced Polyester (GRP) and available in non-sloping (neutral) channels. Each channel comes with galvanized edge rail. Directional Change Channels available at neutral locations. MIFAB's GRP channels are designed with a sealant groove in accordance with the EN1433 Standard, Section 7.5 - Connecting Channel Elements. This Standard requires all channels to have the joint between channels to be designed in such a way that it can be permanently sealed. Sealant manufacturers recommend a 3/8" bead, which the MIFAB GRP conforms to.



Installation devices, plastic end cap/outlet cap, catch basins and bottom outlets are available accessories. Grates (separate Specification Sheets) are available in in Load Class A-E in a variety of materials. Grates utilize the patented "Clipfix" locking mechanism.

Channel Model #	BODY TYPE	INVERT BODY DEPTH		OVERALL BODY DEPTH		MAXIMUM FLOW RATE	WEIGHT (LESS GRATE)	
		Neutral - 0%	E1 (Min.)	E2 (Max.)	E1 (Min.)	E2 (Max.)	GPM	Lbs.
T3000N-PB-13	Neutral		14.17"	14.17"	15.63"	15.63"	3245	26.01
T3000N-PB-500-13	Neutral		14.17"	14.17"	15.63"	15.63"	3245	15.12
T3000N-PB-500-DC-13	Neutral		14.17"	14.17"	15.63"	15.63"	3245	15.12

### T3000-CB1220-13 CATCH BASIN Sediment bucket included



#### CLIPFIX ADVANTAGE

The MEA Glass Fiber Reinforced Polyester (GRP) channels have been designed for our universal CLIPFIX grate locking mechanism. The system (channel and grate) provide longitudinal shift protection.

CALIFORNIA PROPOSITION 65 WARNING. This product contains chemicals known to the State of California to cause cancer and birth defects or other reproductive harm.

Job Name: \_\_\_\_\_

Page No: \_\_\_\_\_

Section No: \_\_\_\_\_

Contractor: \_\_\_\_\_

Schedule No: \_\_\_\_\_

Purchase Order No: \_\_\_\_\_