

Location:



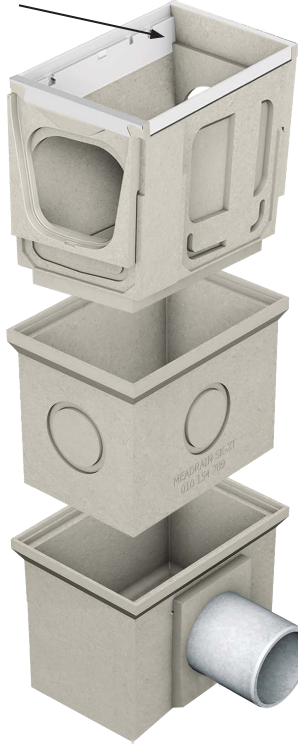
T3000-CB1220 and T3000-CB1220-13 Catch Basin



Specification:

MIFAB®'s T3000-CB1220 Catch Basin shall be 19.7”(500mm) long with a 12” (300mm) internal width. Catch basin with optional extension is 40” deep. It is available with a 6” or 8” outlet. The catch basin is made from polymer concrete. Each catch basin comes with either no edge rail or galvanized edge rail. The catch basins achieve Load Class A-E depending on the grate utilized.

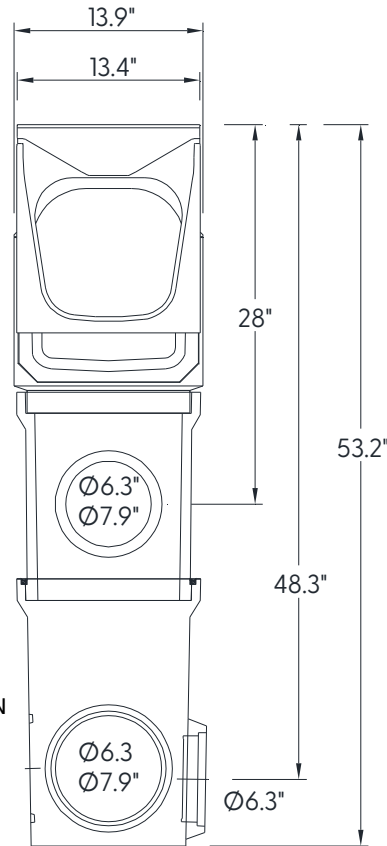
Edge rails available in GRP and galvanized steel



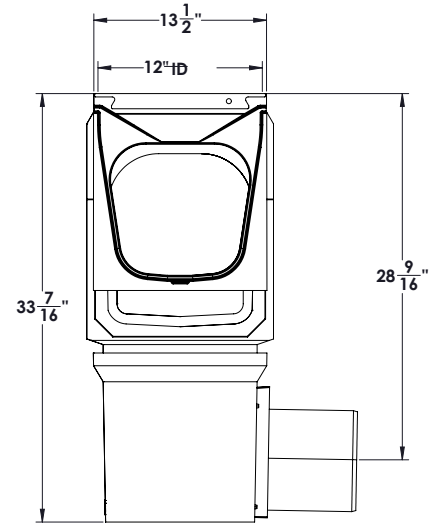
CATCH BASIN
TOP ASSEMBLY

CATCH BASIN
OPTIONAL EXTENSION

6" OUTLET CATCH BASIN
(8" ALSO AVAILABLE)



CATCH BASIN WITHOUT
OPTIONAL EXTENSION



| NO EDGE INTEGRAL RAILS | GALVANIZED STEEL INTEGRAL RAILS |
|------------------------|---------------------------------|
| T3000-CB1220 | T3000-CB1220-13 |

| | |
|--------------------|--------------------------|
| Job Name: _____ | Page No: _____ |
| Section No: _____ | Contractor: _____ |
| Schedule No: _____ | Purchase Order No: _____ |

Revision Date: 2024-03-05

CALIFORNIA PROPOSITION 65 WARNING. This product contains chemicals known to the State of California to cause cancer and birth defects or other reproductive harm.

MIFAB reserves the right to make changes in material and design without formal notice and obligation. USA: 1-800-465-2736 www.mifab.com CAN: 1-800-387-3880