

Location: _____

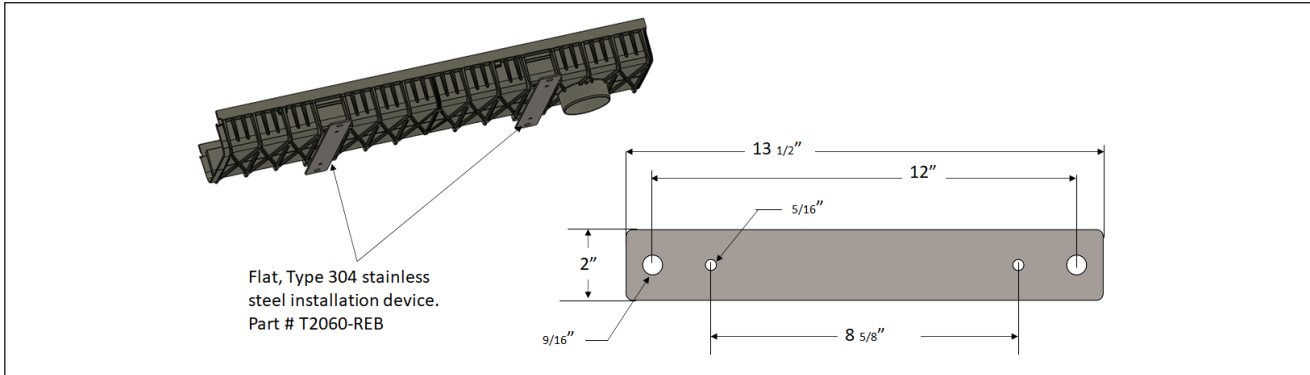


T2060N-REB

INSTALLATION DEVICE FOR ALL T2060N GRP CHANNELS

Specification: MIFAB® T2060N-REB Type 304 stainless steel installation device with mounting holes.

Function: Used to secure the T2060N shallow channels to decking. Holes are provided with the T2060N-REB to bolt to the underside of the T2060N channels and also to secure to the decking.

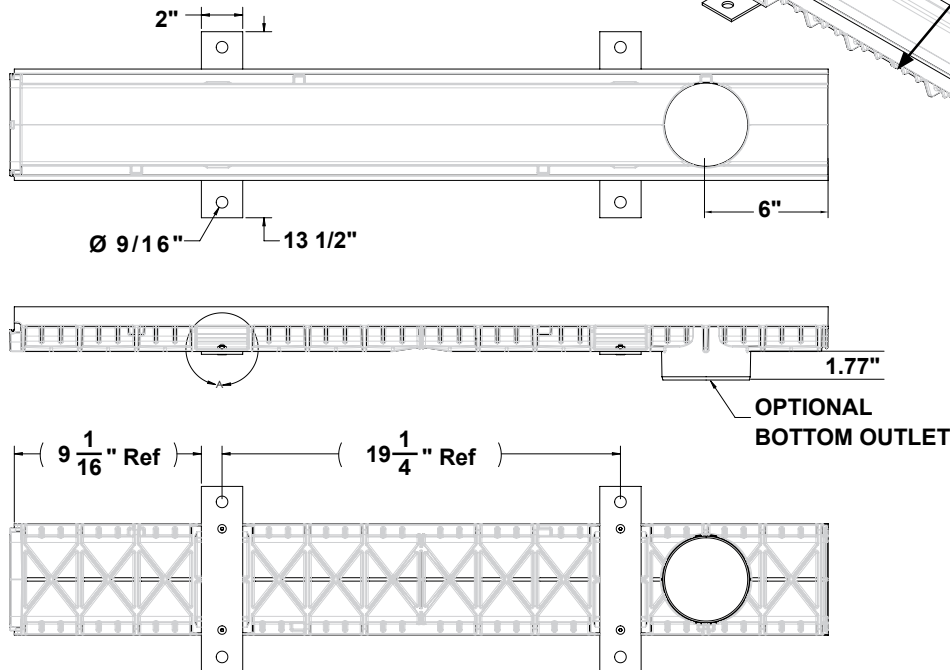


Installation Device for shallow T2060N channels

Meets the Buy America Act

Each rebar support is attached to channel with couple 1/4"X20 screws and nuts

T2060N-PB shallow channels - only 3.54" deep



CALIFORNIA PROPOSITION 65 WARNING. This product contains chemicals known to the State of California to cause cancer and birth defects or other reproductive harm.

Job Name: _____ Page No: _____

Section No: _____ Contractor: _____

Schedule No: _____ Purchase Order No: _____

MIFAB reserves the right to make changes in material and design without formal notice and obligation. USA: 1-800-465-2736 www.mifab.com CAN: 1-800-387-3880

2023-04-10