

Location: _____



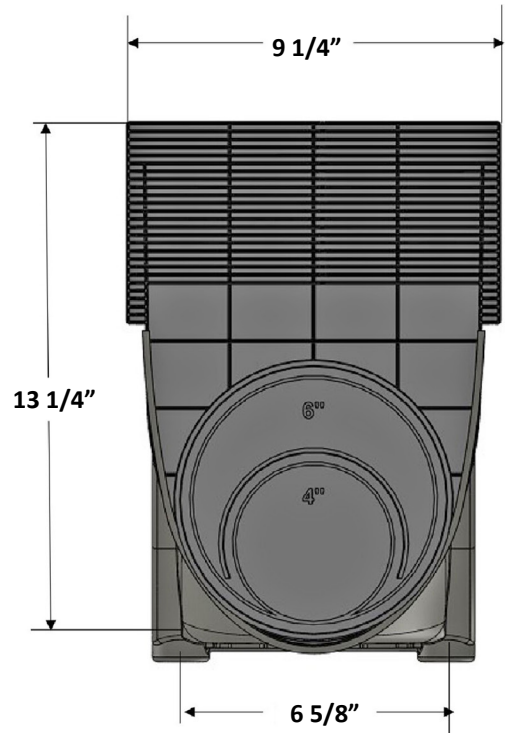
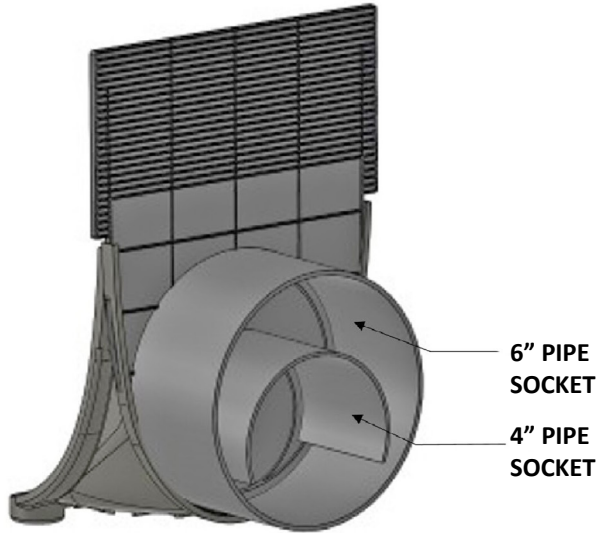
T2000-SO6

SIDE OUTLET ADAPTER AND END OUTLET ASSEMBLY FOR T2000 NEUTRAL GRP CHANNELS

Specification: MIFAB® T2000-SO6 plastic side outlet adapter and end outlet assembly for the T2000N, T2010N and T2020N neutral GRP channels. Designed to secure to the ends of these channels to have either a 4" or 6" side outlet connection.

Function: Used to provide a 90 degree end outlet connection for the T2000N, T2010N and T2020N neutral GRP channels.

It works with T2000N, T2010N, and T2020N channels.



T2000-SO6

| | |
|---------------------------|--|
| T2000-SO6 - T2000N | Combination 4" or 6" Side Outlet Connector (T2000-SIDE-ADAPT & T2000-PEO for T2000N) |
| T2010-SO6 - T2010N | Combination 4" or 6" Side Outlet Connector (T2010-SIDE-ADAPT & T2000-PEO for T2010N) |
| T2020-SO6 - T2020N | Combination 4" or 6" Side Outlet Connector (T2020-SIDE-ADAPT & T2000-PEO for T2020N) |

CALIFORNIA PROPOSITION 65 WARNING. This product contains chemicals known to the State of California to cause cancer and birth defects or other reproductive harm.

Job Name: _____ Page No: _____
Section No: _____ Contractor: _____
Schedule No: _____ Purchase Order No: _____