

Location: _____

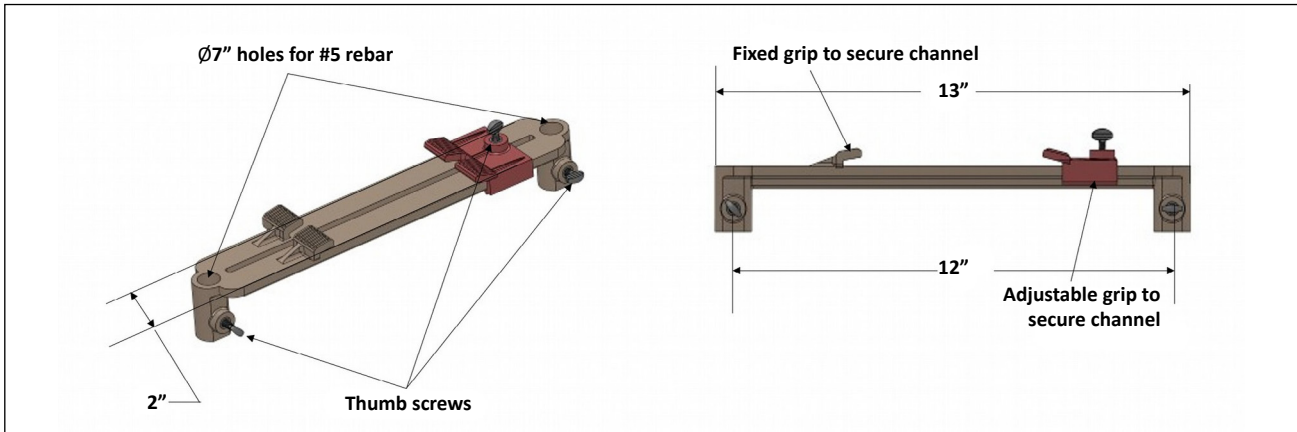


T2000-REB

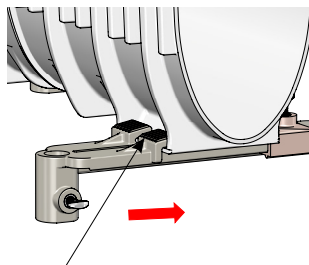
**INSTALLATION DEVICE FOR ALL
T2000 GRP CHANNELS**

Specification: MIFAB® T2000-REB plastic installation device with sliding channel grip and galvanized steel thumbscrews.

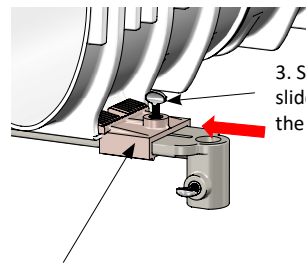
Function: Used to secure rebar / all threaded rods supporting the T2000 GRP channels. The adjustable slide channel grip secures tightly to the channel. Wing nut screws securely tighten to rebar / all threaded rods.



GRP Trench Installation Guide

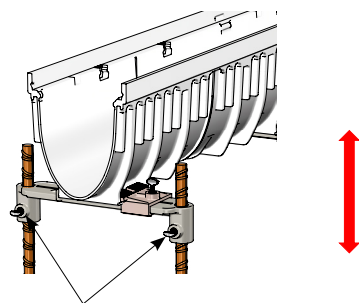


1. Ensure the installation device connects tightly to the channel.



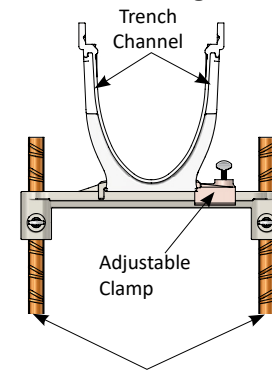
3. Secure the adjustable slide position by tightening the wing nut.

2. Push the adjustable slide against the channel lower profile until tight engagement.



4. Adjust to desired height, secure the installation device by tightening the two wing nuts.

Finished floor height to be 1/8" above the channel edge rail.



CALIFORNIA PROPOSITION 65 WARNING. This product contains chemicals known to the State of California to cause cancer and birth defects or other reproductive harm.

Job Name: _____ Page No: _____

Section No: _____ Contractor: _____

Schedule No: _____ Purchase Order No: _____