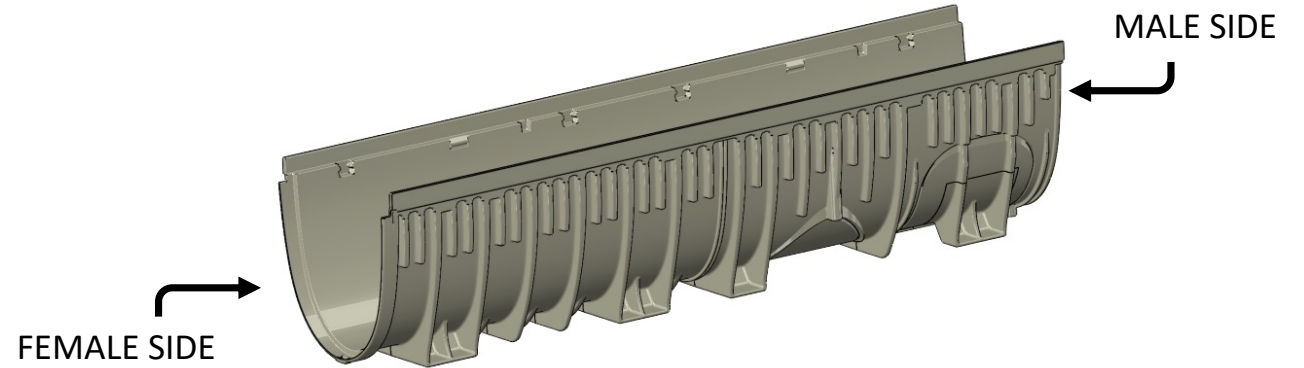


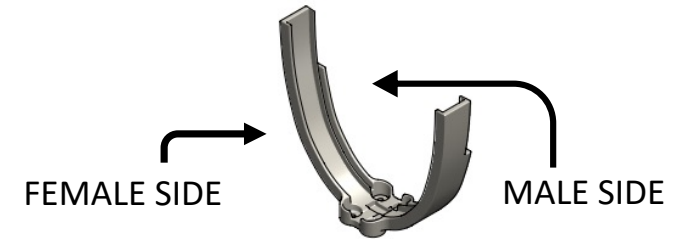
T2000-PFMC (FEMALE-TO-MALE CONNECTOR) INSTALLATION GUIDE

PARTS:

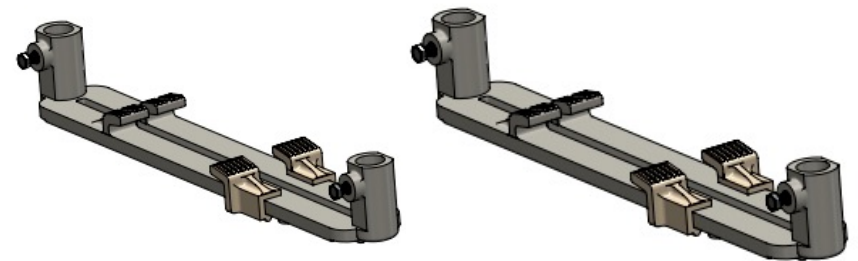
1. T2000 CHANNEL



2. T2000 FEMALE TO MALE CONNECTOR



3. REBAR SUPPORTS

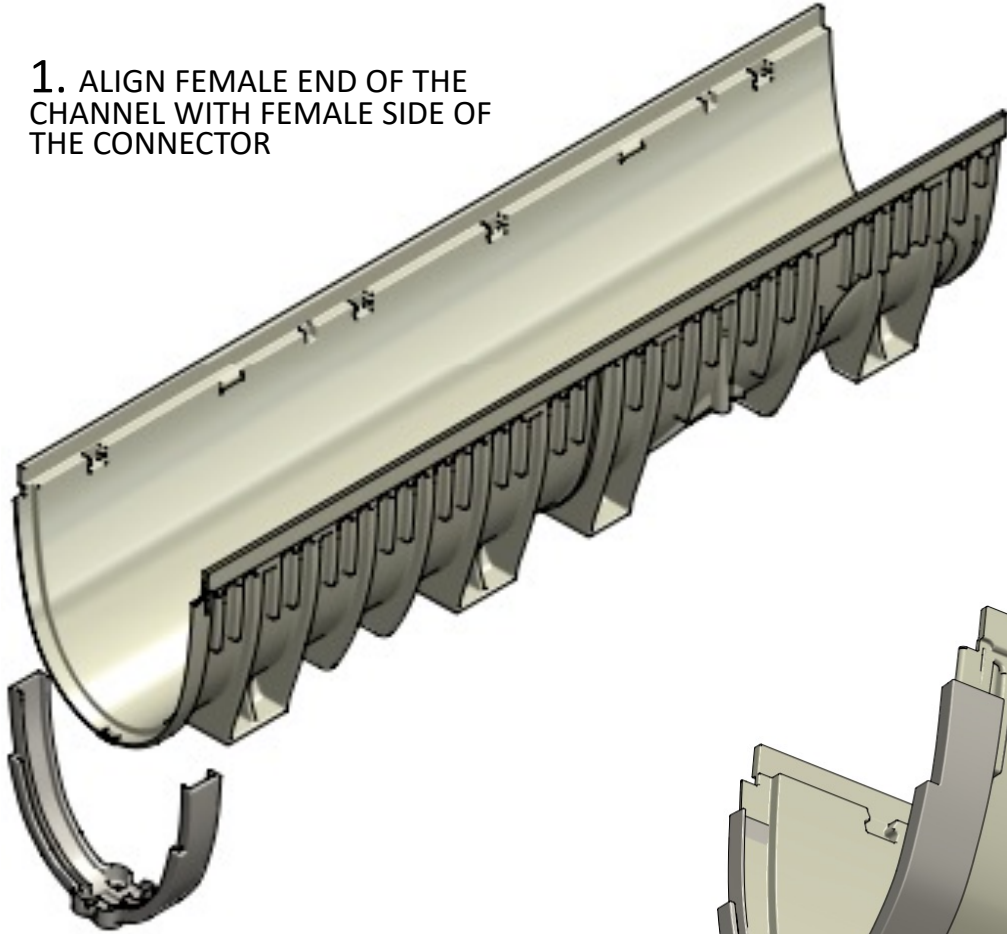


4. PHILLIPS HEAD SELF-TAPPING SCREWS FOR PLASTIC

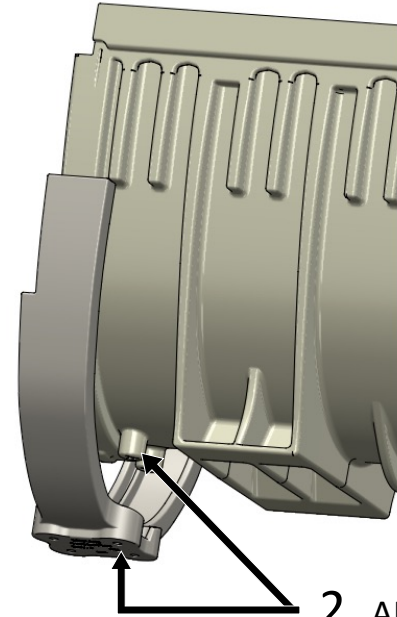


T2000-PFMC (FEMALE-TO-MALE CONNECTOR)

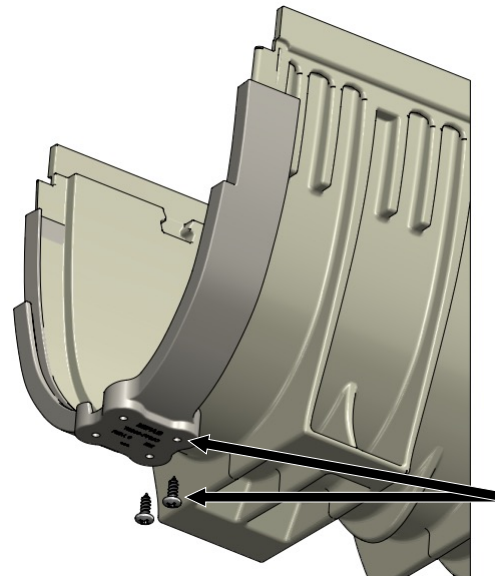
1. ALIGN FEMALE END OF THE CHANNEL WITH FEMALE SIDE OF THE CONNECTOR



2. ALIGN EMBOSEMENTS ON THE CHANNEL WITH THE SOCKS ON THE CONNECTOR.

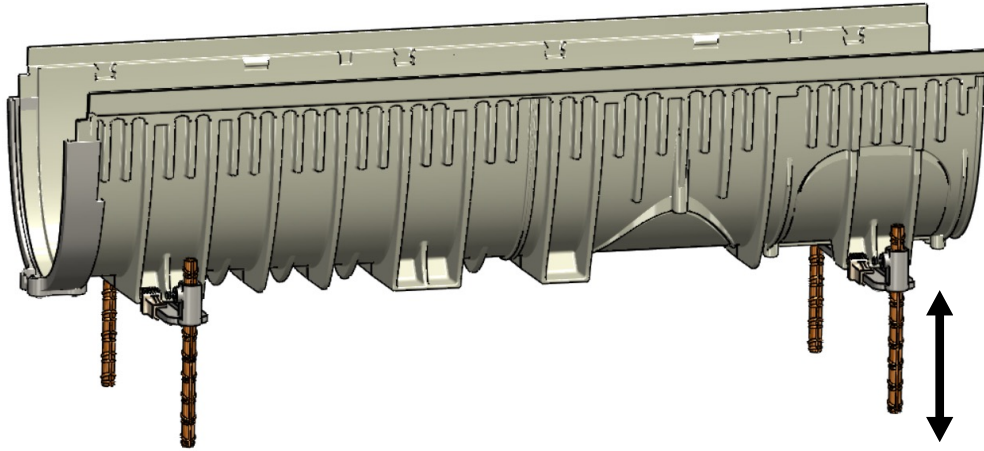


3. NEST THE CHANNEL FEMALE SIDE INTO CONNECTOR AND TIGHTEN USING THE TWO PROVIDED SCREWS

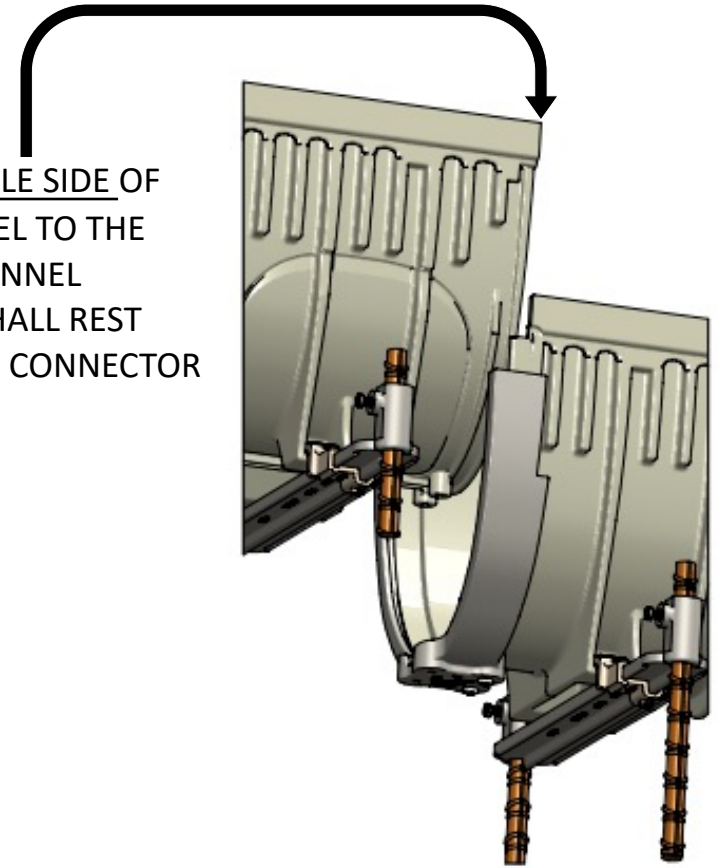


T2000-PFMC (FEMALE-TO-MALE CONNECTOR)

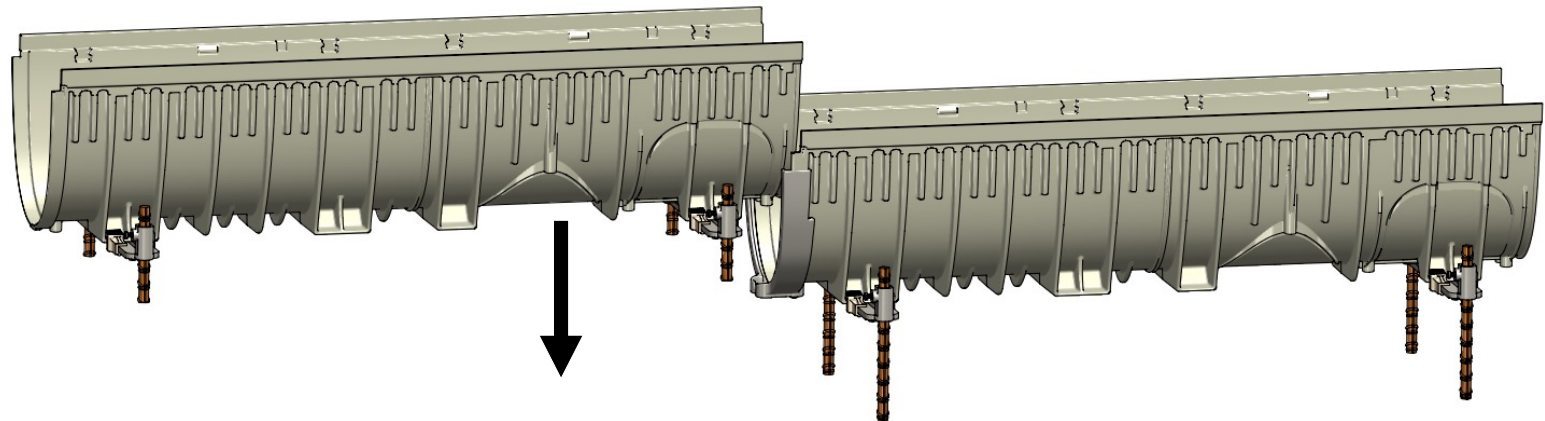
4. ATTACH THE REBAR SUPPORTS THEN ADJUST AND SECURE THE CHANNEL TO RECOMMENDED LEVEL.



5. ALIGN THE MALE SIDE OF THE NEXT CHANNEL TO THE CONNECTOR; CHANNEL NARROW EDGE SHALL REST INTO DESIGNATED CONNECTOR GROOVE.

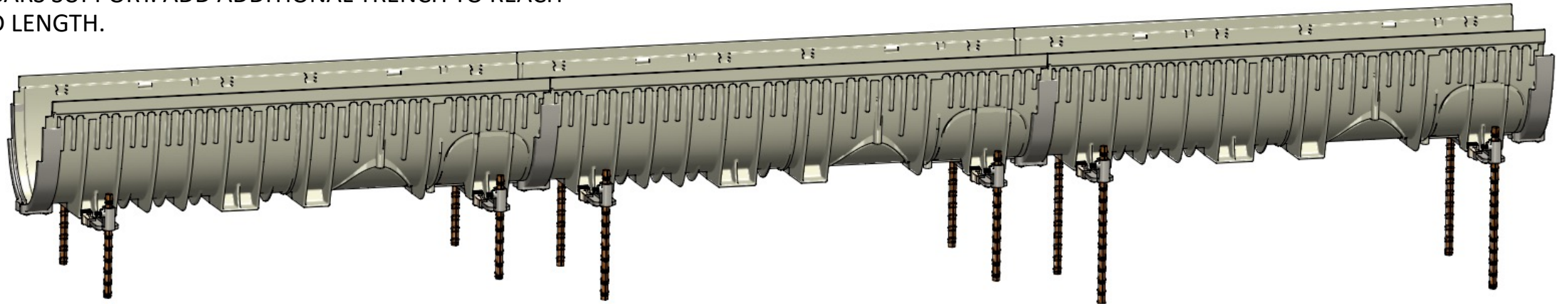


6. MAKE SURE TO ALIGN THE CHANNEL END BOSSES TO CONNECTORS CORRESPONDING SOCKET AND PUSH THE FOLLOWING CHANNEL DOWNWARD UNTIL COMPLETELY NESTED INTO THE GROOVE; THE TOP OF THE RAILS OF THE CHANNELS SHALL BE ALIGNED AND IN-LINE.



T2000-PFMC (FEMALE-TO-MALE CONNECTOR)

7. THE TWO CHANNELS CONNECTION IS NOW COMPLETE, AS BOTH ARE NOW LEVEL AND TIGHTEN IN REQUESTED POSITION BY THE REBARS SUPPORT. ADD ADDITIONAL TRENCH TO REACH DESIRED LENGTH.



8. OPTIONAL, IF SPACE UNDER CHANNEL PERMITS, TWO REMAINING SCREWS CAN BE ADDED TO TIGHT UP THE SECOND CHANNEL.

