

Location: _____



MIFAB

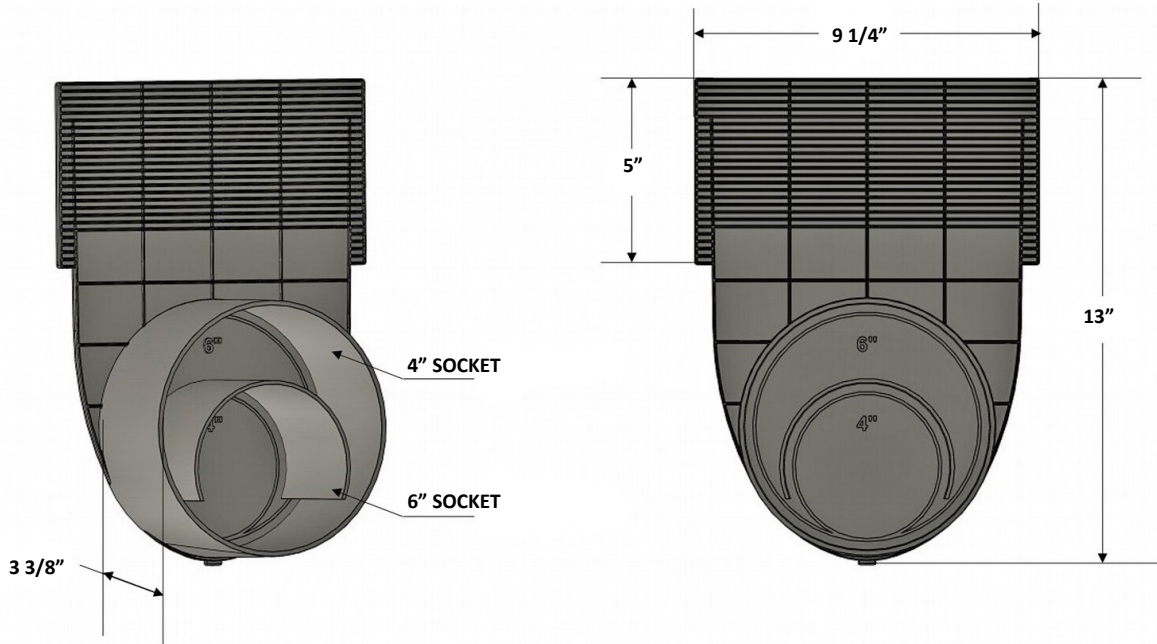
T2000-PEO

COMBINATION END OUTLET / END CAP FOR ALL T2000 GRP CHANNELS

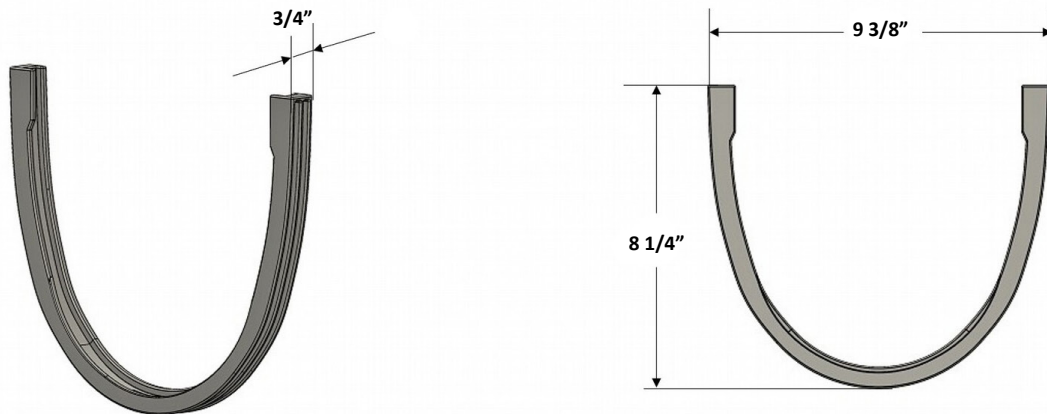
Specification: MIFAB® T2000-PEO end outlet and end cap with combined 4" or 6" socket connection outlet. Manufactured from plastic material.

Function: Used to provide an end outlet connection or end cap for MIFAB's various T2000 GRP channels. The combined 4" or 6" socket connection in the one part provides flexibility for the installer. Guide marks across the top of the part indicate where it is to be cut to match the finished height of the selected T2000 channel.

**T2000-PEO End Cap / End Outlet,
4" or 6" socket connection combination, with connector**



T2000-PECC End Cap / End Outlet channel connection



CALIFORNIA PROPOSITION 65 WARNING. This product contains chemicals known to the State of California to cause cancer and birth defects or other reproductive harm.

Job Name: _____ Page No: _____

Section No: _____ Contractor: _____

Schedule No: _____ Purchase Order No: _____