

Location:



T2000-PB-3 with Stainless Steel Integral Rail

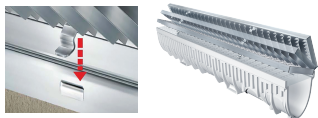
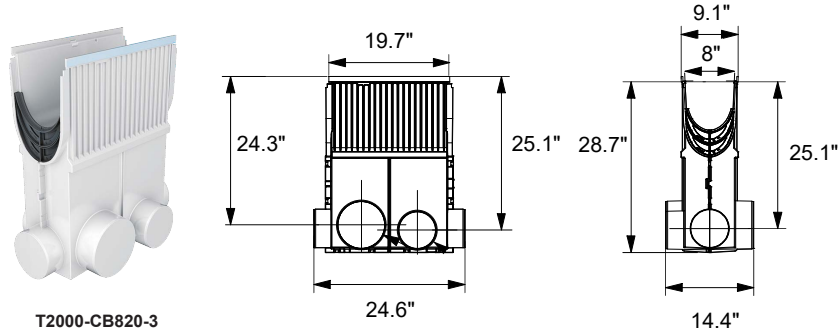
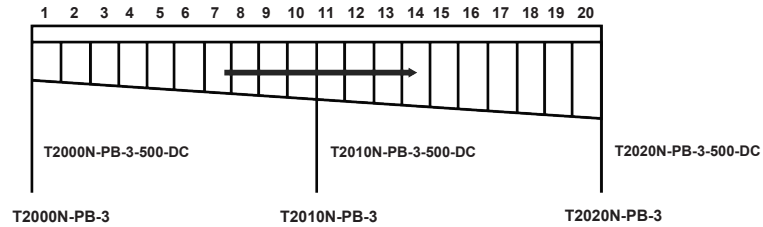
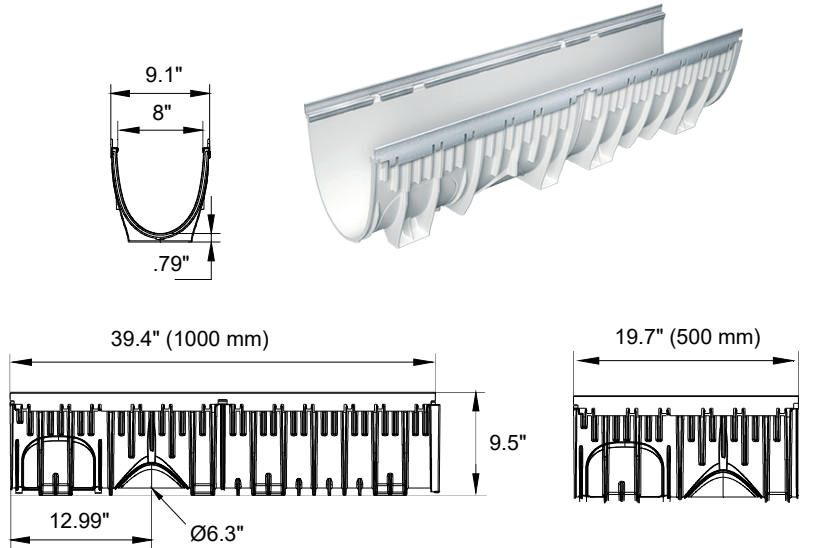


Specification:

MIFAB®'s T2000-PB-3 series channels shall be 39.4" (1000 mm) long with a 8" (200 mm) internal width and radius bottom. Interconnecting channel sections are made of high strength Glass Fiber Reinforced Polyester (GRP) and available in sloping (0.5%) and non-sloping (neutral) channels. Each channel comes with a standard 4 mm stainless steel edge rail. Directional Change Channels available at neutral locations.

Installation devices, plastic end cap/outlet cap, catch basins and bottom outlets are available accessories. Grates (separate Specification Sheets) are available in in Load Class A-E in a variety of materials. Grates utilize the patented "Clipfix" locking mechanism.

CHANNEL Model No.	BODY TYPE Sloped - .5% Neutral - 0%	INVERT BODY DEPTH		OVERALL BODY DEPTH		MAXIMUM FLOW RATE GPM	WEIGHT (LESS GRATE) Lbs.
		E1 Min.	E2 Max.	E1 Min.	E2 Max.		
T2000N-PB-3	Neutral	8.74"	8.74"	9.53"	9.53"	525	13.23
T2000N-PB-3-500	Neutral	8.74"	8.74"	9.53"	9.53"	525	7.39
T2000N-PB-3-500-DC	Neutral	8.74"	8.74"	9.53"	9.53"	525	7.39
T2001-PB-3	Sloped	8.74"	8.93"	9.53"	9.73"	580	13.36
T2002-PB-3	Sloped	8.93"	9.13"	9.73"	9.93"	605	13.52
T2003-PB-3	Sloped	9.13"	9.33"	9.93"	10.12"	632	13.69
T2004-PB-3	Sloped	9.33"	9.53"	10.12"	10.32"	650	13.86
T2005-PB-3	Sloped	9.53"	9.72"	10.32"	10.52"	686	14.03
T2006-PB-3	Sloped	9.72"	9.92"	10.52"	10.71"	715	14.19
T2007-PB-3	Sloped	9.92"	10.12"	10.71"	10.91"	759	14.36
T2008-PB-3	Sloped	10.12"	10.31"	10.91"	11.11"	789	14.53
T2009-PB-3	Sloped	10.31"	10.51"	11.11"	11.30"	819	14.70
T2010-PB-3	Sloped	10.51"	10.71"	11.30"	11.50"	850	14.86
T2010N-PB-3	Neutral	10.71"	10.71"	11.50"	11.50"	850	15.65
T2010N-PB-3-500	Neutral	10.71"	10.71"	11.50"	11.50"	850	7.83
T2010N-PB-3-500-DC	Neutral	10.71"	10.71"	11.50"	11.50"	850	7.83
T2011-PB-3	Sloped	10.71"	10.90"	11.50"	11.70"	881	15.03
T2012-PB-3	Sloped	10.90"	11.10"	11.70"	11.89"	915	15.20
T2013-PB-3	Sloped	11.10"	11.30"	11.89"	12.09"	948	15.37
T2014-PB-3	Sloped	11.30"	11.49"	12.09"	12.29"	983	15.53
T2015-PB-3	Sloped	11.49"	11.69"	12.29"	12.49"	1018	15.70
T2016-PB-3	Sloped	11.69"	11.89"	12.49"	12.68"	1052	15.87
T2017-PB-3	Sloped	11.89"	12.08"	12.68"	12.88"	1119	16.04
T2018-PB-3	Sloped	12.08"	12.28"	12.88"	13.08"	1155	16.20
T2019-PB-3	Sloped	12.28"	12.48"	13.08"	13.27"	1194	16.37
T2020-PB-3	Sloped	12.48"	12.67"	13.27"	13.47"	1233	16.54
T2020N-PB-3	Neutral	12.67"	12.67"	13.47"	13.47"	1233	17.50
T2020N-PB-3-500	Neutral	12.67"	12.67"	13.47"	13.47"	1233	8.75
T2020N-PB-3-500-DC	Neutral	12.67"	12.67"	13.47"	13.47"	1233	8.75



CLIPFIX ADVANTAGE

The MEA Glass Fiber Reinforced Polyester (GRP) channels have been designed for our universal CLIPFIX grate locking mechanism. The system (channel and grate) provides longitudinal shift protection.

6" OUTLET CATCH BASIN (8" OUTLET ALSO AVAILABLE)
Sediment bucket, 4 filler plates and end cap included

Job Name: _____	Page No: _____
Section No: _____	Contractor: _____
Schedule No: _____	Purchase Order No: _____

Revision Date: 2024-03-05

CALIFORNIA PROPOSITION 65 WARNING. This product contains chemicals known to the State of California to cause cancer and birth defects or other reproductive harm.

MIFAB reserves the right to make changes in material and design without formal notice and obligation. USA: 1-800-465-2736 www.mifab.com CAN: 1-800-387-3880