

Location: _____



T2000-PB-13

8" Glass Reinforced Polyester (GRP) Channel with Galvanized Steel Integral Rail

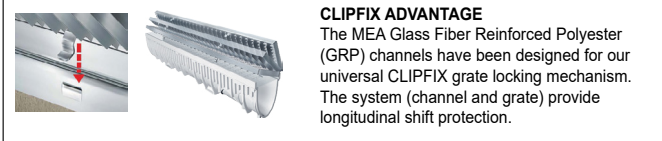
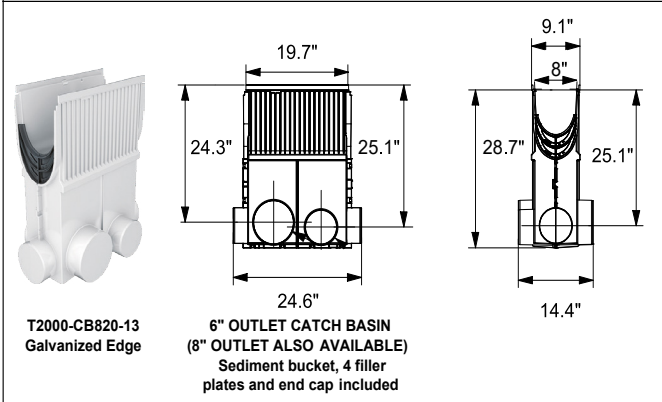
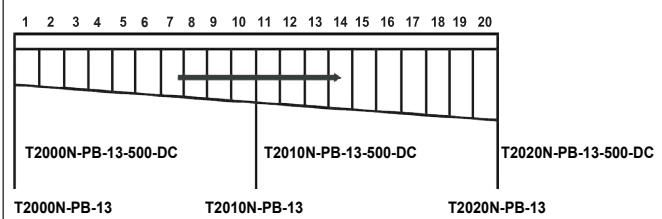
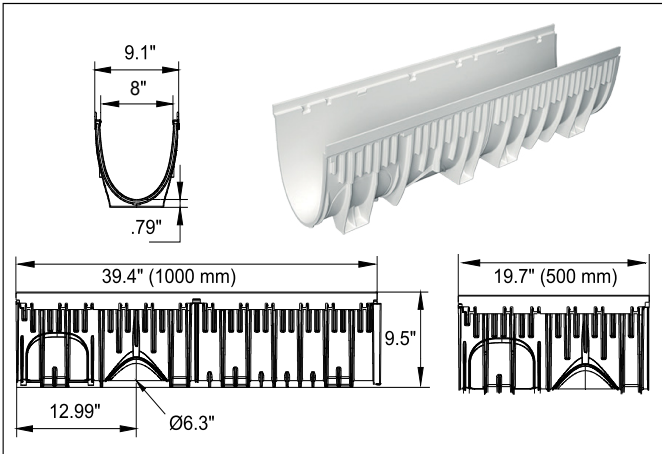


BUILDING SUCCESS

Specification: MIFAB® T2000-PB-13 series channels shall be 39.4" (1000 mm) long with a 8" (200 mm) internal width and radius bottom. Interconnecting channel sections are made of high strength Glass Fiber Reinforced Polyester (GRP) and available in sloping (0.5%) and non-sloping (neutral) channels. Each channel comes with galvanized edge rail. Directional Change Channels available at neutral locations. MIFAB's GRP channels are designed with a sealant groove in accordance with the EN1433 Standard, Section 7.5 - Connecting Channel Elements. This Standard requires all channels to have the joint between channels to be designed in such a way that it can be permanently sealed. Sealant manufacturers recommend a 3/8" bead, which the MIFAB GRP conforms to.

Installation devices, plastic end cap/outlet cap, catch basins and bottom outlets are available accessories. Grates (separate Specification Sheets) are available in in Load Class A-E in a variety of materials. Grates utilize the patented "Clipfix" locking mechanism.

Channel Model #	BODY TYPE	INVERT BODY DEPTH		OVERALL BODY DEPTH		MAXIMUM FLOW RATE GPM	WEIGHT (LESS GRATE) Lbs.	
		Sloped - .5% Neutral - 0%	E1 (Min.)	E2 (Max.)	E1 (Min.)			E2 (Max.)
T2000N-PB-13	Neutral		8.74"	8.74"	9.53"	9.53"	525	13.23
T2000N-PB-13-500	Neutral		8.74"	8.74"	9.53"	9.53"	525	7.39
T2000N-PB-13-500-DC	Neutral		8.74"	8.74"	9.53"	9.53"	525	7.39
T2001-PB-13	Sloped		8.74"	8.93"	9.53"	9.73"	580	13.36
T2002-PB-13	Sloped		8.93"	9.13"	9.73"	9.93"	605	13.52
T2003-PB-13	Sloped		9.13"	9.33"	9.93"	10.12"	632	13.69
T2004-PB-13	Sloped		9.33"	9.53"	10.12"	10.32"	650	13.86
T2005-PB-13	Sloped		9.53"	9.72"	10.32"	10.52"	686	14.03
T2006-PB-13	Sloped		9.72"	9.92"	10.52"	10.71"	715	14.19
T2007-PB-13	Sloped		9.92"	10.12"	10.71"	10.91"	759	14.36
T2008-PB-13	Sloped		10.12"	10.31"	10.91"	11.11"	789	14.53
T2009-PB-13	Sloped		10.31"	10.51"	11.11"	11.30"	819	14.70
T2010-PB-13	Sloped		10.51"	10.71"	11.30"	11.50"	850	14.86
T2010N-PB-13	Neutral		10.71"	10.71"	11.50"	11.50"	850	15.65
T2010N-PB-13-500	Neutral		10.71"	10.71"	11.50"	11.50"	850	7.83
T2010N-PB-13-500-DC	Neutral		10.71"	10.71"	11.50"	11.50"	850	7.83
T2011-PB-13	Sloped		10.71"	10.90"	11.50"	11.70"	881	15.03
T2012-PB-13	Sloped		10.90"	11.10"	11.70"	11.89"	915	15.20
T2013-PB-13	Sloped		11.10"	11.30"	11.89"	12.09"	948	15.37
T2014-PB-13	Sloped		11.30"	11.49"	12.09"	12.29"	983	15.53
T2015-PB-13	Sloped		11.49"	11.69"	12.29"	12.49"	1018	15.70
T2016-PB-13	Sloped		11.69"	11.89"	12.49"	12.68"	1052	15.87
T2017-PB-13	Sloped		11.89"	12.08"	12.68"	12.88"	1119	16.04
T2018-PB-13	Sloped		12.08"	12.28"	12.88"	13.08"	1155	16.20
T2019-PB-13	Sloped		12.28"	12.48"	13.08"	13.27"	1194	16.37
T2020-PB-13	Sloped		12.48"	12.67"	13.27"	13.47"	1233	16.54
T2020N-PB-13	Neutral		12.67"	12.67"	13.47"	13.47"	1233	17.50
T2020N-PB-13-500	Neutral		12.67"	12.67"	13.47"	13.47"	1233	8.75
T2020N-PB-13-500-DC	Neutral		12.67"	12.67"	13.47"	13.47"	1233	8.75



CALIFORNIA PROPOSITION 65 WARNING. This product contains chemicals known to the State of California to cause cancer and birth defects or other reproductive harm.

Job Name: _____ Page No: _____
 Section No: _____ Contractor: _____
 Schedule No: _____ Purchase Order No: _____