

Location:



T2000-CB820, T2000-CB820-13 and T2000-CB820-3 Catch Basin



Specification:

MIFAB®'s T2000-CB820 catch basin shall be 19.7"(500mm) long and have a 8" (200mm) internal width. The catch basin is 28.7" deep. It is available with a 6" or 8" outlet. A sediment bucket is included with every catch basin. The catch basin is made from High Strength Glass Reinforced Polyester (GRP). Each catch basin comes with either no edge rail, galvanized edge or stainless steel edge rail. The catch basins achieve Load Class A-E depending on the grate utilized.



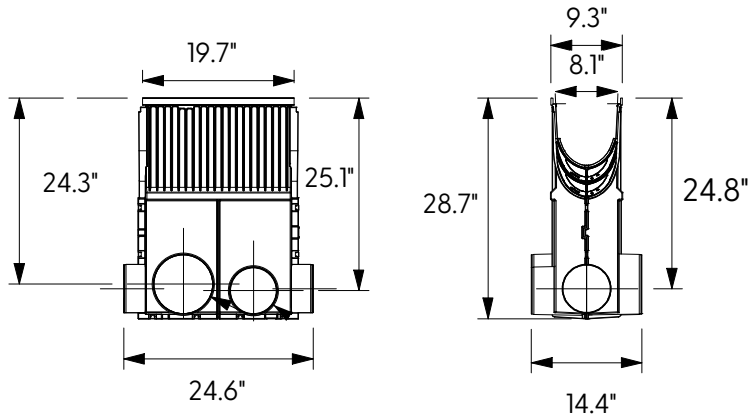
T2000-CB820
No Edge Rail



T2000-CB820-13
Galvanized Edge Rail



T2000-CB820-3
Stainless Steel Edge Rail



6" OUTLET CATCH BASIN
(8" OUTLET ALSO AVAILABLE)
Sediment bucket included

NO EDGE INTEGRAL RAILS	GALVANIZED STEEL INTEGRAL RAILS	STAINLESS STEEL INTEGRAL RAILS
T2000-CB820	T2000-C8620-13	T2000-C8620-3

Job Name: _____	Page No: _____
Section No: _____	Contractor: _____
Schedule No: _____	Purchase Order No: _____

Revision Date: 2022-09-23

CALIFORNIA PROPOSITION 65 WARNING. This product contains chemicals known to the State of California to cause cancer and birth defects or other reproductive harm.

MIFAB reserves the right to make changes in material and design without formal notice and obligation. USA: 1-800-465-2736 www.mifab.com CAN: 1-800-387-3880